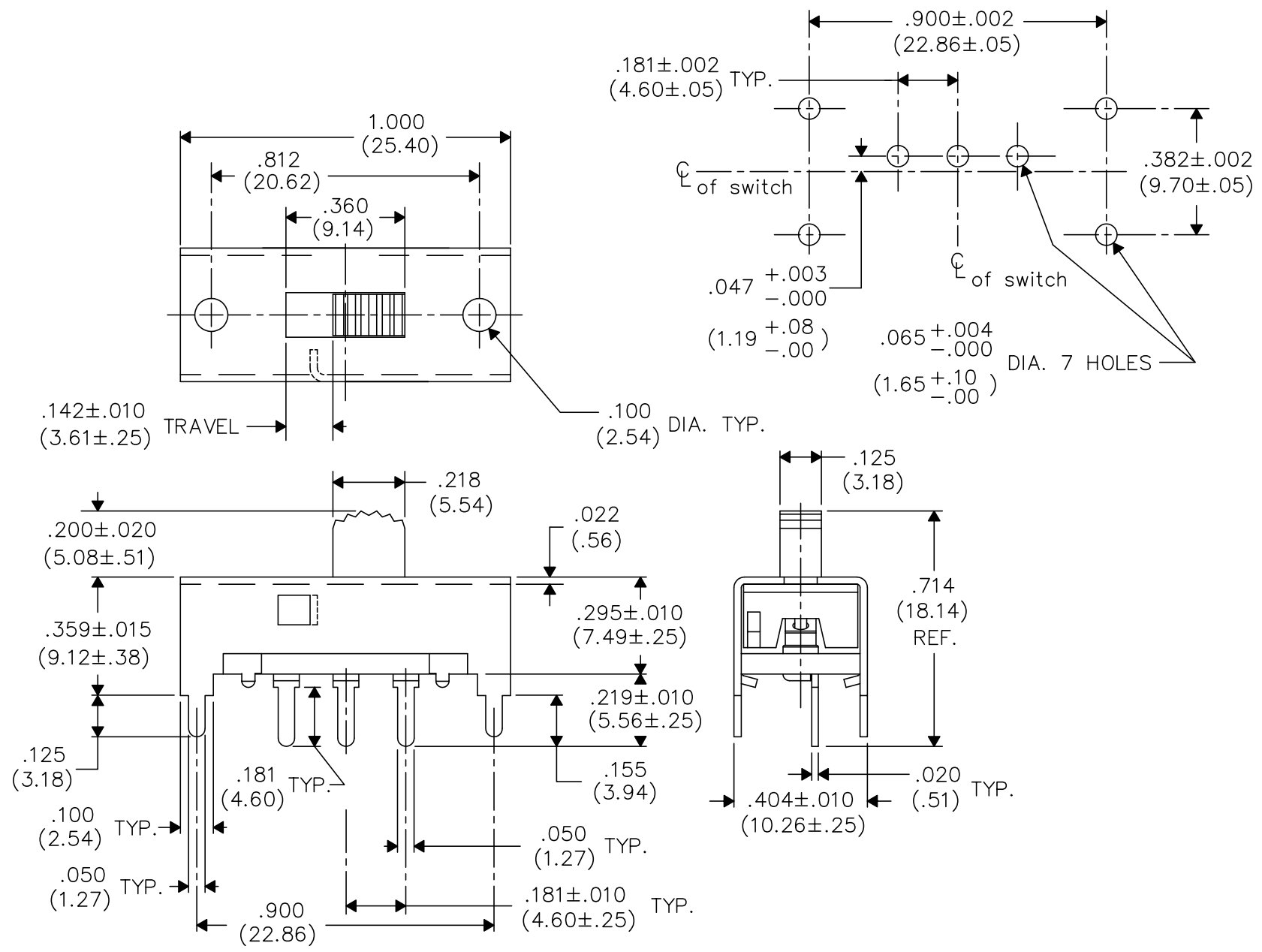


P.C. LAYOUT



1	2	3	4	5	6	7	8	9	10
---	---	---	---	---	---	---	---	---	----

B-FORMAT 2002  
REVISIONS  
O  
RELEASED.  
DGW 11-10-2003  
Nov. 25, 2003

**CW INDUSTRIES**  
Southampton, Pa. 18966

TOLERANCES UNLESS OTHERWISE SPECIFIED

2 Place Decimal ±.010	METRIC
3 Place Decimal ±.005	1 Place Dec. ±.25mm
Angles ..... ±1°	2 Place Dec. ±.13mm

Made for: CW IND.  
Drawn by: DGW 11-10-2003  
Checked by: GG 11-25-03  
Approval: BF 11-25-3

Title: MINI SWITCH ASSEMBLY  
S.P.- D.T. SR

Division: SWITCH

Dwg. No. GP-132-0000

PDF File Made