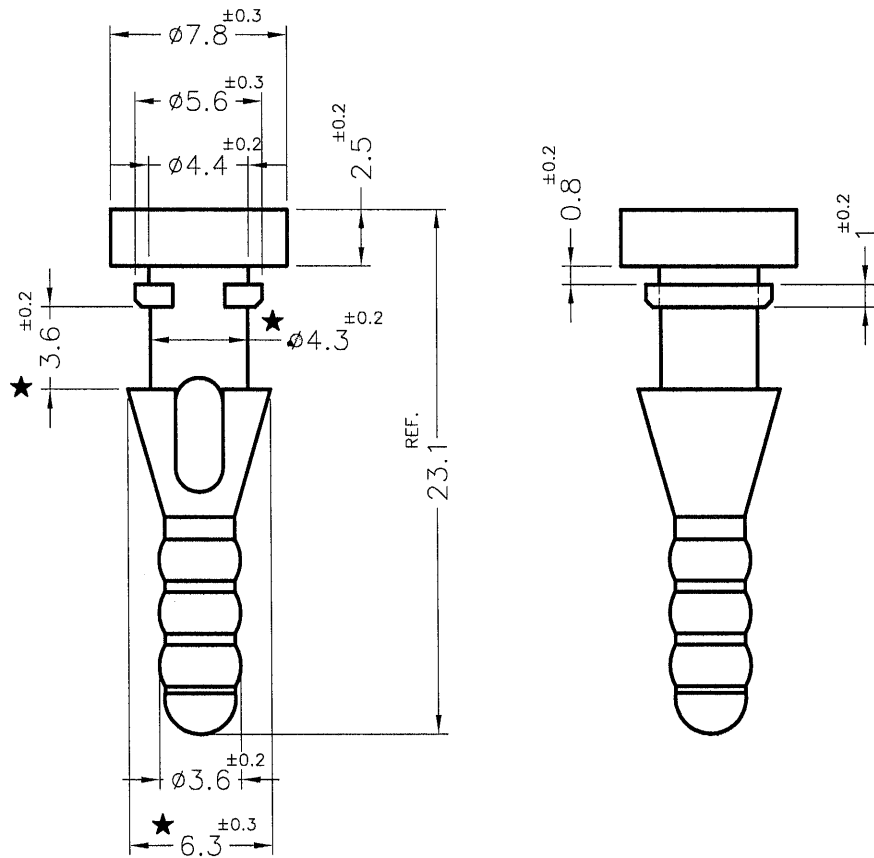


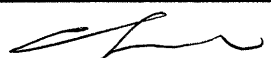


REVISIONS			
REV	DESCRIPTION	DATE	BY



PART NO.	HARDNESS
BUB-22G	45°±10°
BUB-22H	55°±10°

NOTE: ALL MEASUREMENT DOES NOT INCLUDE GATE WHICH RAISES UNDER 1.2mm  
 所有尺寸量測皆不含進膠口, 膠口凸出1.2mm之內.

 <p>康揚企業股份有限公司          KANG YANG HARDWARE ENTERPRISE CO., LTD.          康揚塑膠(東莞)有限公司          KANG YANG PLASTIC(DONG GUAN) CO., LTD.          康哲電腦配件(吳江)有限公司          KANG CHE COMPUTER COMPONENTS(WUJIANG) CO., LTD.</p>	TITLE		FAN SNAP RIVET		SPEC. DWG.		
	MATERIAL		TPE		DATE		2006.09.20
	HARDNESS		SEE ABOVE		DRAWN		leeya
	COLOR		BLACK		CHECK		
PART NUMBER		DRAWING NUMBER		UNLESS OTHERWISE SPECIFIED TOLERANCE		APPROVED	
SEE ABOVE		BUB-22		SEE ABOVE			
SIZE	SCALE	UNIT	REV				
A4	3:1	mm	C				