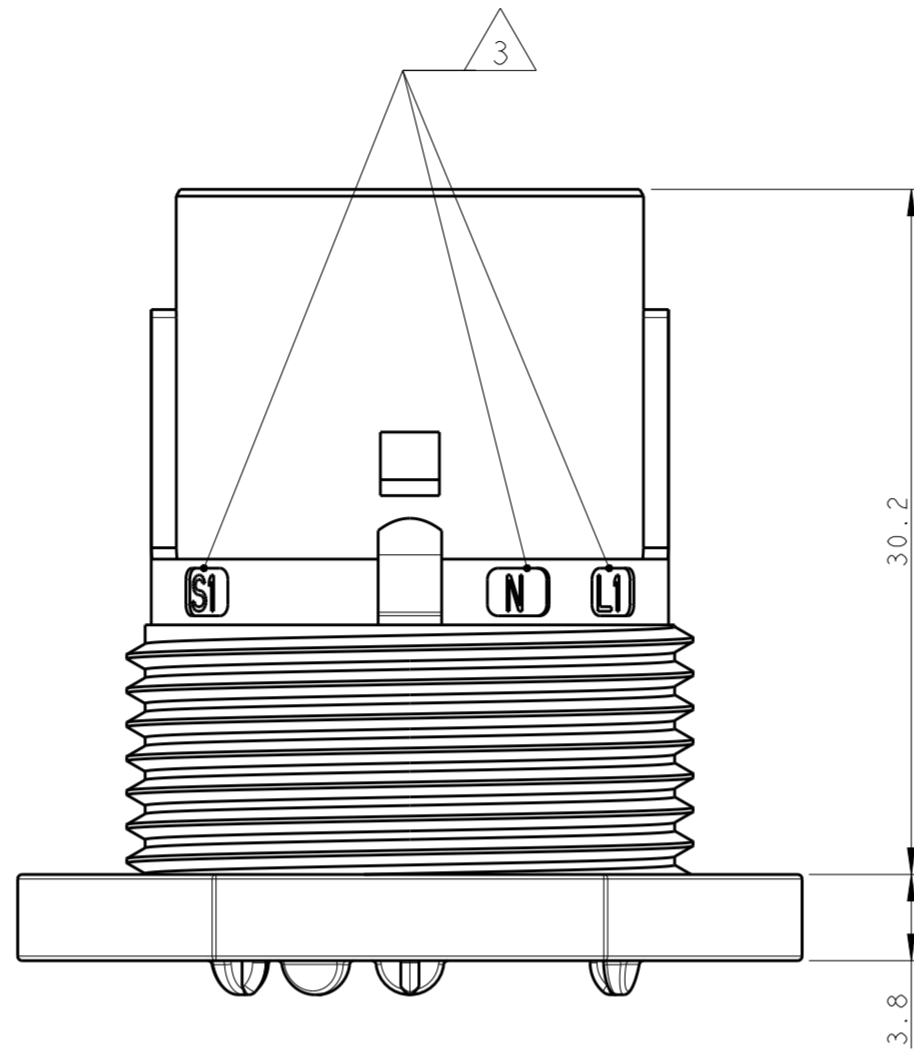
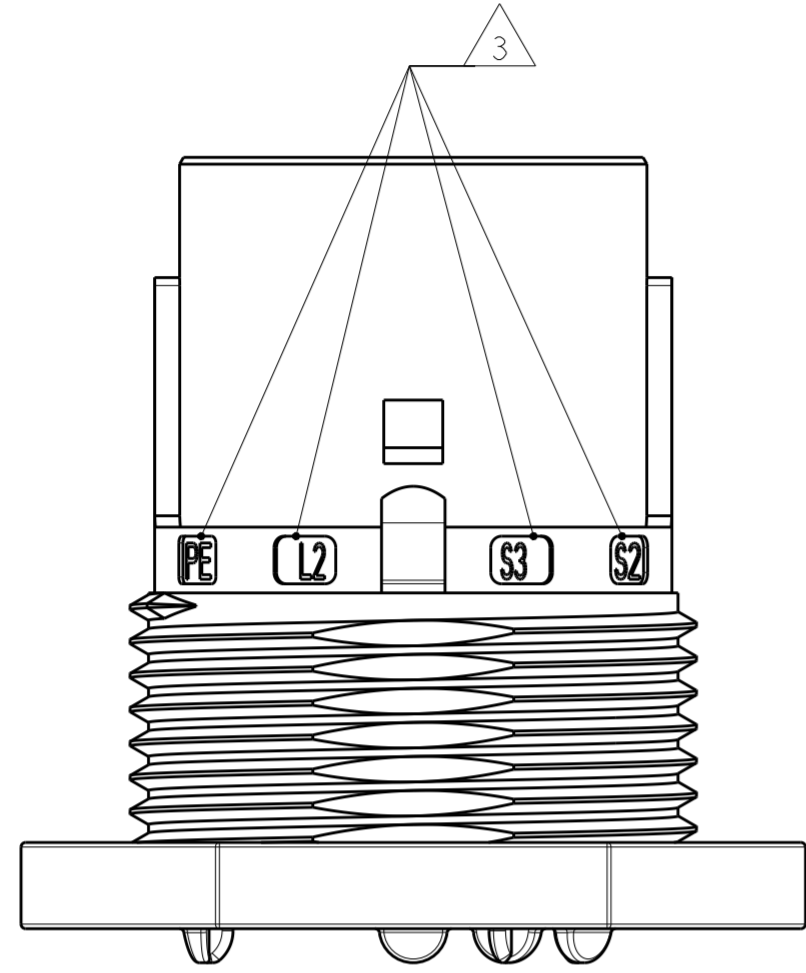


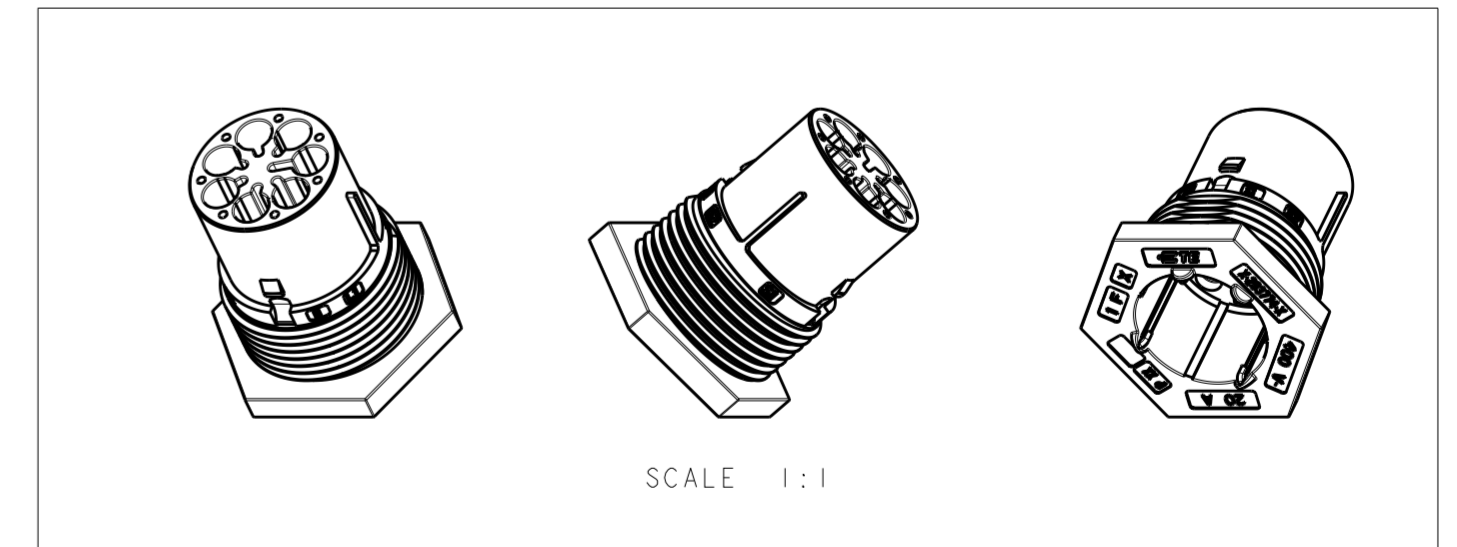
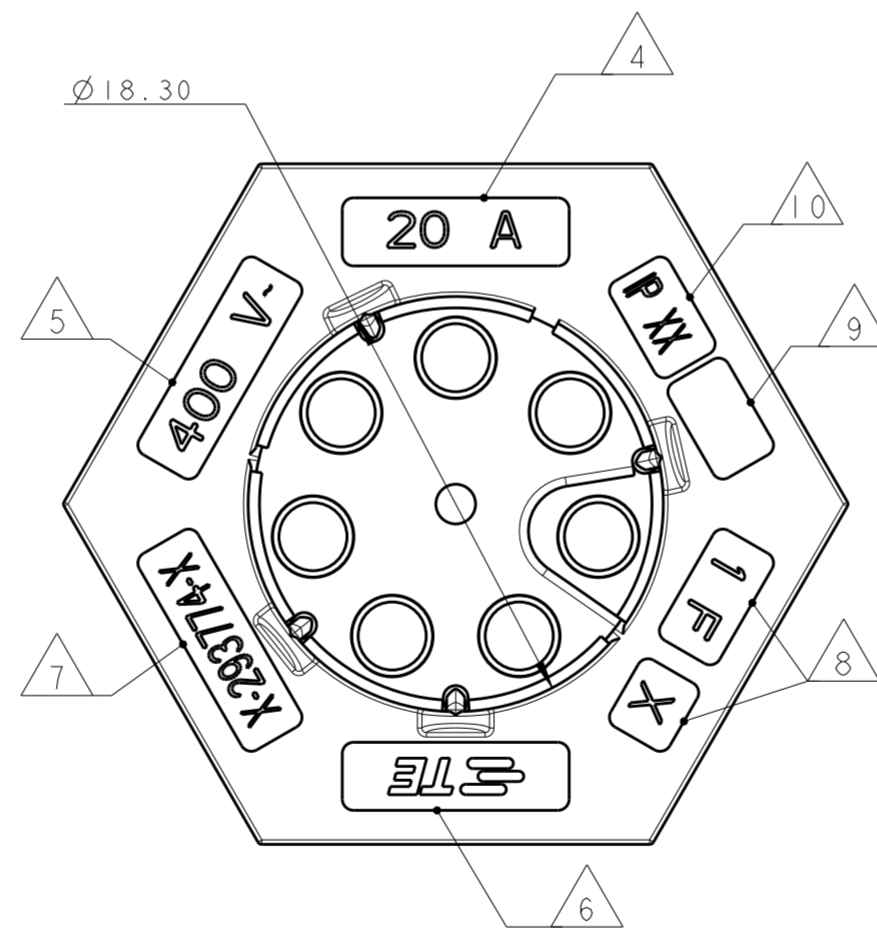
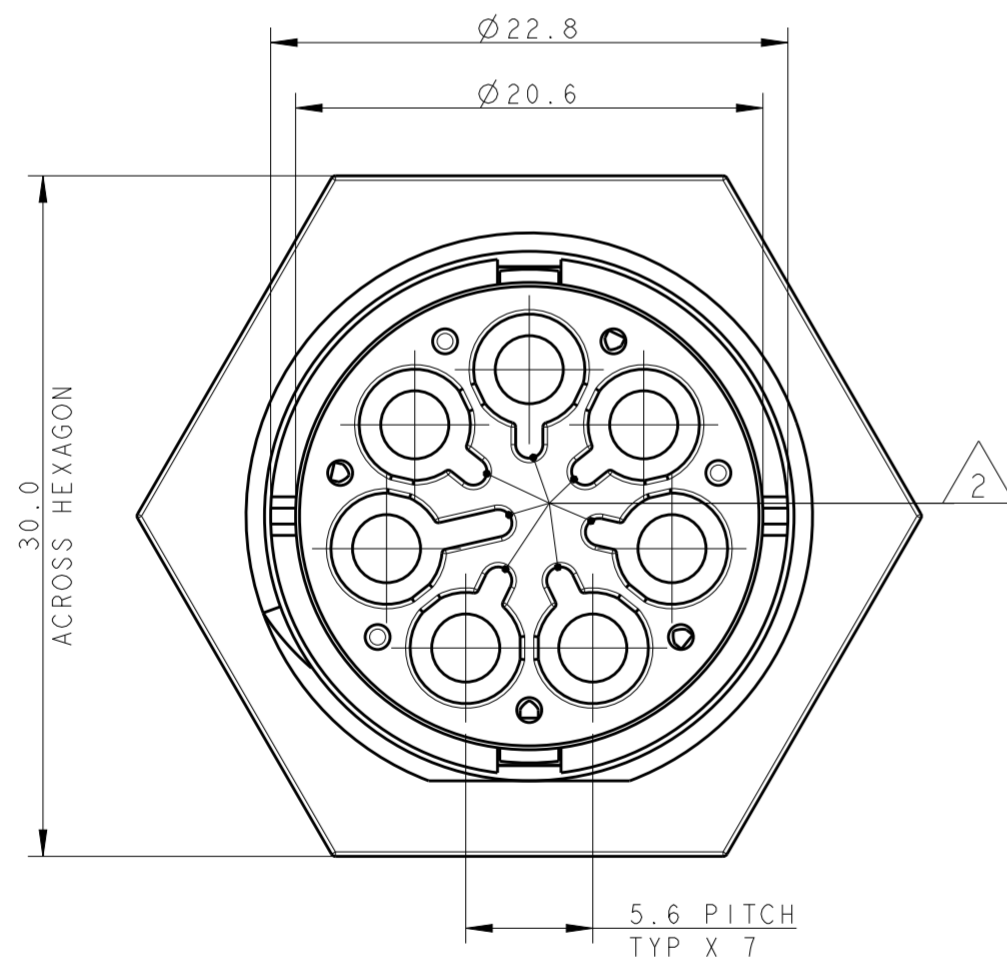
THIS DRAWING IS UNPUBLISHED. RELEASED FOR PUBLICATION 2011
 © COPYRIGHT 2011 BY - ALL RIGHTS RESERVED.


LOC	DIST	REVISIONS					
		P	LTR	DESCRIPTION	DATE	DWN	APVD
			3	UPDATED	22JUL2013	MZ	JC
			4	REVISED LATCH SHAPE	02AUG2013	KR	JC
			A	PARTS RELEASED FOR PRODUCTION	14NOV2013	MZ	JC
			AI	REVISED PER ECR-18-006945	30MAY2018	NG	MZ



NOTES:

- 1 MATERIAL: PA GF (NATURAL AND BLACK COLOUR)
- 2 ALL POLARIZATION KEYS SHOWN FOR REF ONLY
- 3 WAYS I.D.
- 4 CURRENT RATING
- 5 VOLTAGE RATING
- 6 TE LOGO
- 7 TE PART NUMBER
- 8 DATA CODE AND CAVITY I.D.
- 9 AREA FOR AGENCIES APPROVAL LOGO
- 10 IP CODE



THIS DRAWING IS A CONTROLLED DOCUMENT.		DWN A. BERNARDI 31MAR2011	 TE Connectivity	
DIMENSIONS: mm		CHK M. ZUCCA 31MAR2011		
TOLERANCES UNLESS OTHERWISE SPECIFIED:		APVD G. TURCO 31MAR2011	NAME PIN HOUSING 7 POLES PANEL MOUNT M-LINE NECTOR	
0 PLC ± 1 PLC ±0.3 2 PLC ±0.20 3 PLC ± 4 PLC ± ANGLES ±3° FINISH		PRODUCT SPEC -	SIZE A20779	DRAWING NO C-293774
MATERIAL -		APPLICATION SPEC -	RESTRICTED TO -	SCALE 3:1
-		WEIGHT -	CAGE CODE A20779	SHEET 1 OF 3
-		Customer Drawing	REV AI	

THIS DRAWING IS UNPUBLISHED. RELEASED FOR PUBLICATION 2011
 © COPYRIGHT 2011 BY - ALL RIGHTS RESERVED.

LOC		DIST		REVISIONS			
P	LTR	DESCRIPTION	DATE	DWN	APVD		
-		SEE SHEET 1					

POLARIZATION TYPES

POLARIZATION TYPE "A"	POLARIZATION TYPE "B"	POLARIZATION TYPE "C"
PNs 0-293774-1 AND 1-293774-1	PNs 0-293774-2 AND 1-293774-2	PNs 0-293774-3 AND 1-293774-3
POLARIZATION TYPE "D"	POLARIZATION TYPE "E"	
PNs 0-293774-4 AND 1-293774-4	PNs 0-293774-5 AND 1-293774-5	

TABLE 1

NOTE	POL. KEYING	COLOUR	DESCRIPTION	REV.	P/N
			PIN HSG 7 POLE PANEL MOUNT NECTOR* M-LINE	A	1-293774-5
			PIN HSG 7 POLE PANEL MOUNT NECTOR* M-LINE	A	1-293774-4
			PIN HSG 7 POLE PANEL MOUNT NECTOR* M-LINE	A	1-293774-3
			PIN HSG 7 POLE PANEL MOUNT NECTOR* M-LINE	A	1-293774-2
			PIN HSG 7 POLE PANEL MOUNT NECTOR* M-LINE	A	1-293774-1
			PIN HSG 7 POLE PANEL MOUNT NECTOR* M-LINE	A	0-293774-5
			PIN HSG 7 POLE PANEL MOUNT NECTOR* M-LINE	A	0-293774-4
			PIN HSG 7 POLE PANEL MOUNT NECTOR* M-LINE	A	0-293774-3
			PIN HSG 7 POLE PANEL MOUNT NECTOR* M-LINE	A	0-293774-2
			PIN HSG 7 POLE PANEL MOUNT NECTOR* M-LINE	A	0-293774-1

THIS DRAWING IS A CONTROLLED DOCUMENT.

DWN	A. BERNARDI	31MAR2011
CHK	M. ZUCCA	31MAR2011
APVD	G. TURCO	31MAR2011

STE TE Connectivity

NAME: PIN HOUSING 7 POLES PANEL MOUNT M-LINE NECTOR

SIZE	CAGE CODE	DRAWING NO	RESTRICTED TO
A2	0779	C-293774	-

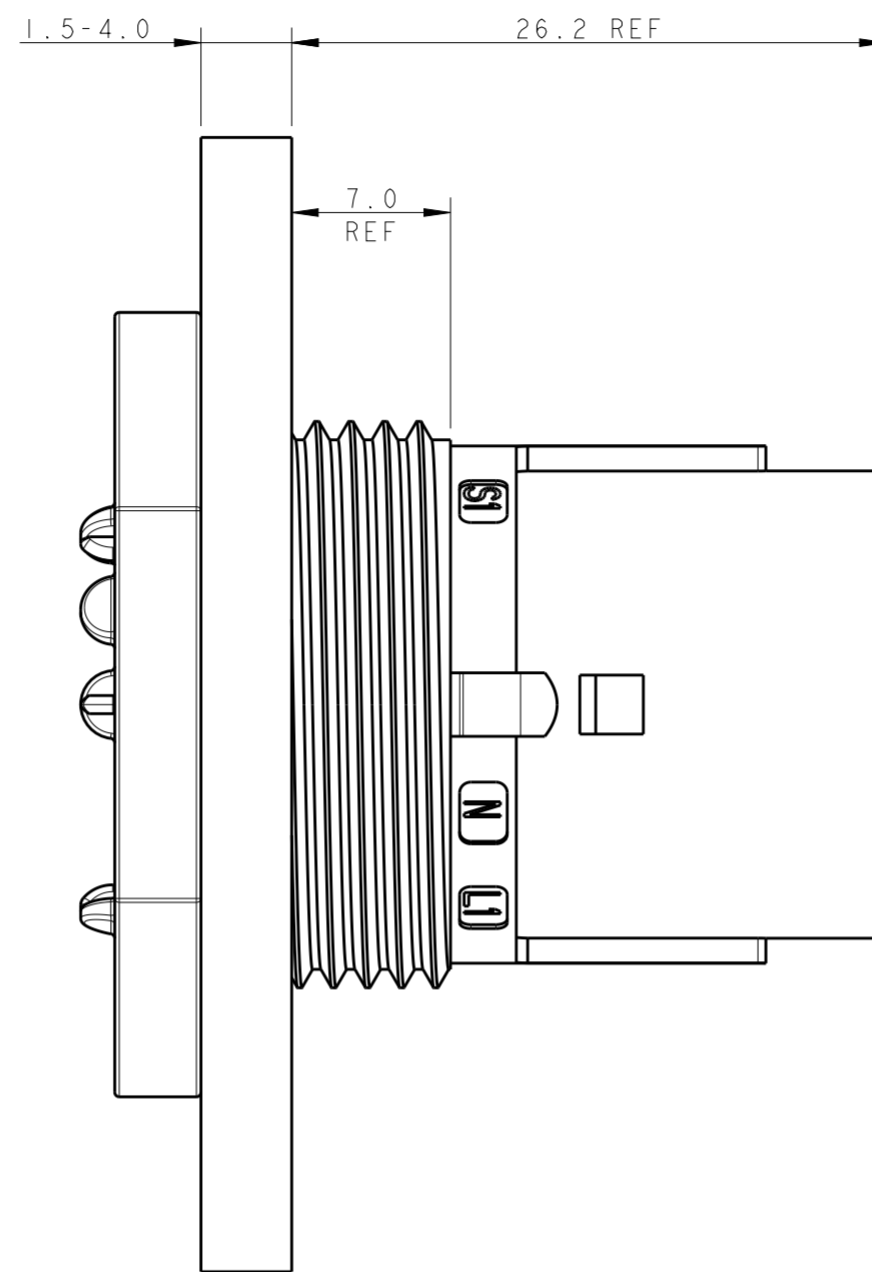
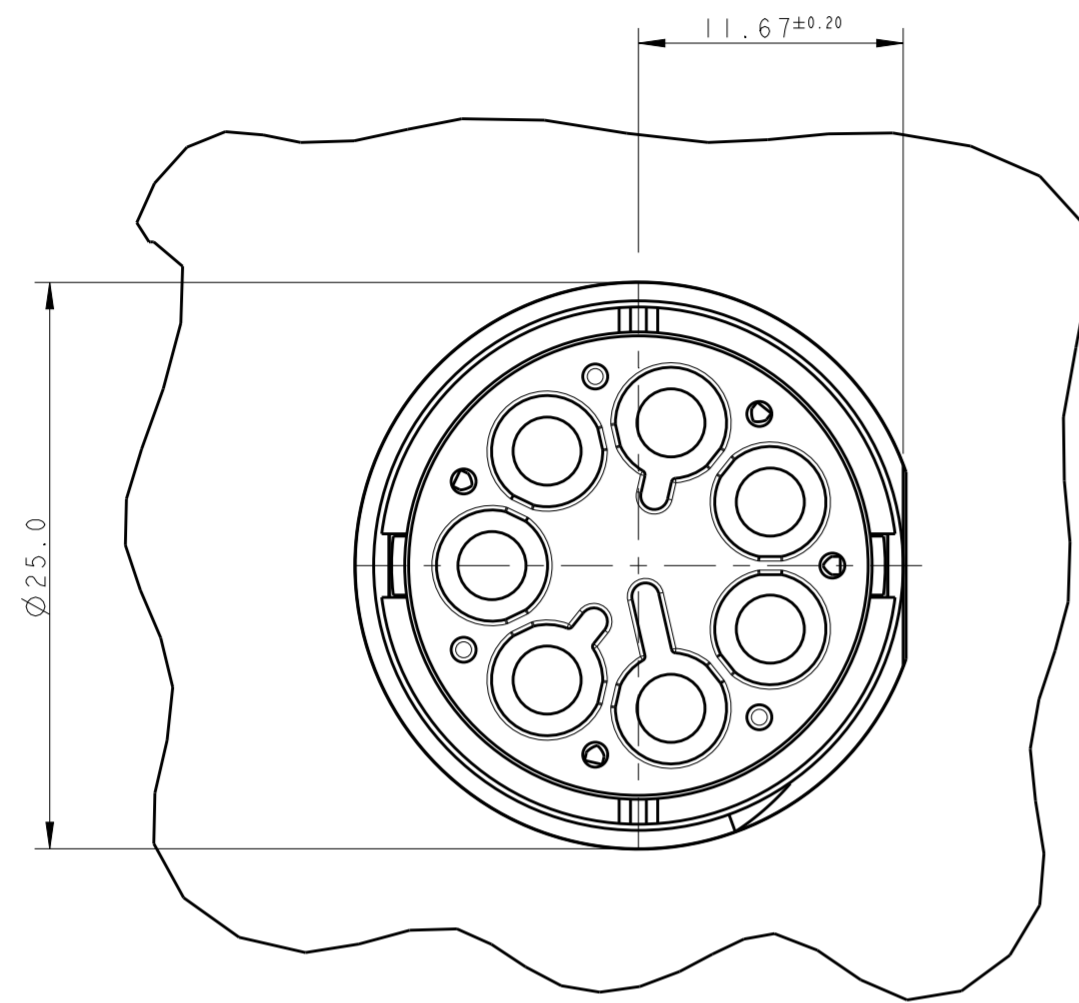
Customer Drawing SCALE 3:1 SHEET 2 OF 3 REV A1

DIMENSIONS:	TOLERANCES UNLESS OTHERWISE SPECIFIED:
mm	0 PLC ±
	1 PLC ±0.3
	2 PLC ±0.20
	3 PLC ±
	4 PLC ±
	ANGLES ±3°
MATERIAL	FINISH
-	-

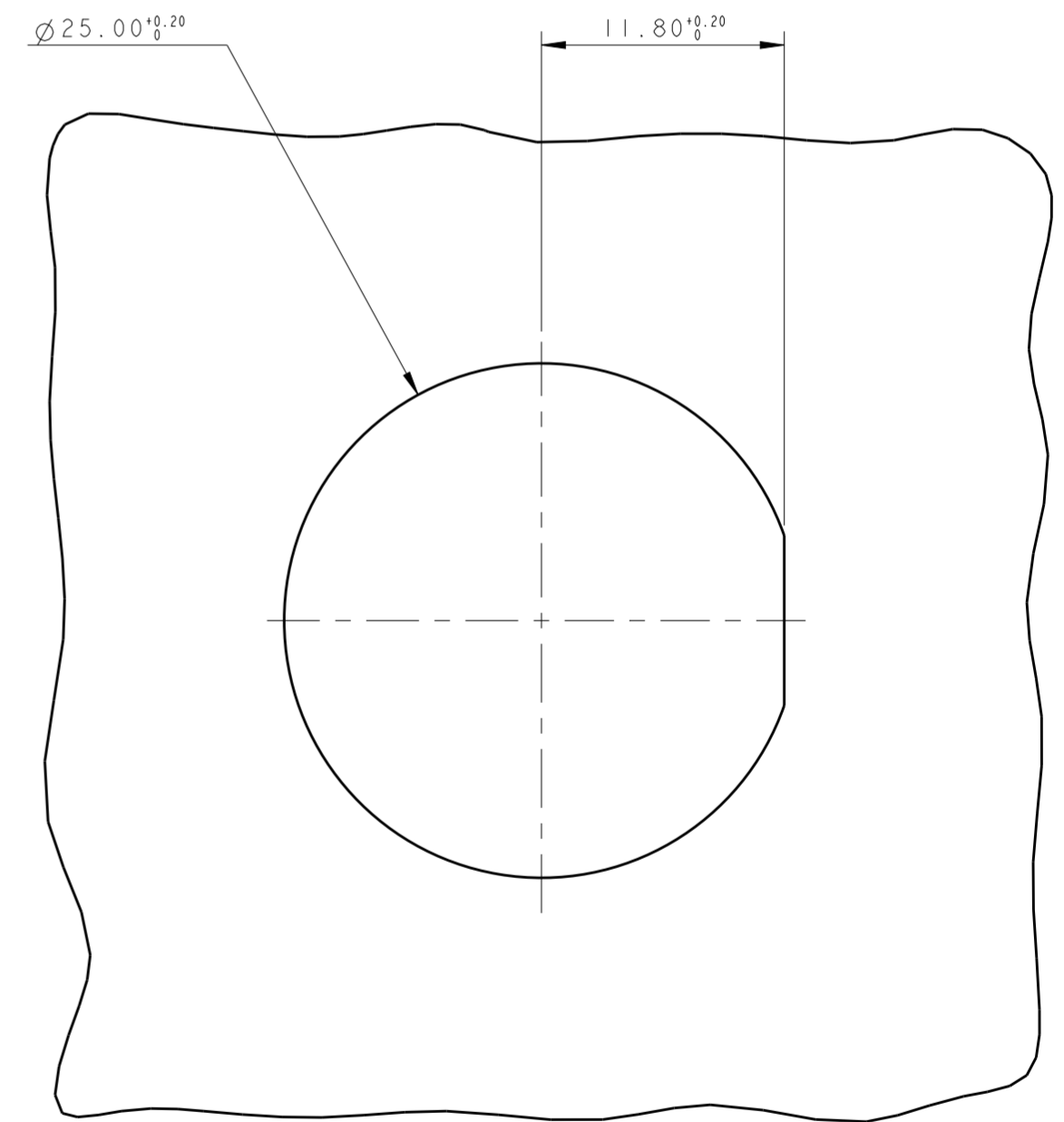
THIS DRAWING IS UNPUBLISHED. RELEASED FOR PUBLICATION 2011
 © COPYRIGHT 2011 BY - ALL RIGHTS RESERVED.

LOC		DIST		REVISIONS			
P	LTR	DESCRIPTION	DATE	DWN	APVD		
-	-	SEE SHEET 1	-	-	-		

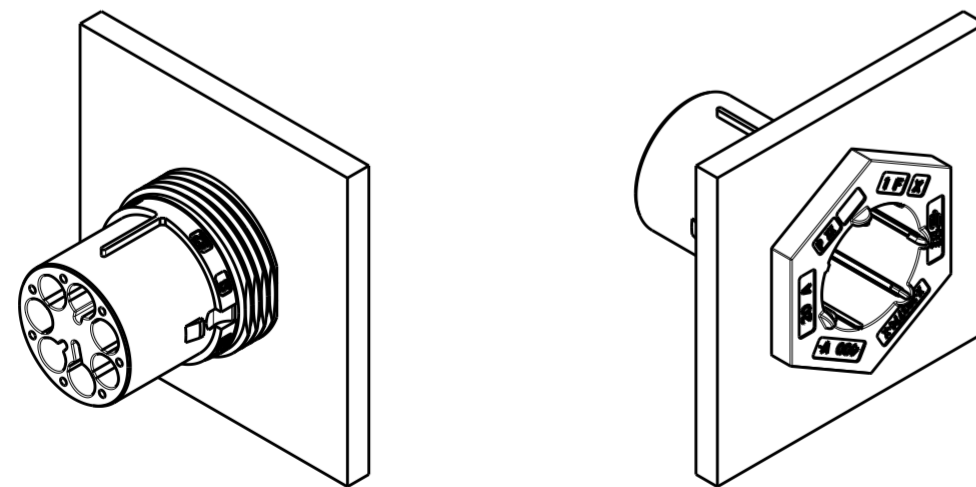
PN 293774-3 AS SHOWN




PANEL/WALL SUGGESTED LAYOUT



3D VIEWS FOR REFERENCE ONLY
 PN 293774-3 AS SHOWN



SCALE 1:1

THIS DRAWING IS A CONTROLLED DOCUMENT.		DWN A. BERNARDI 31MAR2011	 TE Connectivity	
DIMENSIONS: mm		CHK M. ZUCCA 31MAR2011		
TOLERANCES UNLESS OTHERWISE SPECIFIED:		APVD G. TURCO 31MAR2011	NAME PIN HOUSING 7 POLES PANEL MOUNT M-LINE NECTOR	
0 PLC ±		PRODUCT SPEC	SIZE	
1 PLC ±0.3		APPLICATION SPEC	CAGE CODE	
2 PLC ±0.20		WEIGHT	DRAWING NO	
3 PLC ±		Customer Drawing	A200779C-293774	
4 PLC ±		SCALE 3:1	SHEET 3 OF 3	
ANGLES ±3°		REV A1	RESTRICTED TO	
FINISH		-		