

CTHC1812SF Series

From 1.0 μ H to 680 μ H



SPECIFICATIONS

Please specify tolerance code when ordering.
CTHC1812SF-1R0_ ← J = $\pm 5\%$, K = $\pm 10\%$, M = $\pm 20\%$

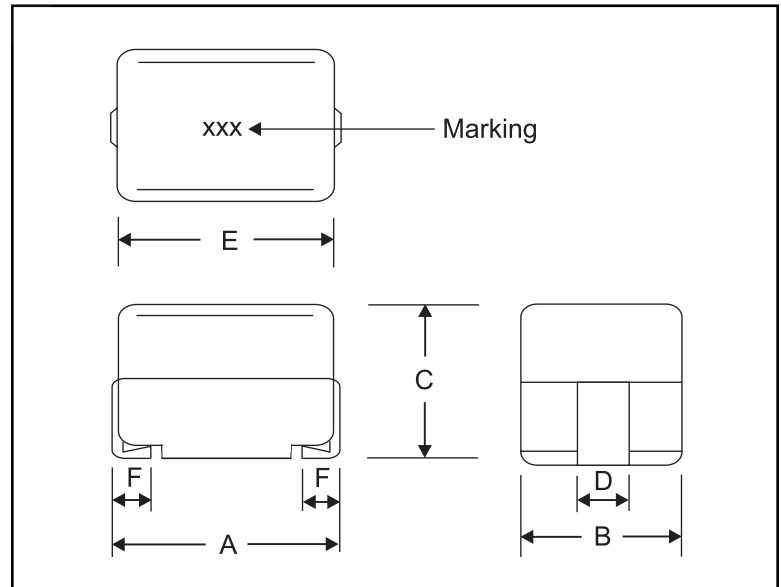
Part Number	Inductance (μ H)	L/Q Test Freq. (MHz)	Q Fact. Min.	SRF Typ. (MHz)	DCR Max. (Ω)	Rated DC Max. (mA)
CTHC1812SF-1R0_	1.0	7.96	10	265	0.11	1050
CTHC1812SF-1R2_	1.2	7.96	10	180	0.12	1000
CTHC1812SF-1R5_	1.5	7.96	10	170	0.15	950
CTHC1812SF-1R8_	1.8	7.96	10	105	0.16	900
CTHC1812SF-2R2_	2.2	7.96	10	80	0.18	850
CTHC1812SF-2R7_	2.7	7.96	10	60	0.20	800
CTHC1812SF-3R3_	3.3	7.96	10	55	0.22	750
CTHC1812SF-3R9_	3.9	7.96	10	45	0.24	700
CTHC1812SF-4R7_	4.7	7.96	10	43	0.27	650
CTHC1812SF-5R6_	5.6	7.96	10	40	0.30	650
CTHC1812SF-6R8_	6.8	7.96	10	35	0.35	600
CTHC1812SF-8R2_	8.2	7.96	10	30	0.40	600
CTHC1812SF-100_	10	2.52	10	27	0.50	550
CTHC1812SF-120_	12	2.52	10	25	0.60	500
CTHC1812SF-150_	15	2.52	10	20	0.70	450
CTHC1812SF-180_	18	2.52	10	19	0.80	400
CTHC1812SF-220_	22	2.52	10	18	0.90	370
CTHC1812SF-270_	27	2.52	10	16	1.20	330
CTHC1812SF-330_	33	2.52	10	15	1.40	300
CTHC1812SF-390_	39	2.52	10	13	1.60	280
CTHC1812SF-470_	47	2.52	10	12	1.90	260
CTHC1812SF-560_	56	2.52	10	10	2.20	240
CTHC1812SF-680_	68	2.52	10	9.5	2.60	220
CTHC1812SF-820_	82	2.52	10	8.5	3.50	200
CTHC1812SF-101_	100	0.796	20	8.0	4.00	180
CTHC1812SF-121_	120	0.796	20	7.0	4.50	160
CTHC1812SF-151_	150	0.796	20	6.5	6.50	140
CTHC1812SF-181_	180	0.796	20	6.0	7.50	120
CTHC1812SF-221_	220	0.796	20	5.5	9.00	120
CTHC1812SF-271_	270	0.796	20	5.0	11.00	100
CTHC1812SF-331_	330	0.796	20	4.5	13.00	90
CTHC1812SF-391_	390	0.796	20	4.0	14.00	85
CTHC1812SF-471_	470	0.796	20	3.5	16.00	75
CTHC1812SF-561_	560	0.796	20	3.0	21.00	70
CTHC1812SF-681_	680	0.796	20	2.5	24.20	65

CHARACTERISTICS

- Description:** Ferrite core, wire-wound chip inductor
- Applications:** TV's, mobile phones, disk drives, computer peripherals, telecommunication devices, and electronic control boards for automobiles
- Inductance Tolerance:** $\pm 5\%$, $\pm 10\%$, $\pm 20\%$
- Moisture Sensitivity Level (MSL):** 1
- Operating Temperature:** -40°C to 125°C (Temp. rise included)
- Storage Temperature:** -40°C to 125°C
- Terminal Pull Strength:** 1.5kg min.
- Rated Current:** Current cause inductance drop within 10%
- Resistance to Solder Heat:** 260°C .10 secs.
- Resistance to Solvent:** Per MIL-STD-202F
- Packaging:** Tape & Reel
- Part Marking:** Inductance code or inductance code plus tolerance
- Miscellaneous:** RoHS compliant
- Samples available. See website for ordering information.**

PHYSICAL DIMENSIONS

Size	A	B	C	D	E	F
mm	4.50 \pm 0.3	3.20 \pm 0.2	3.20 \pm 0.2	1.20	4.2 \pm 0.2	1.00 $^{+0.3}_{-0.0}$
inches	0.18 \pm 0.012	0.13 \pm 0.008	0.13 \pm 0.008	0.047	0.17 \pm 0.008	0.039 $^{+0.01}_{-0.0}$



PAD LAYOUT

