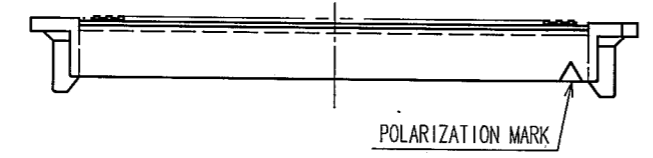
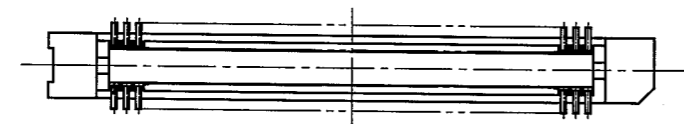
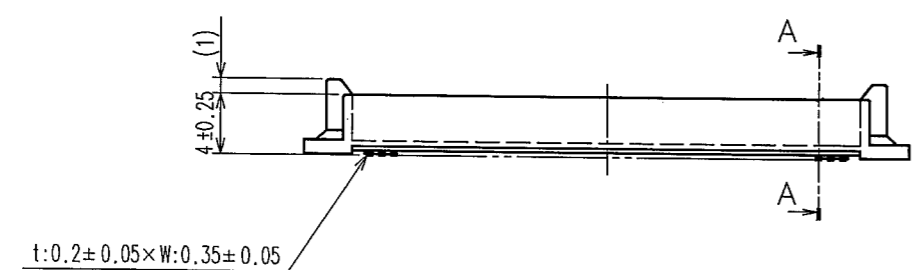
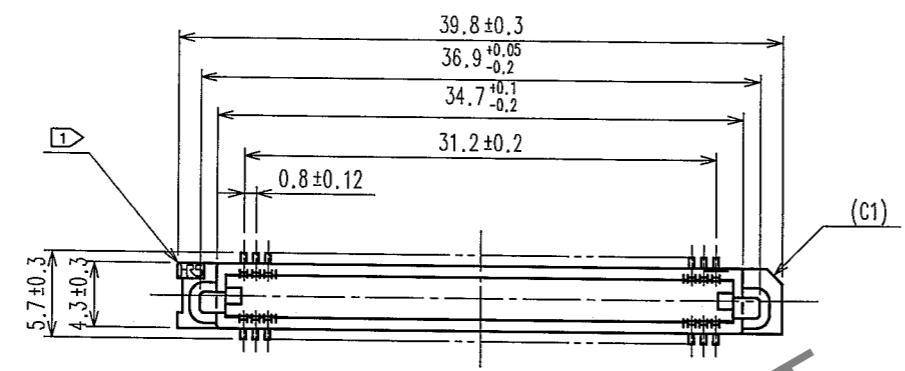
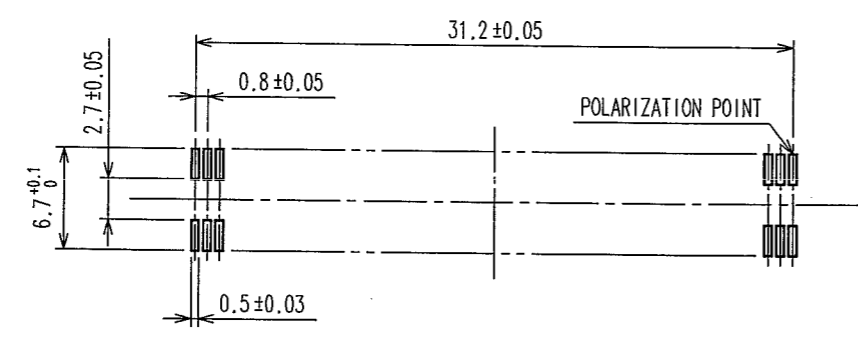


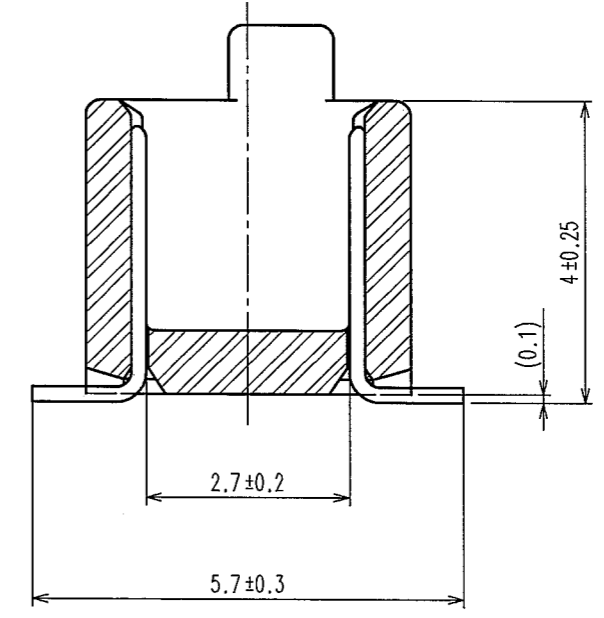
COUNT	DESCRIPTION OF REVISIONS	BY	CHKD	DATE	COUNT	DESCRIPTION OF REVISIONS	BY	CHKD	DATE
△				..	△				..
△				..	△				..
△				..	△				..



RECOMMENDED P.C.B. LAND PATTERN (MOUNT SIDE)



A-A (10:1)



HRS DRAWING FOR REFERENCE

- NOTE
- 1 HRS MARK SHALL BE OPTIONAL.
 - 2 LEAD CO-PLANARITY SHALL BE 0.1mm MAX.
 - 3 THE DIMENSIONS IN PARENTHESES ARE FOR REFERENCE.
 - 4 EMBOSSED CARRIER TAPE PACKAGING SHALL BE APPLIED FOR THIS PRODUCT.
 - 5 FOR MODIFICATION, ETC, PREVENTIVE HOLE FOR SINK MARK MAY BE ADDED ACCORDING TO CIRCUMSTANCES.

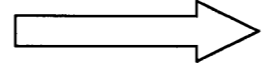
1 POLYPHENYLENE SULFIDE LIGHT BROWN UL94V-0		2 PHOSPHOR BRONZE		CONTACT AREA : GOLD 0.1μm min.	
NO. MATERIAL FINISH, REMARKS		NO. MATERIAL FINISH, REMARKS		LEAD AREA : GOLD FLASH	
CODE NO. (OLD)		DRAWN Y.AOYAGI '05.09.16		DESIGNED T. Mada '05.09.26	
		CHECKED K. Ozawa '05.09.26		APPROVED H. Okawa '05.09.27	
		RELEASED			
SCALE 2 : 1		DRAWING NO. EDC3-071329-22		PART NO. FX6A-80P-0.8SV(92)	
UNITS mm		HRS HIROSE ELECTRIC CO., LTD		CODE NO. CL576-0207-9-92	

TO

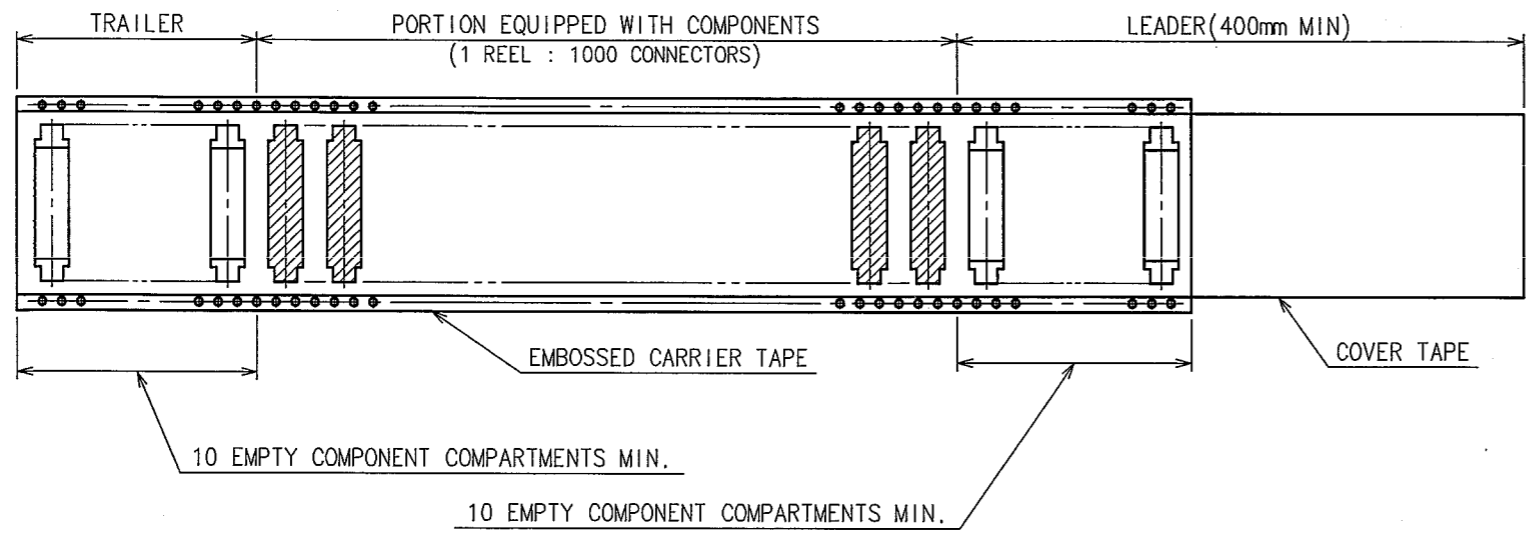
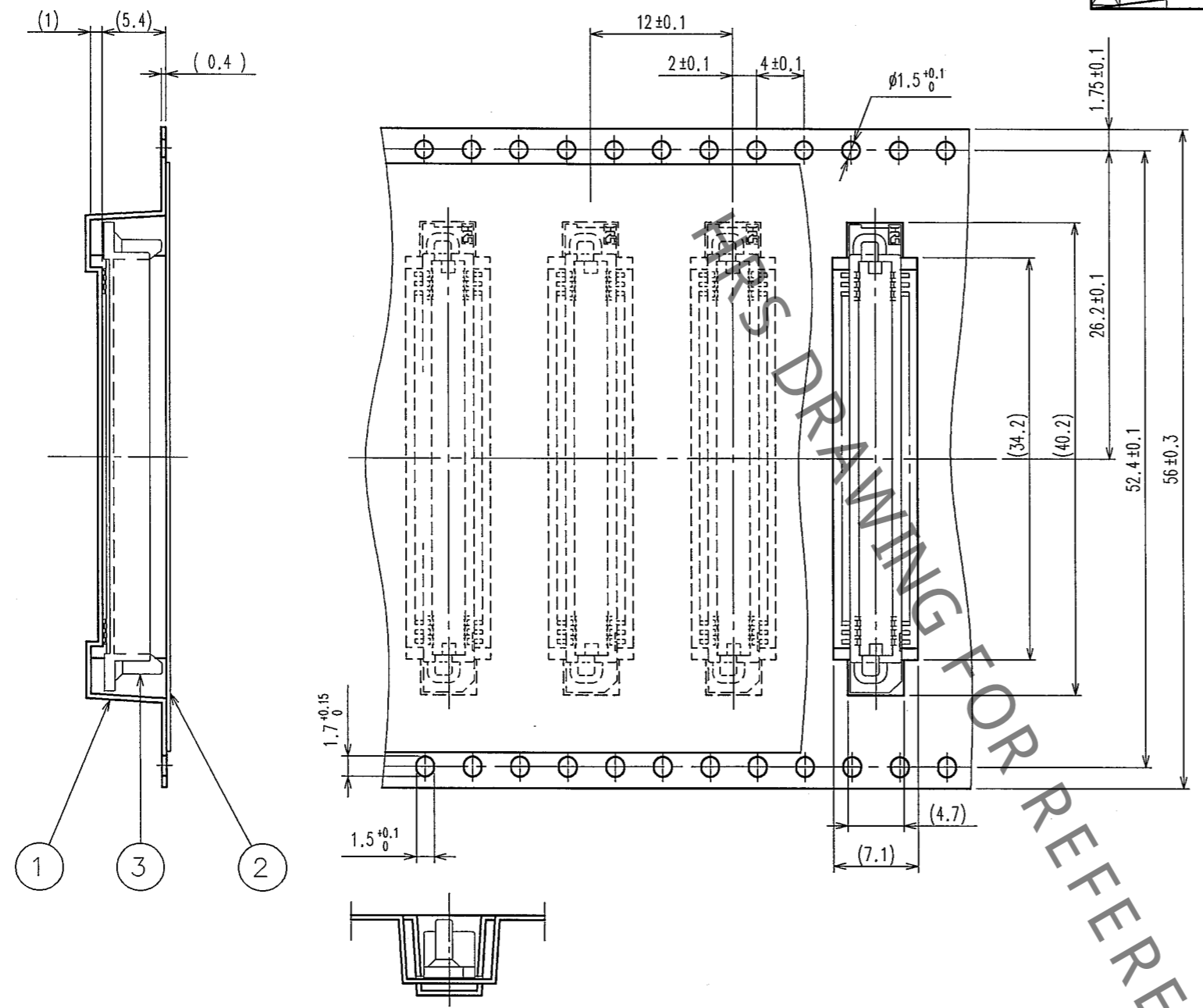
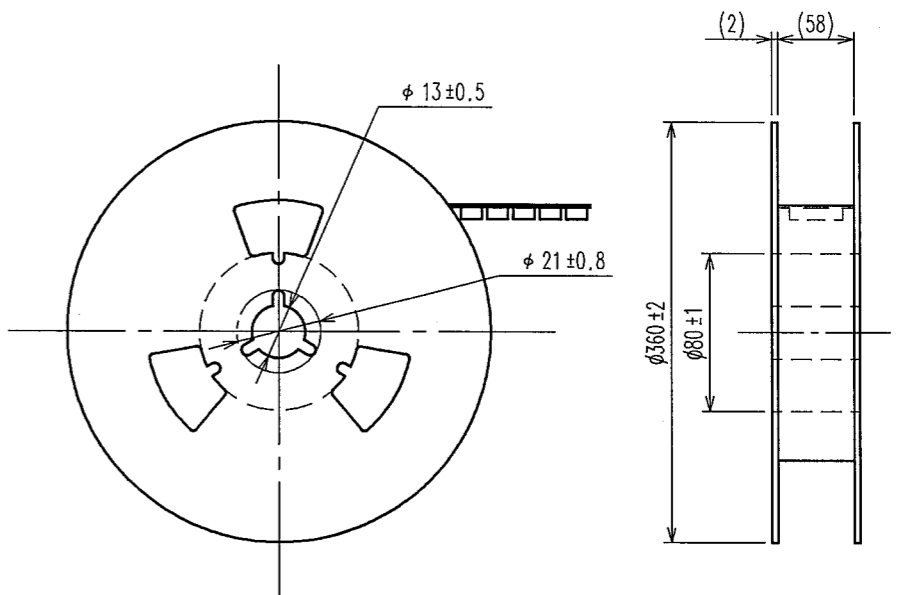


COUNT	DESCRIPTION OF REVISIONS	BY	CHKD	DATE	COUNT	DESCRIPTION OF REVISIONS	BY	CHKD	DATE

DIRECTION OF UNREELING



STYLE AND DIMENSIONS OF REEL (FREE)



NOTE 1 THE DIMENSIONS IN PARENTHESES ARE FOR REFERENCE.
2 1 REEL : 1000 CONNECTORS.

2	POLYESTER	COVER TAPE	3		(CONNECTOR)
1	POLYSTYRENE	EMBOSSED CARRIER TAPE			
NO.	MATERIAL	FINISH, REMARKS	NO.	MATERIAL	FINISH, REMARKS
CODE NO. (OLD)			DRAWN	DESIGNED	CHECKED
DRAWING FOR PACKING			Y.AOYAGI	J. Mada	K. Oyama
SCALE			05.09.12	05.07.26	05.09.26
2 : 1			APPROVED		
UNITS			H. Okawa		
mm			05.09.27		
DRAWING NO.			PART NO.		
EDC3-071329-22			FX6A-80P-0.8SV(92)		
CODE NO.			CODE NO.		
CL576-0207-9-92			2		

TO

