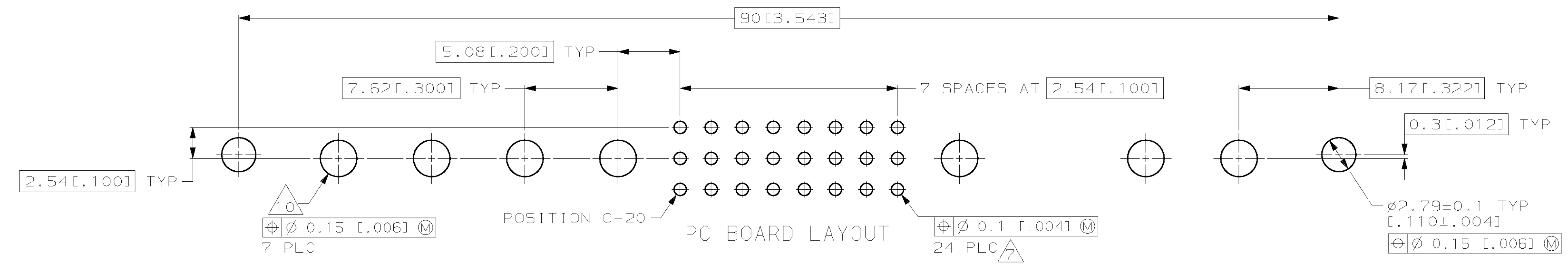
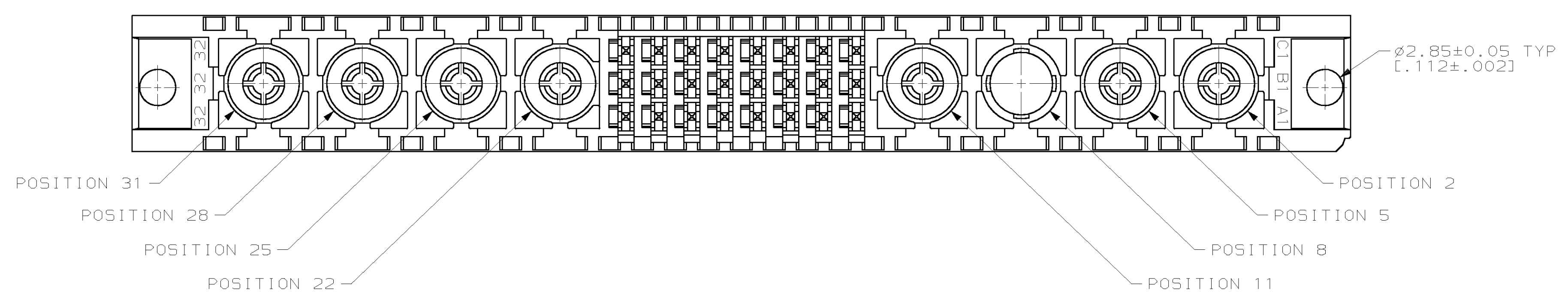
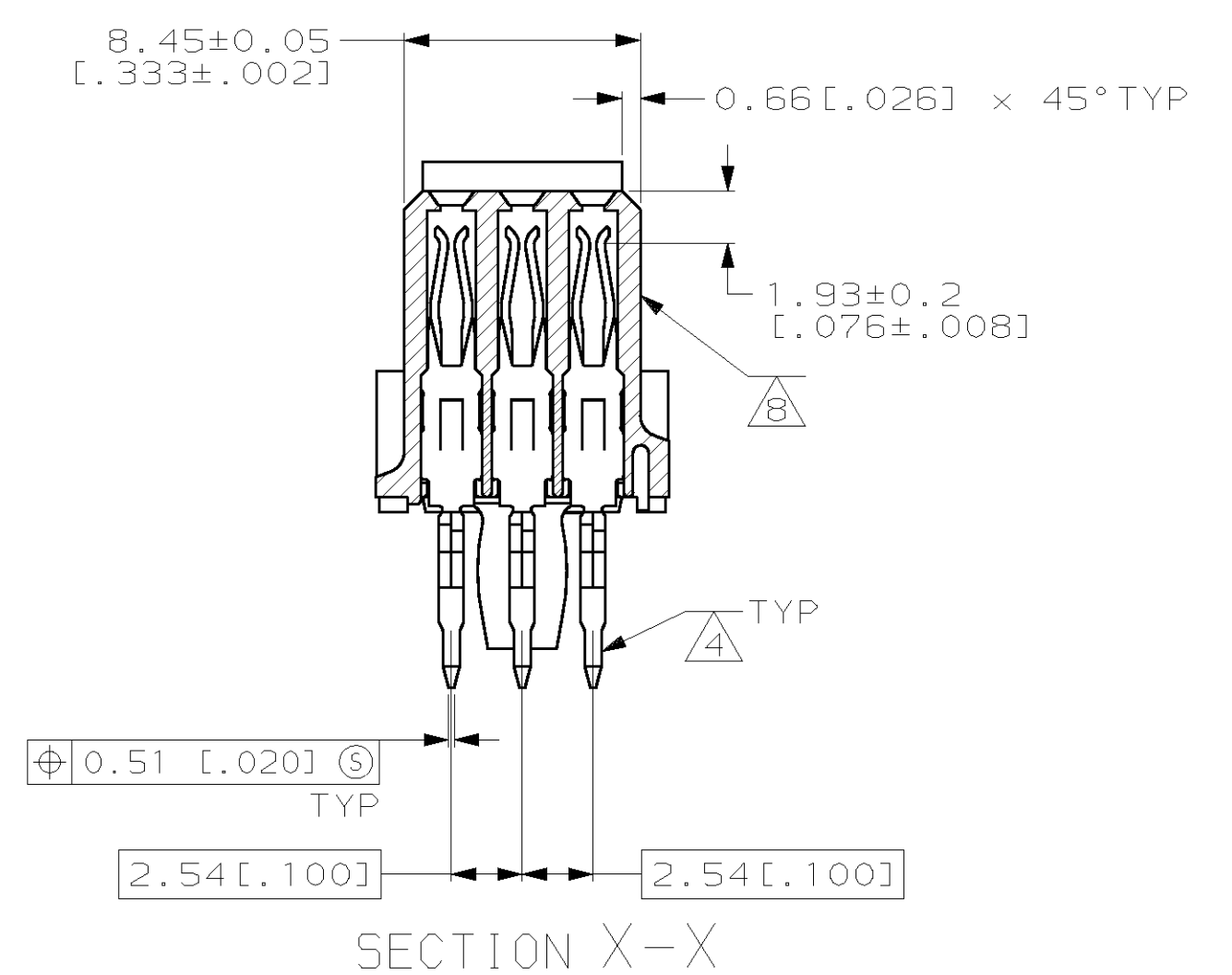
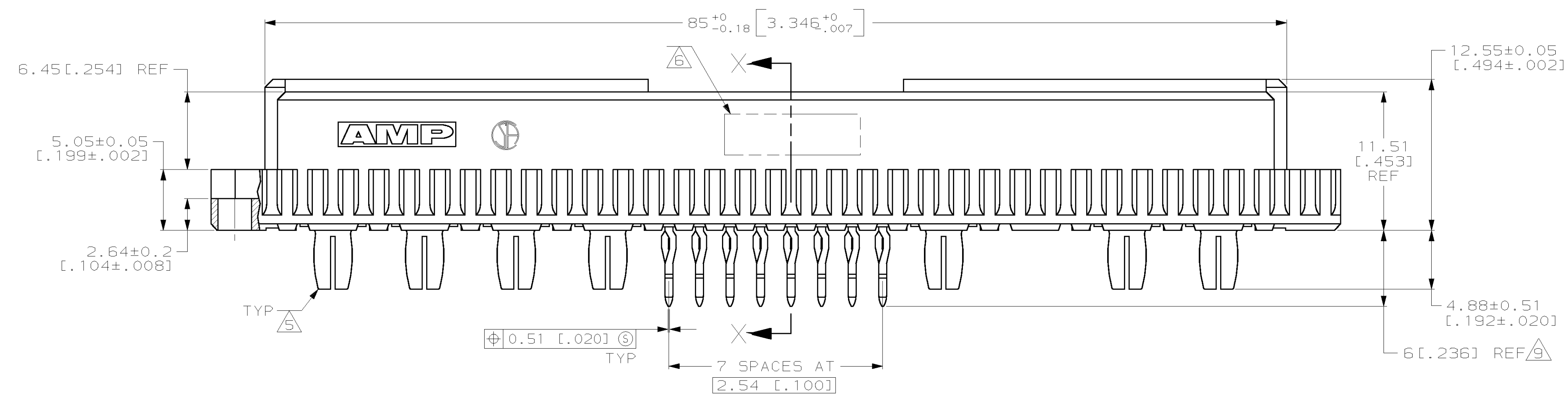
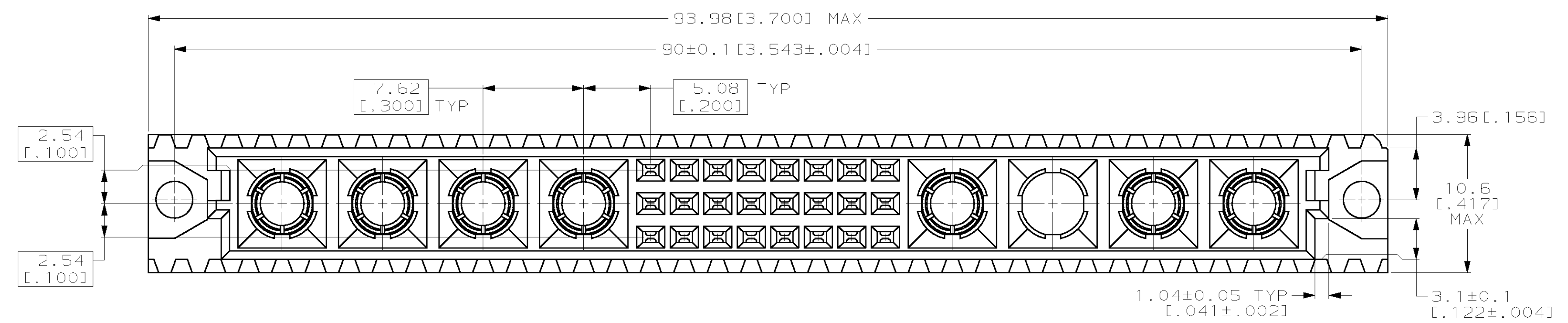


REVISONS		DATE	OWN	APVD
A	REV PER OG20-0348-98	16 JAN 99	BH	LSB
B	REV PER EC OG21-80-99	06 APR 99	BC	CR

- 1 HOUSING MATERIAL: GLASS-FILLED POLYESTER. COLOR: GRAY.
- 2 CONTACT MATERIAL: PHOSPHOR BRONZE.
- 3 POWER CONTACT MATERIAL: BERYLLIUM COPPER.
- 4 CONTACT FINISH: DIN 41612 CLASS 2 IN CONTACT AREA. TIN-LEAD PLATE ON POSTS.
- 5 POWER CONTACT FINISH: DIN 41612 CLASS 2 ALL OVER.
- 6 PART NUMBER AND DATE CODE HOT STAMPED IN THIS APPROXIMATE AREA.
- 7 ACTION PIN POSTS REQUIRE 2.36[.093] MINIMUM THICK PC BOARD. RECOMMENDED PC BOARD DRILLED HOLES ARE  $\phi 1.15 \pm 0.025$ [.0453 ± .0010] WITH 0.02-0.08[.001-.003] COPPER AND 0.008[.0003] MINIMUM TIN-LEAD PLATING. FINISHED HOLE AFTER PLATING IS  $\phi 1.02 \pm 0.08$ [.040 ± .003].
- 8 HOT STAMPING ON THIS SIDE.
- 9 TAIL LENGTH AFTER SEATING IN PC BOARD.
- 10 POWER CONTACTS REQUIRE  $\phi 3.13 \pm 0.08$ [.123 ± .003] DRILLED HOLE WITH 0.05 ± 0.25[.002 ± .001] THICK COPPER AND 0.13[.005] MINIMUM TIN-LEAD PLATING. FINISHED HOLE SIZE IS  $\phi 3.0 \pm 0.08$ [.118 ± .003].



148497-5  
PART NUMBER

THIS DRAWING IS A CONTROLLED DOCUMENT.		DWN: L. BRINER 9/1/98	AMP AMP Incorporated Harrisburg, PA 17105-3608
DIMENSIONS: mm (INCHES)		CHK: R. PATTERSON 9/1/98	
TOLERANCES UNLESS OTHERWISE SPECIFIED:		APVD: R. PATTERSON 9/1/98	NAME: RECEPTACLE ASSEMBLY, EUROCARD, PRESS FIT, TYPE M, 24 + 8 POSITIONS
0 PLC ±		PRODUCT SPEC	
1 PLC ±		APPLICATION SPEC	SIZE: A1
2 PLC ±0.13(.005)		WEIGHT	CAGE CODE: 000779
3 PLC ±		CUSTOMER DRAWING	DRAWING NO: 148497
4 PLC ±		SCALE: 4:1	SHEET: 1 OF 1
MATERIAL: HSG: △		REV: B	
POWER CONT: △			
CONT: △			
POWER: △			