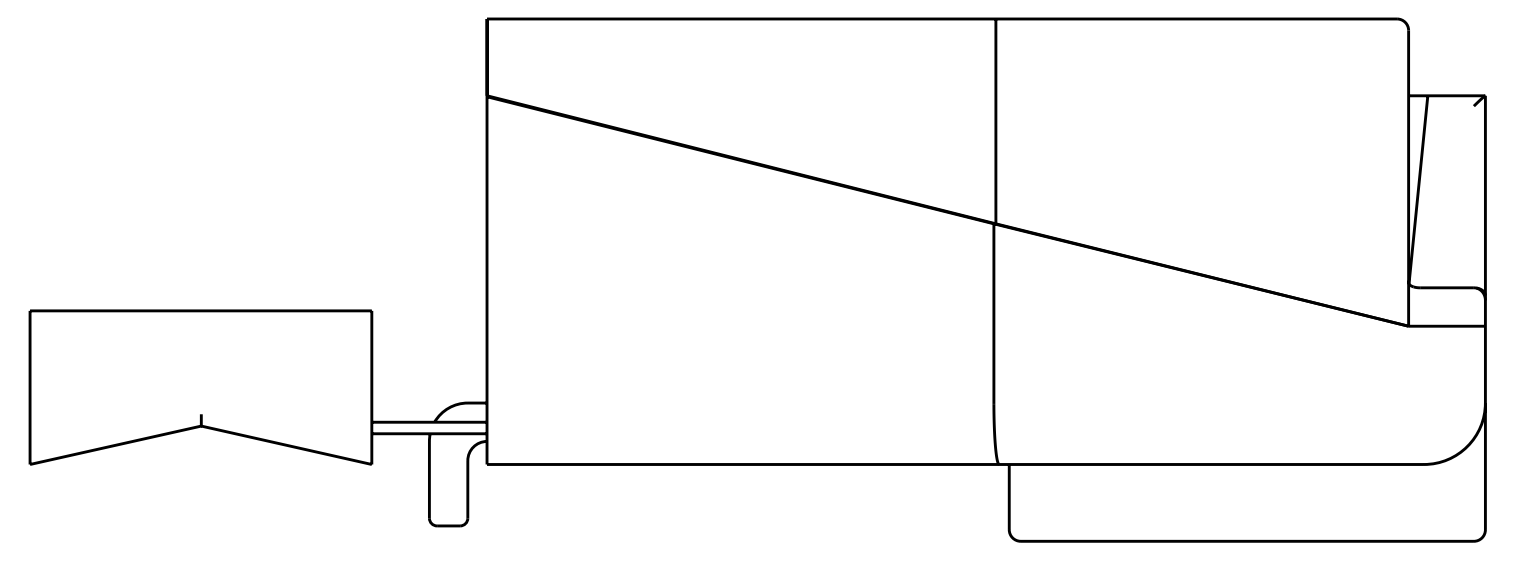
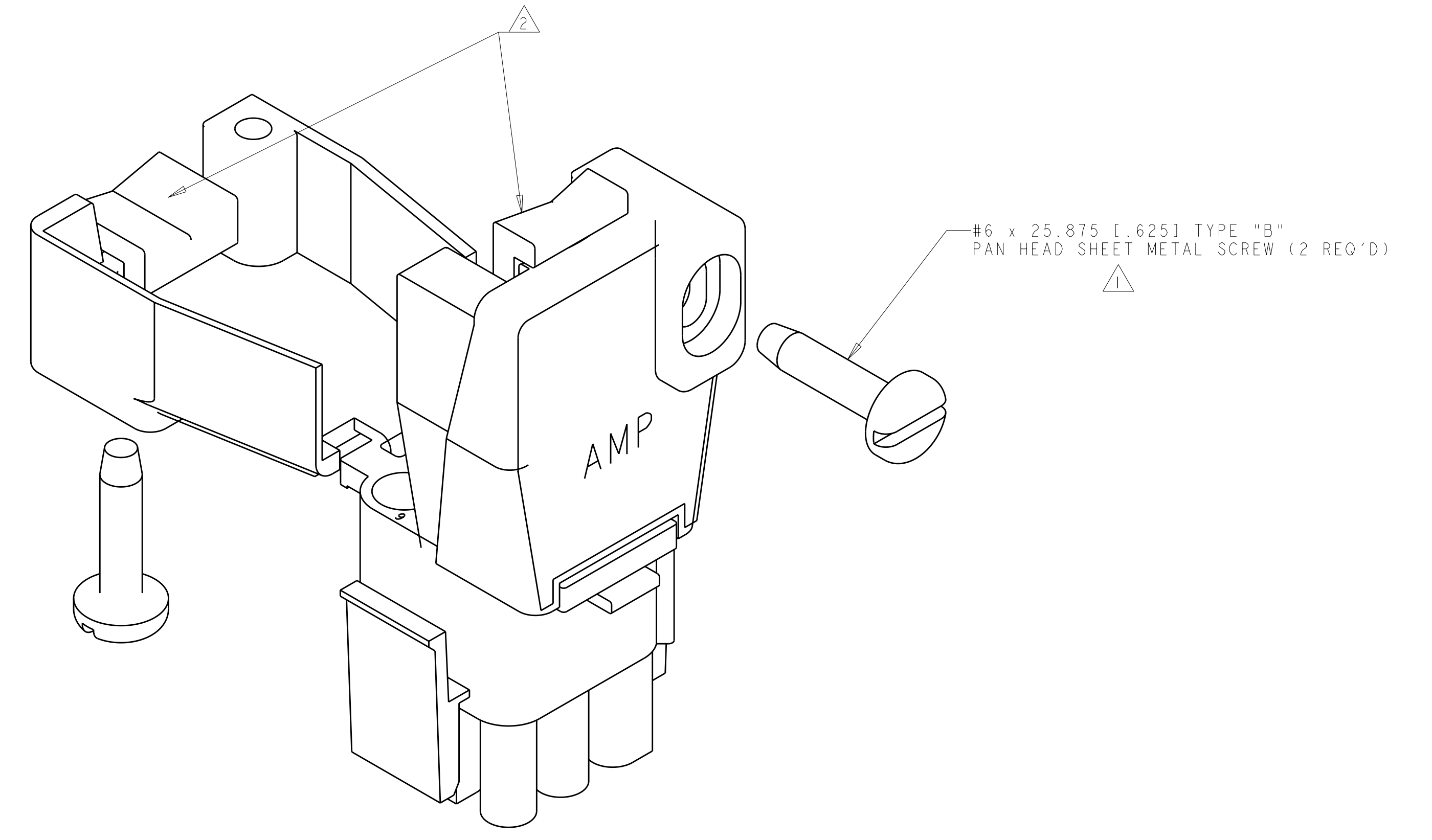
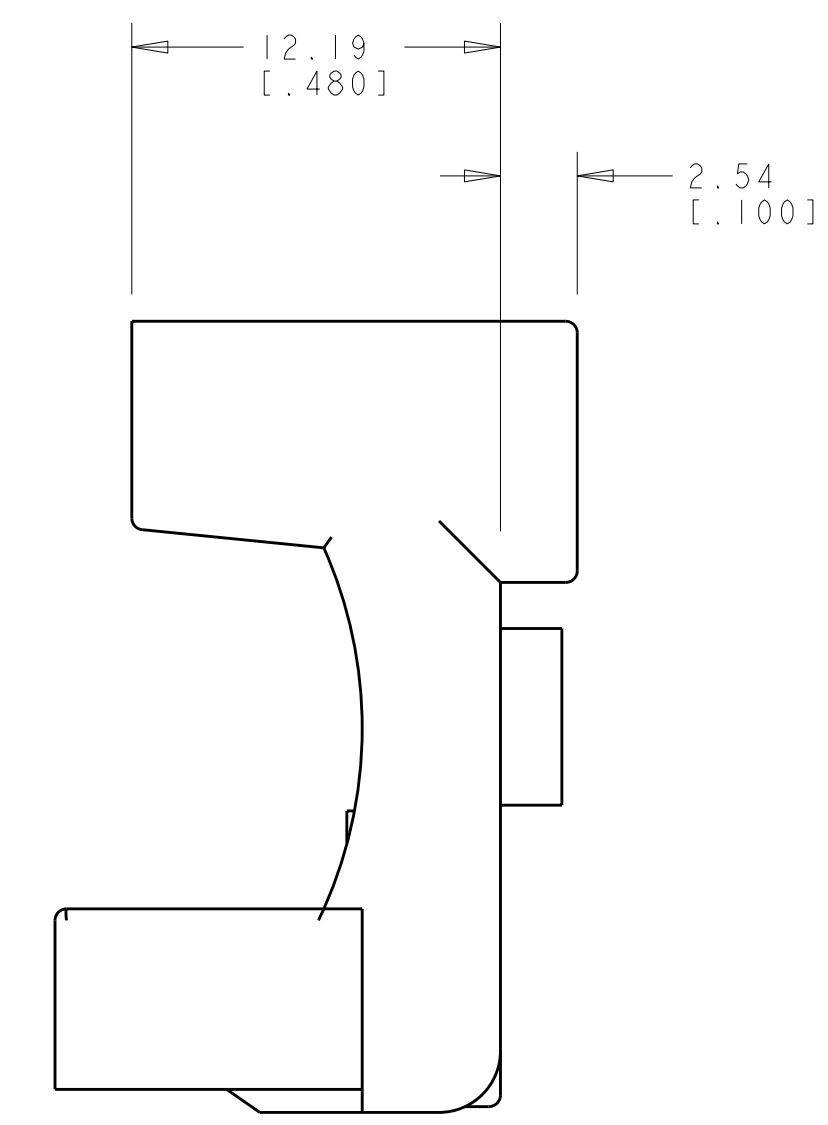
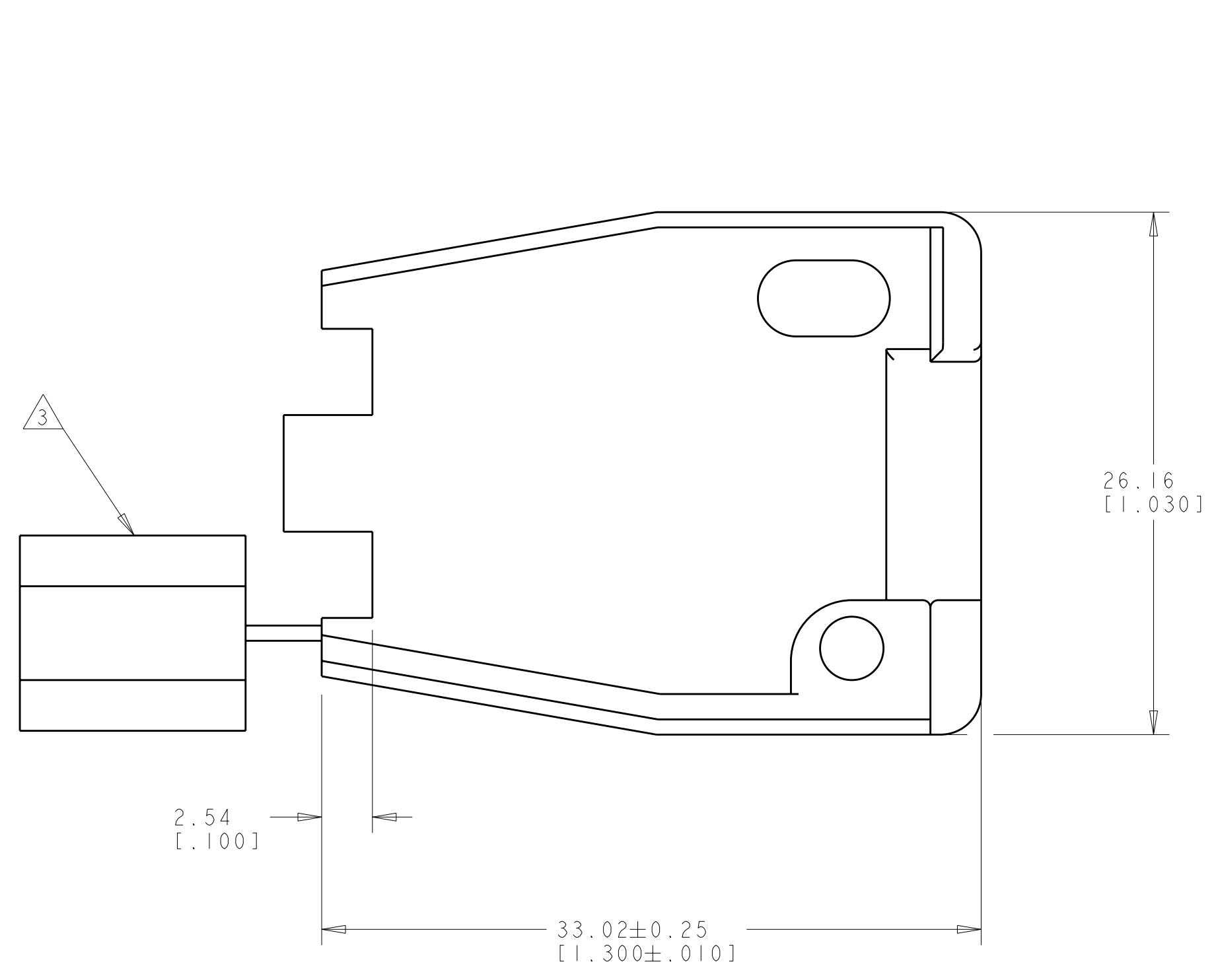


LOC	DIST	REVISIONS			
CM	00	REV	DATE	BY	APPD
		D1	REVISD PER ECO-11-005027	18MAR2011	RK HMR

- 1. SHEET METAL SCREWS NOT SUPPLIED.
- 2. INSERT IS ATTACHED TO STRIN RELIEF AS AN ADDITIONAL ADJUSTMENT FOR SMALL WIRE BUNDLES. IT SHOULD BE CUT OFF AND POSTIONED AS SHOWN.
- 3. TWO REQUIRED PER CONNECTOR.
- 4. DETACHABLE INSERT MAY SEPARATE FROM STRAIN RELIEF BODY DURING SHIPPING.



COLOR	MATERIAL	PART NUMBER
BLACK	NYLON UL94V-2	1-640721-9
NATURAL	NYLON UL94V-2	1-640721-0



THIS DRAWING IS A CONTROLLED DOCUMENT.		DWN: R. WHITAKER 05DEC2003	STE TE Connectivity	
DIMENSIONS: mm [INCHES]		CHK: S. RIDGILL 05DEC2003	NAME: STRAIN-RELIEF AND INSERT, 6 CIRCUIT, UNIVERSAL MATE-N-LOK(TM)	
TOLERANCES UNLESS OTHERWISE SPECIFIED:		APVD: S. RIDGILL 05DEC2003	SIZE: CAGE CODE: DRAWING NO: A100779 C-640721	
9 PLC ±	3 PLC ±0.13 [1.005]	PRODUCT SPEC	RESTRICTED TO	
5 PLC ±	4 PLC ±	APPLICATION SPEC	SCALE: 4:1 SHEET 1 OF 1 REV: D1	
ANGLES ±	FINISH: #0°30'	WEIGHT	CUSTOMER DRAWING	
MATERIAL: SEE TABLE				