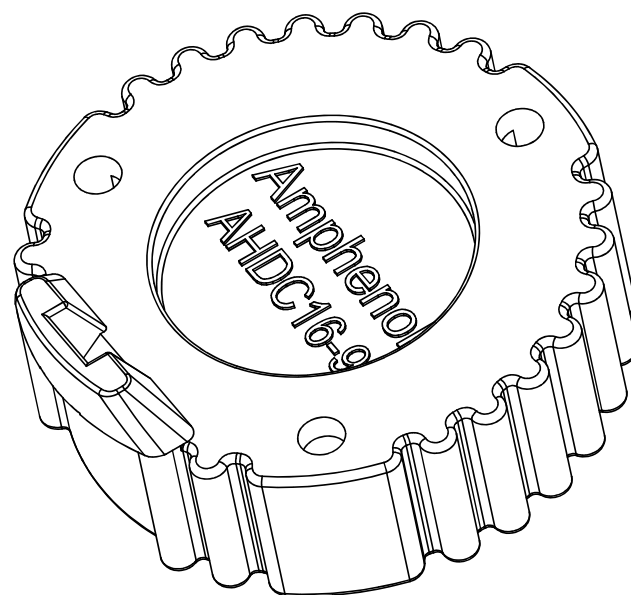
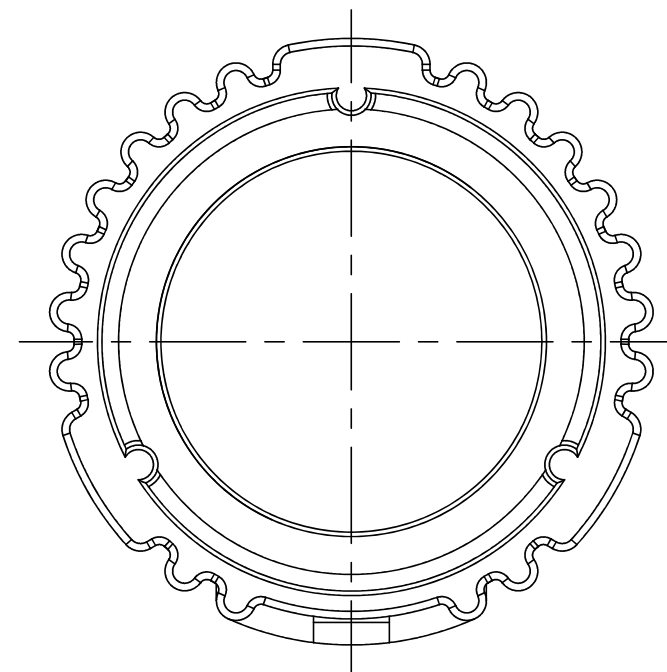
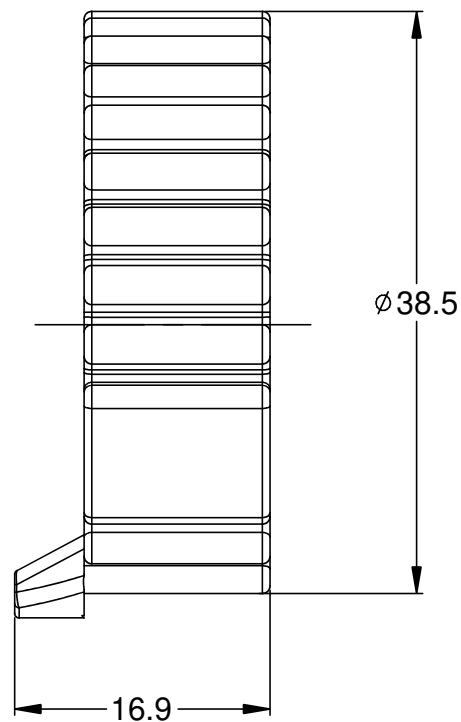
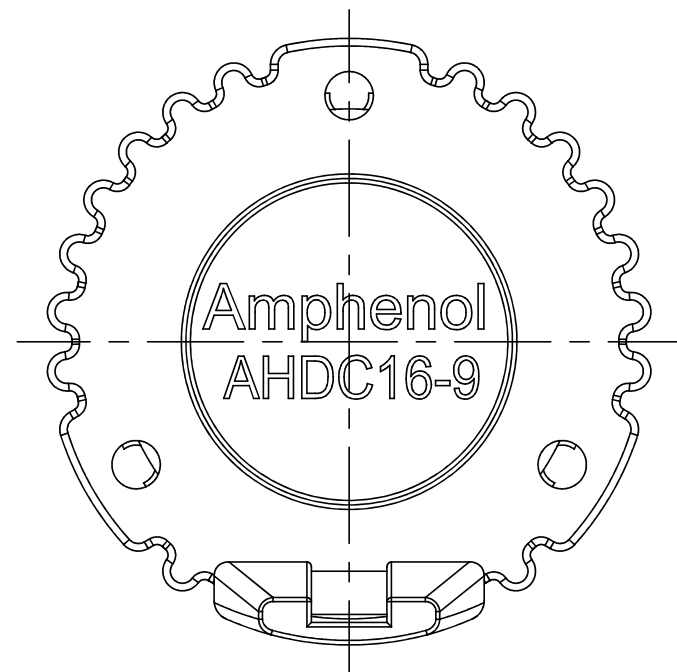


REVISIONS					
REV	ECO	DESCRIPTION	DATE	BY	APPR
A3	-	RELEASE CUSTOMER DRAWING	22FEB14	JARRY	



PART NUMBER CHART	
COLOR	PART NUMBER
GREY	AHDC-16-9
BLACK	AHDC-16-9-BLK

NOTES: UNLESS OTHERWISE SPECIFIED

1. MATERIAL: THERMOPLASTIC
2. COMPATIBLE WITH ALL 9 POSITION AHD SERIES RECEPTACLES
3. RoHS COMPLIANT.
4. ALL DIMENSIONS ARE FOR REFERENCE USE ONLY.

QUANTITY	SEE CHART	DESCRIPTION	ITEM
	PART NUMBER		
<b>MATERIALS LIST</b>			
UNLESS OTHERWISE SPECIFIED		<p style="text-align: center;"><b>Amphenol</b></p> <p style="text-align: center;">Sine Systems - www.amphenol-sine.com 44724 Morley Drive Clinton Township, MI 48036</p> <p style="text-align: center;"><b>RECEPTACLE CAP,9 POSITION, AHD</b></p>	
1) All dimensions are in metric(mm).			
2) Tolerances are as follows:			
3) Note reference =			
MATERIAL SPECIFICATIONS:		SIGNATURES      DATE	
PROCESS SPECIFICATIONS:		DRAWN: JARRY      22FEB14	
NEXT ASSY:		CHECKED:	
		ENGINEER:	
		APPROVAL:	
		CUSTOMER:	
		THIS DRAWING IS SUPPLIED FOR INFORMATION ONLY. DESIGN FEATURES, SPECIFICATIONS AND PERFORMANCE DATA SHOWN HEREON ARE THE PROPERTY OF THE AMPHENOL CORPORATION. NO RIGHTS OF REPRODUCTION ARE IMPLIED. ALL DIMENSIONS ARE SUBJECT TO NORMAL MANUFACTURING VARIATIONS.	
		SIZE: <b>B</b>	REVISION: <b>A3</b>
		TYPE: <b>C-</b>	
		DWG NO: <b>AHDC-16-9-XXX</b>	
		SCALE: <b>NONE</b>	SHEET <b>1</b> OF <b>1</b>

TITLE: RECEPTACLE CAP,9 POSITION, AHD      DWG NO: AHDC-16-9-XXX      REV: A3      SH: 1      OF: 1