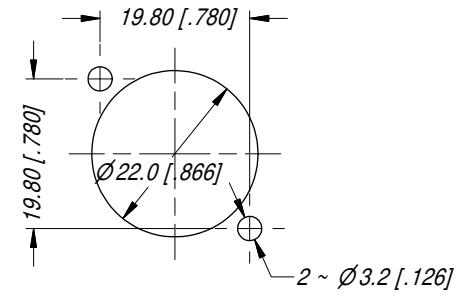


CONTACT SCHEMATIC DIAGRAM



PANEL CUT OUT

UNLESS OTHERWISE SPECIFIED TOLERANCE TO BE	
LINEAR	ANGULAR
X ±	X' ±1
X.X ±	X.X' ± 30'
X.XX ±	X.XX' ± 15'
BREAK ALL SHARP EDGES AND REMOVE ALL BURRS	
DO NOT SCALE	
DIMENSIONS IN MILLIMETRES	

THIS DOCUMENT IS THE PROPERTY OF AMPHENOL AUSTRALIA PTY. LTD. NO PART THEREOF MAY BE REPRODUCED AND USED WITHOUT THE PRIOR WRITTEN CONSENT OF THE OWNER.			
MATERIAL:	DRN: T.N	DATE: 19/01/12	THIRD ANGLE PROJECTION
	CKD: P.M	DATE: 19/01/12	
	APPD: P.M	DATE: 19/01/12	
FINISH:	SCALE: 1:1	SIZE: A4	

Amphenol Amphenol Australia Pty.Ltd, 2 Fiveways Blvd, Keysborough, VIC 3173	
TITLE: C TYPE LOW PROFILE 10 CTS NON LATCH HORIZ- CUSTOMER DWG	PART No: ACJC10AHL
	REV 1
	DRAWING No. 55010807-000
	SHEET 10/16