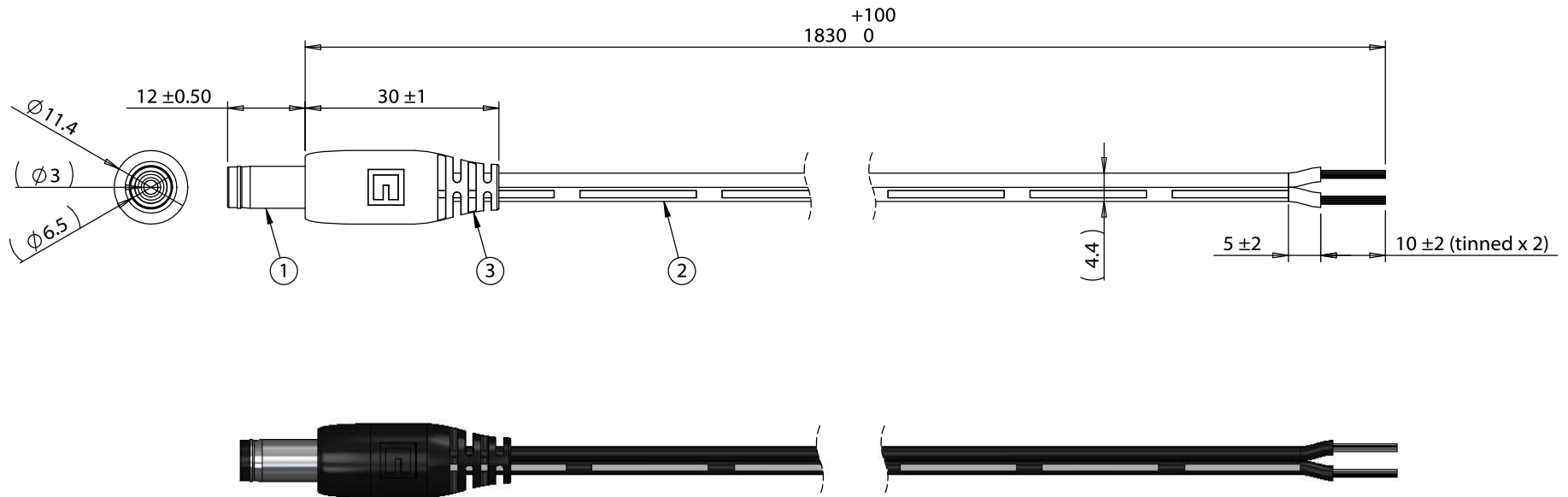


ITEM NO.	PART NUMBER	DESCRIPTION	QTY.	COMPONENT NOTES
1	50-00090	Connector, dc plug, 6.5x3.0x24 mm, molding style	1	
2	30-00395	Wire, 2C TS, 18 AWG, UL2468, 300V, 80C, 4.4 mm, VW-1, PVC, 87A	1	
3	24-00004	Overmold, PVC	1	black



Notes:
Functionally equivalent components may be substituted

Wiring Diagram	
50-00090	wire color
center	black with stripe
sleeve	black

Revision:	Date:	Description:	Prepared:	Notes: RoHS compliant Function test: no open, no short circuit, no intermittent	<h1>TENSILITY</h1> tel 1.541.323.3228 800 877.670.7118 fax 1.541.323.4202 web tensility.com
A	11/20/2017	Initial release	GL Digitally signed by GL Date: 2017.11.20 11:01:05 -08'00'		
			Verified: PS Digitally signed by PS Date: 2017.11.20 13:30:28 -08'00'	Description: Cable, 1830 mm, 6.5x3.0x12 mm 50-00090 dc plug to 10 mm tinned, 18 AWG, UL2468, 30-00395 wire	
			Dimensions are in millimeters. Tolerances: X: ± 0.5 mm X.X: ± 0.3 mm X.XX: ± 0.05 mm	Size: A Part number: 10-02490	Scale: 1:1
					Sheet 1 of 1

5

4

3

2

1