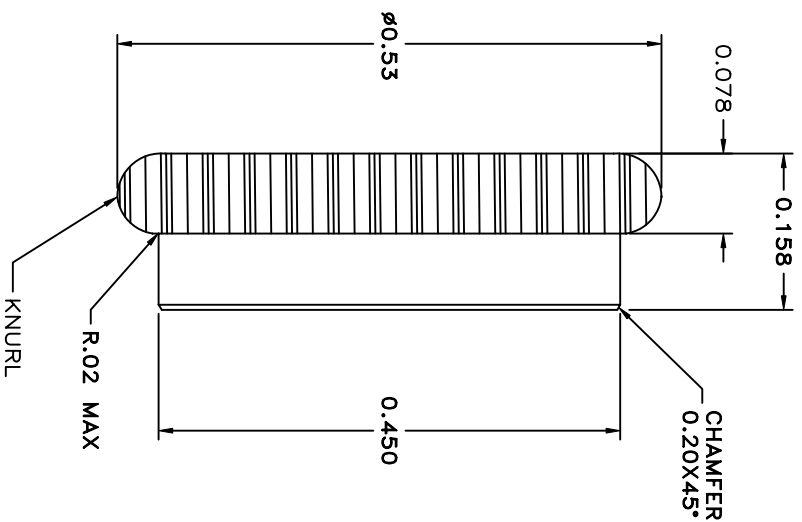
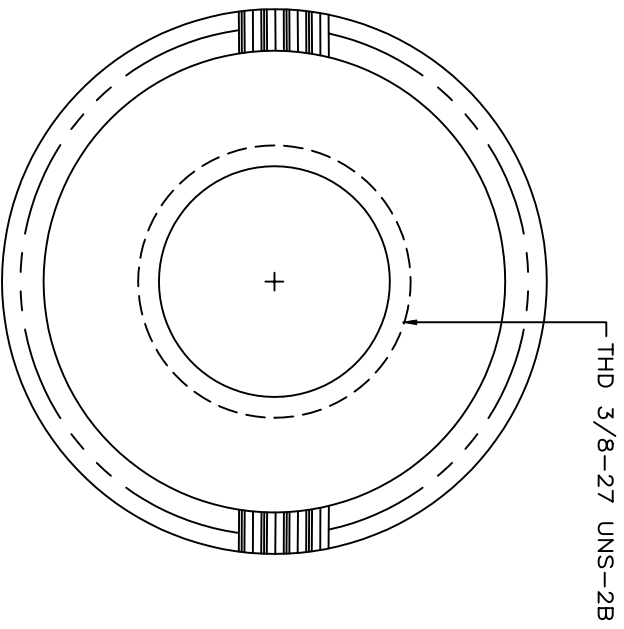


LTR	EN	DESCRIPTION	APPR	BY	DATE
A	-	INITIAL RELEASE	MT	DC	04-01-08



JUDCO INVENTORY NO. 18-1017-00  
 DESCRIPTION: NUT, KNURLED 3/8-27  
 BRASS/BRIGHT NICKEL PLATE  
 ROHS COMPLIANT

CUSTOMER:

CUSTOMER PN:

APPROVED BY: \_\_\_\_\_

DATE: \_\_\_\_\_

DIMENSIONS IN INCHES  
 DIMENSIONS ARE REFERENCE

DRAWN:	DC	04-01-08
APPR:	KJ	04-01-08
1415U1359A.DWG		

®

HARBOR CITY CALIFORNIA

TITLE  
 NUT, 3/8-27  
 BRASS BRIGHT NI-PLT

DWG. NO.  
 1415-1359

SHEET  
 1 OF 1

This document embodies a product, component, and/or design proprietary to JUDCO MANUFACTURING INC., and which is protected either as a trade secret, by U.S. Patent, or by copyright. It may not be used in any way without written express consent of JUDCO MANUFACTURING INC.