

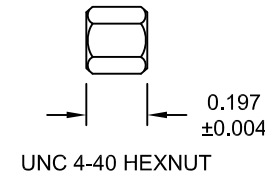
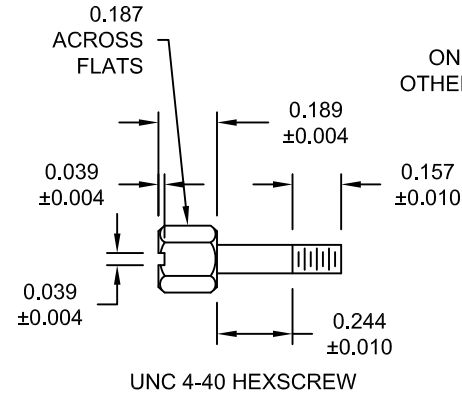
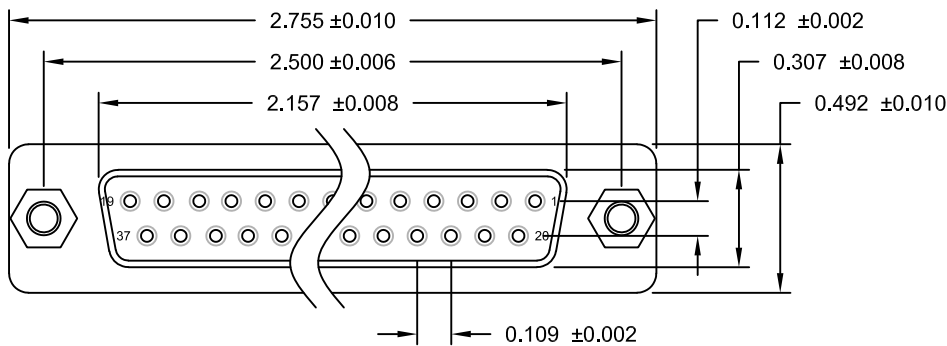
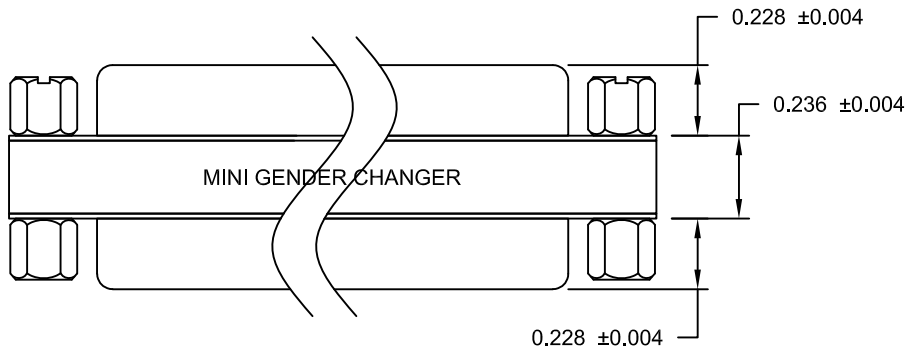
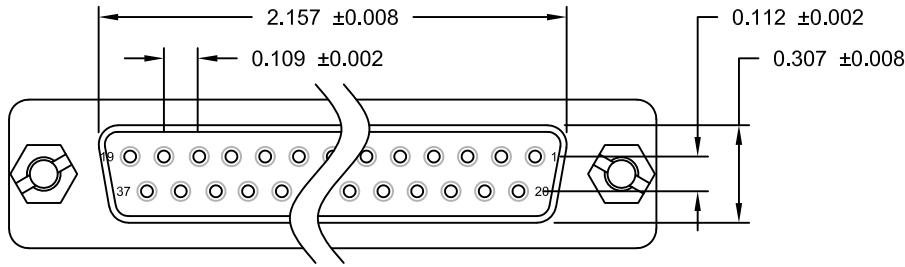
DESCRIPTION: 37-PIN FEMALE / FEMALE GENDER CHANGER

SPECIFICATION:

INSULATOR: PBT GLASS FIBER REINFORCED UL 94VO
 CONTACT: BRASS
 CONTACT PLATING: GOLD PLATED OVER NICKEL
 SHELL: TIN PLATED SHELL
 CURRENT RATING: 5 AMP
 DIELECTRIC STRENGTH: 1,000VAC FOR 1 MINUTE
 INSULATION RESISTANCE: 1,000 MegOHMS MIN @500 VDC
 TEMPERATURE: -55° C - +105° C

NOTE:

LABEL: YELLOW COLOR WITH BLACK CHARACTORS
 ONE SIDE: MINI GENDER CHANGER
 OTHER SIDE: U.S.A. PATENT 5199906



| 37-PIN FEMALE | 37-PIN FEMALE |
|---------------|---------------|
| 1 | 1 |
| 2 | 2 |
| 3 | 3 |
| ~ | |
| 36 | 36 |
| 37 | 37 |
| SHELL | SHELL |

PIN OUT

DO NOT SCALE FROM DRAWING

RoHS COMPLIANT

| | | | | |
|--------------------|---|--|----------------------|-------------------|
| | THESE DRAWINGS AND SPECIFICATIONS ARE THE PROPERTY OF NorComp AND SHALL NOT BE REPRODUCED, COPIED OR USED AS THE BASIS FOR THE MANUFACTURE OF SALE OF APPARATUS WITHOUT WRITTEN PERMISSION. | | DRAWN: P. JENKINS | DATE: 10-15-07 |
| | NorComp | | SCALE: NTS | SHEET 1 OF 1 |
| DWG NO. GCLP37F37F | | | | |