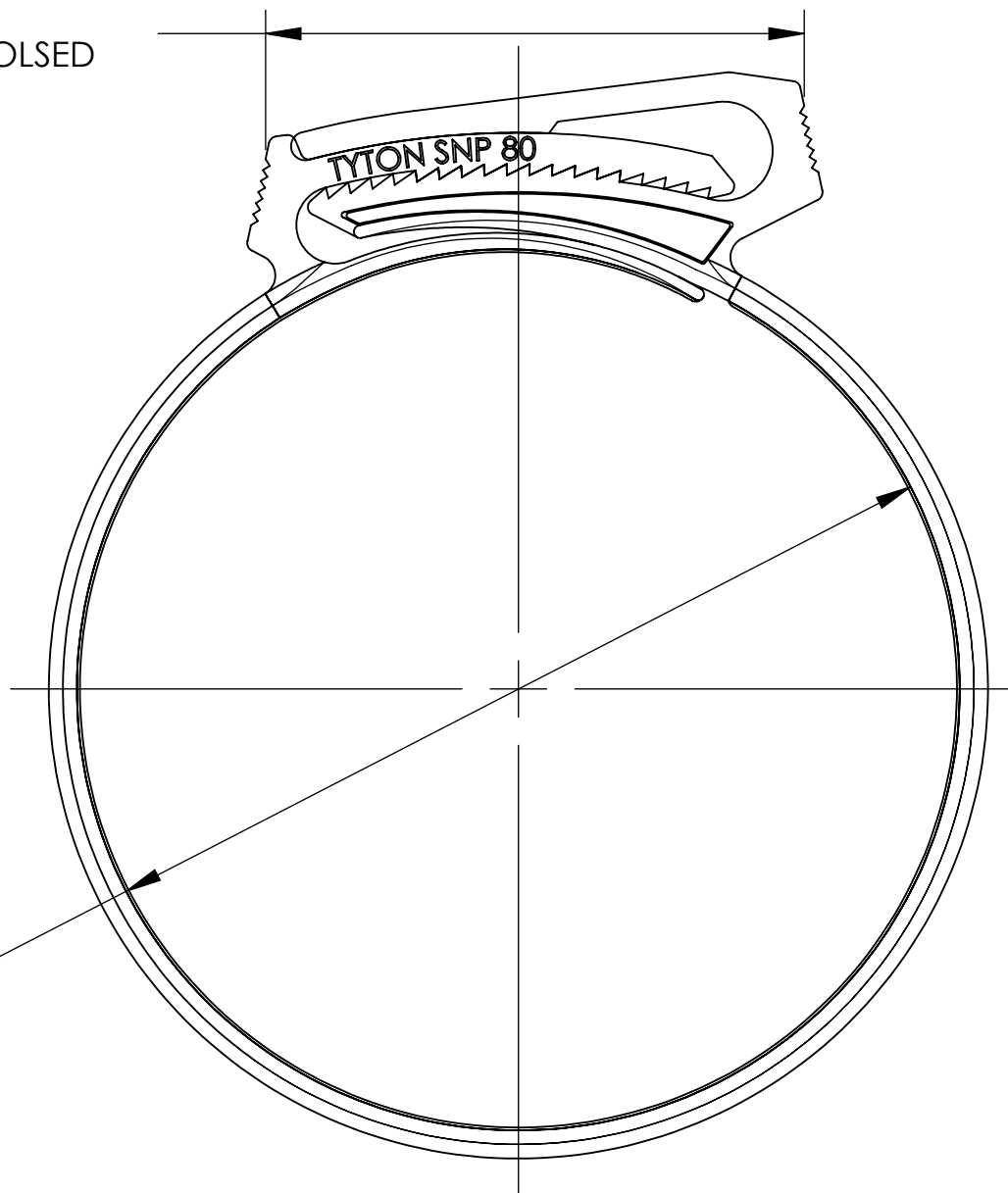
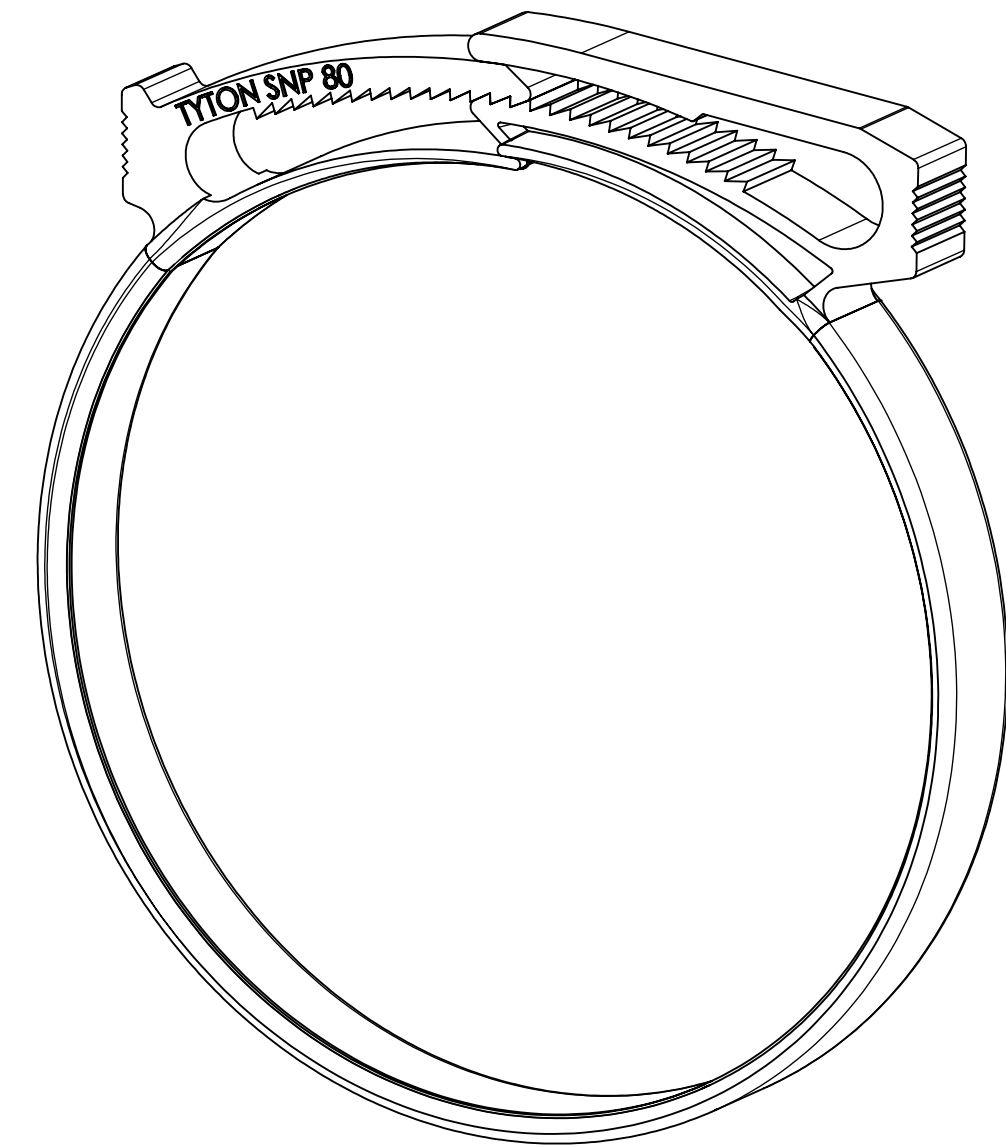
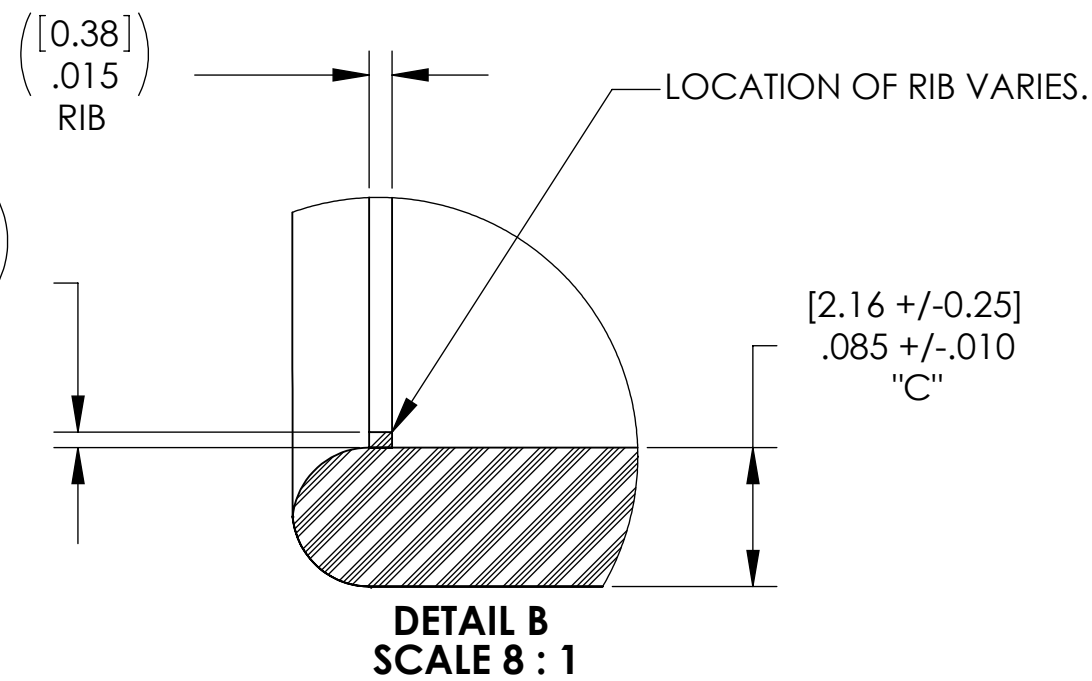


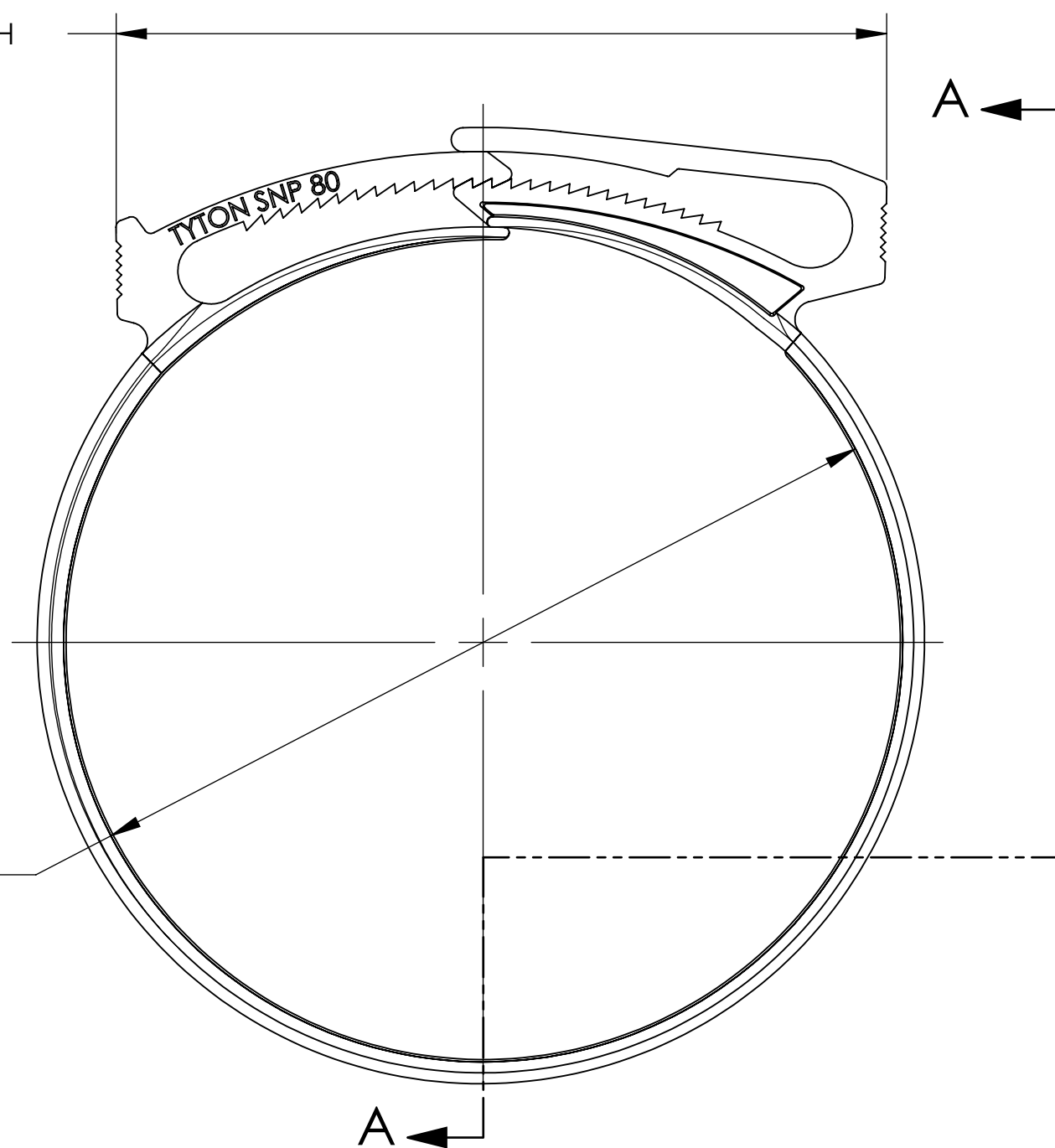
([47.45])
1.868
COMPLETELY COLSED
"B"



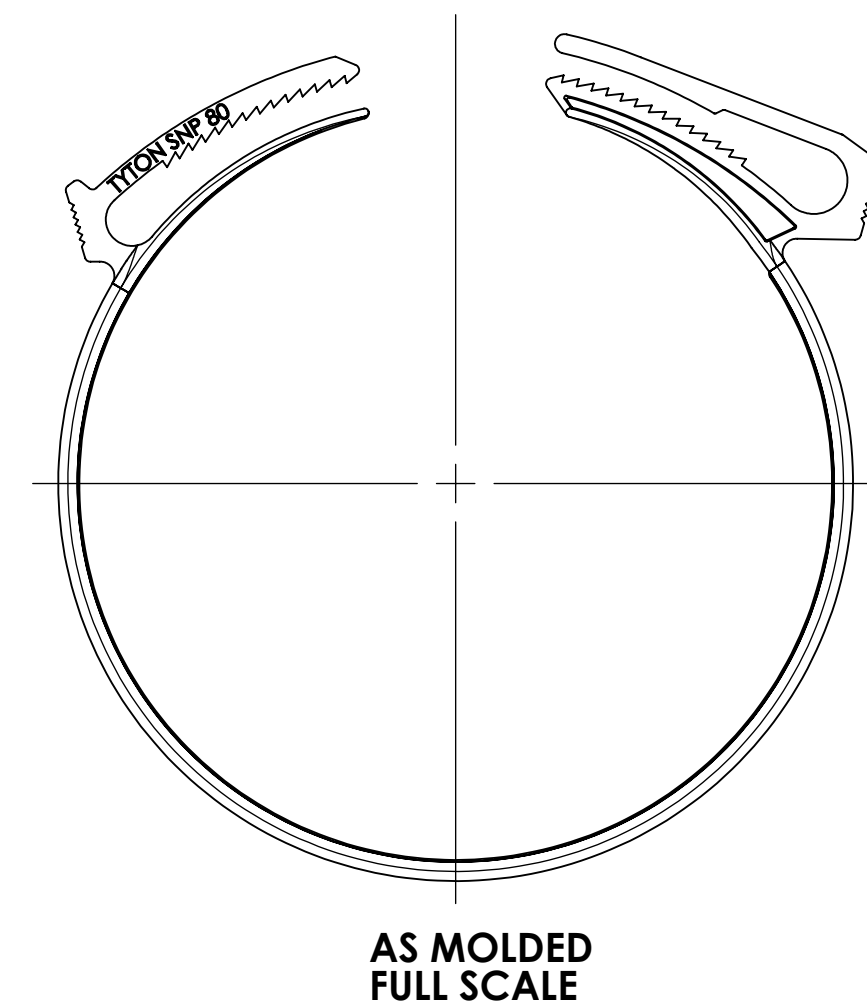
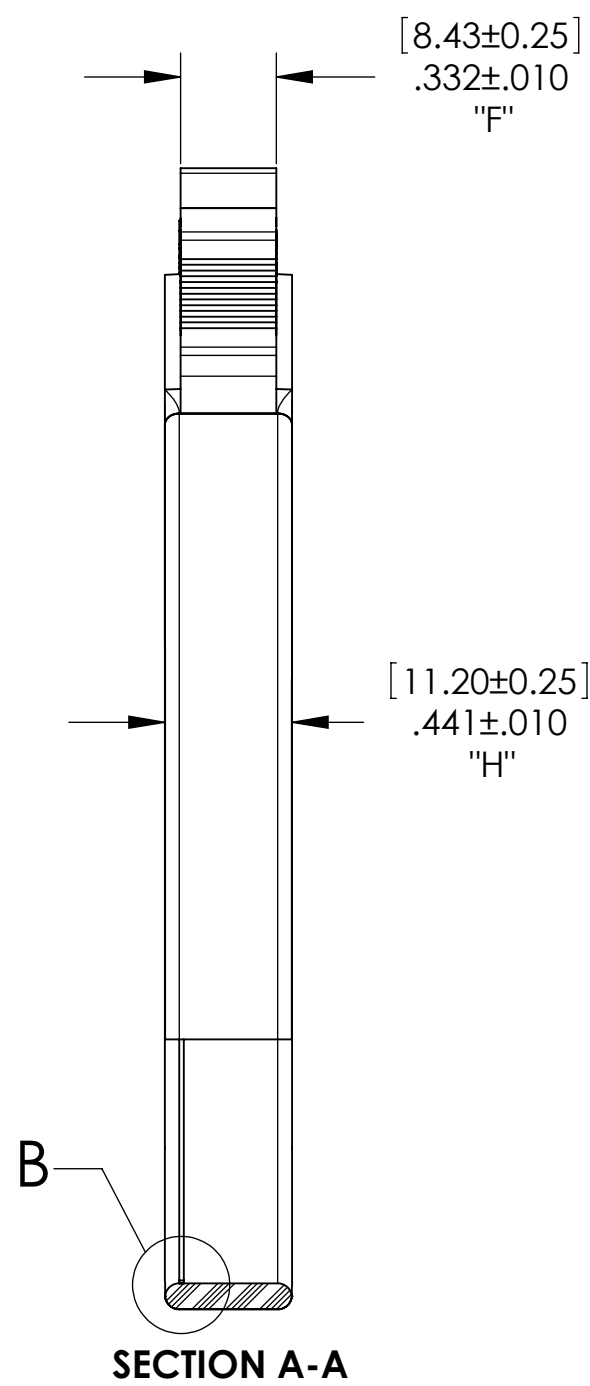
[79.40±0.51]
Ø3.126±.020
SEE NOTE 1
"D"



([78.66])
3.097
MAXIMUM 2 TEETH
ENGAGED
"A"



[88.32±0.51]
Ø3.477±.020
SEE NOTE 1
"E"



INVENTORS

HellermannTyton.

ALL PROPRIETARY RIGHTS IN THE SUBJECT MATTER SHOWN ON THIS DRAWING ARE EXCLUSIVE PROPERTY OF HELLERMANN TYTON

name date city, state

NOTES

- 1) INSIDE DIAMETERS ARE MEASURED IN THREE PLACES SPACED 120 DEGREES APART EXCLUDING RIB.
- 2) 28 TOTAL TEETH, 18 TEETH POSITIONS.

REVISIONS

level	01
by	K.A.C.
date	10/29/2003
ECN #	004150
part level	-

DIMENSIONS

.XXXX = [±.013]/±.0005
.XXX = [±.13]/±.005
.XX = [±.3]/±.01
.X = [±.8]/±.03
∠ = ±0.5°
unless otherwise specified
units [mm]/inches

PART

number	SNP80_	phase	Production
name			
SNP80 HOSE CLAMP			
material			
ACETAL			

DRAWING

format	C	SW 2004	scale	1.5:1
version N	CAD			
computer file name	CP2080002CST_01	previous drawing number		
drawn	K.A.C.	checked	K.A.C.	approved
date	10/29/2003	date	10/31/03	
type	Customer	sheet	1 of 1	
number	CP2080002CST			