

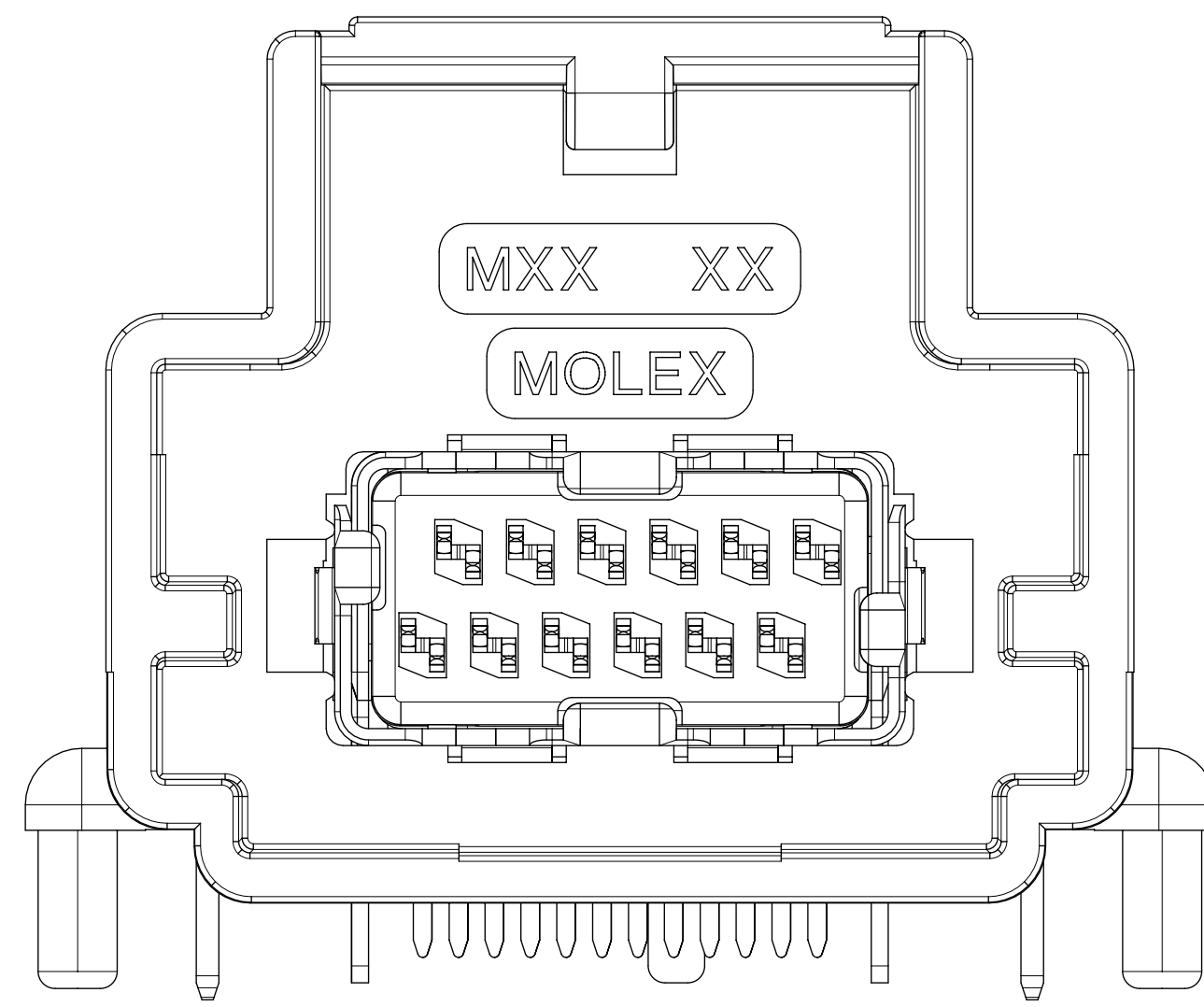
34861-1106

34861-1306 (2 SHIELD TABS)

34861-2106 (SMT) *NOT QUALIFIED*

KEY OPTION 'A'

COLOR: BLACK



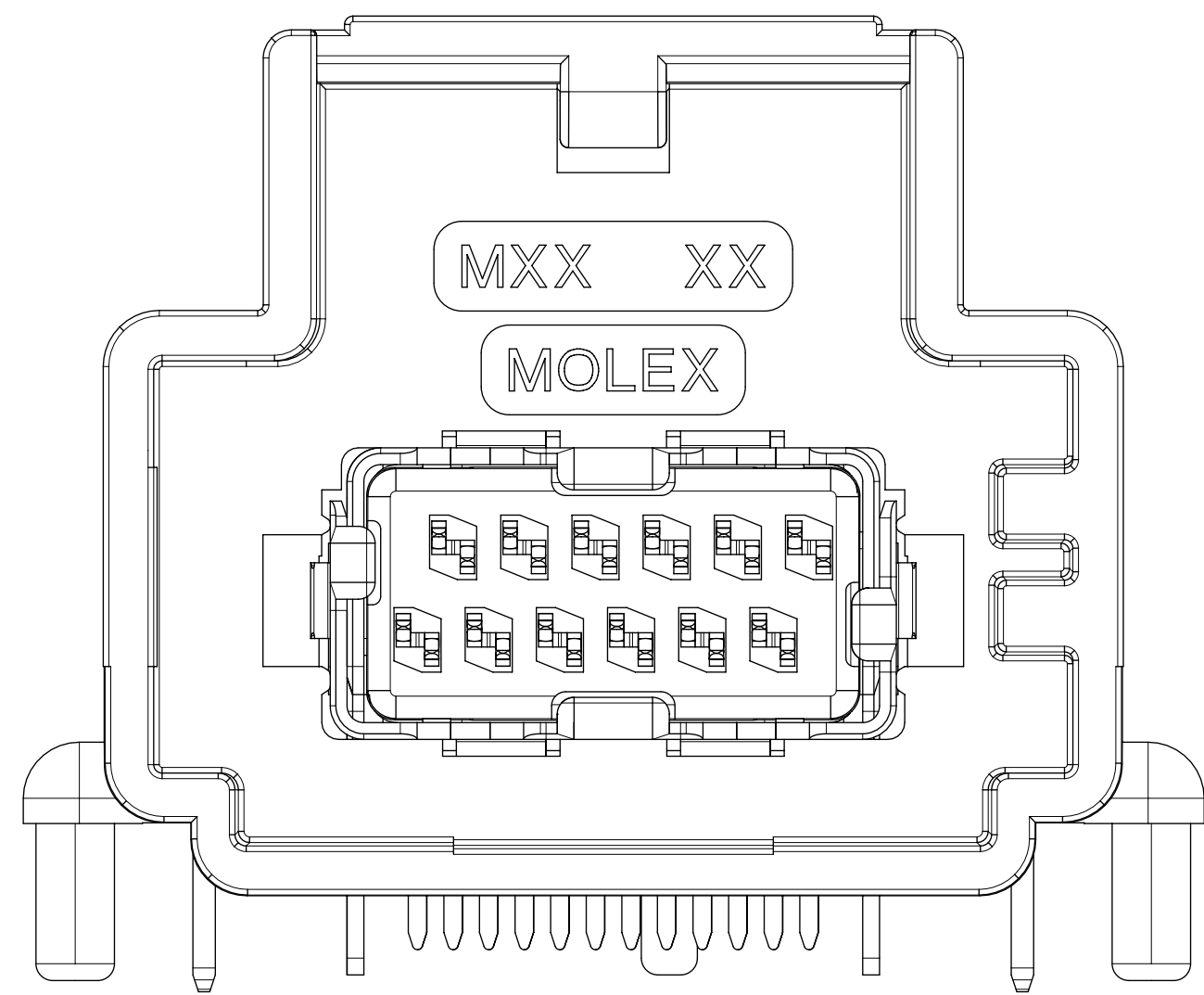
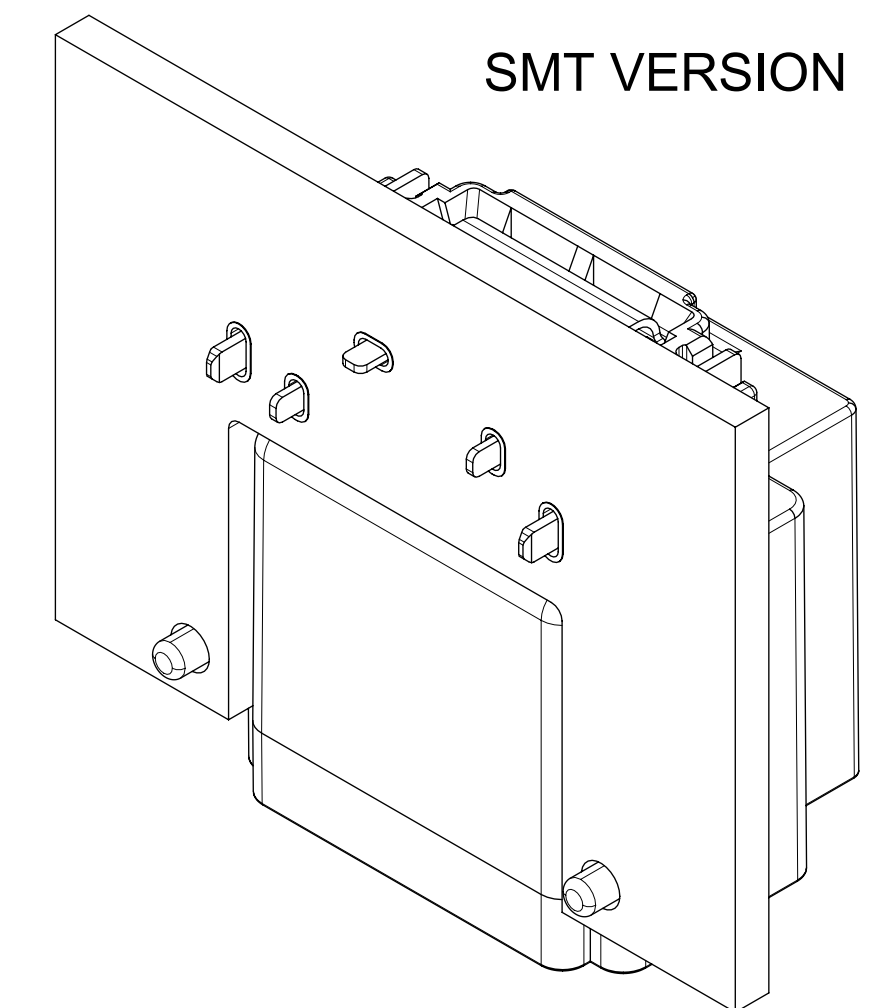
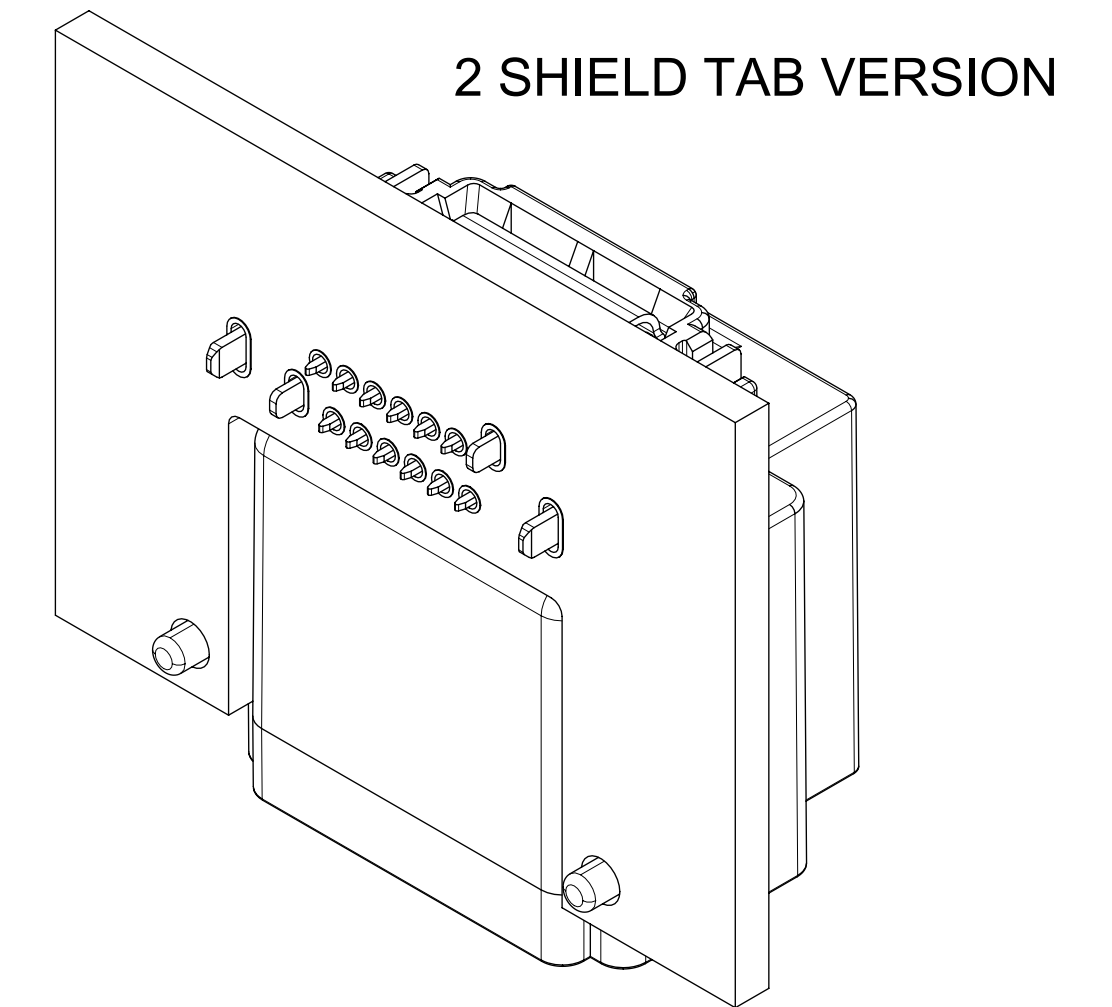
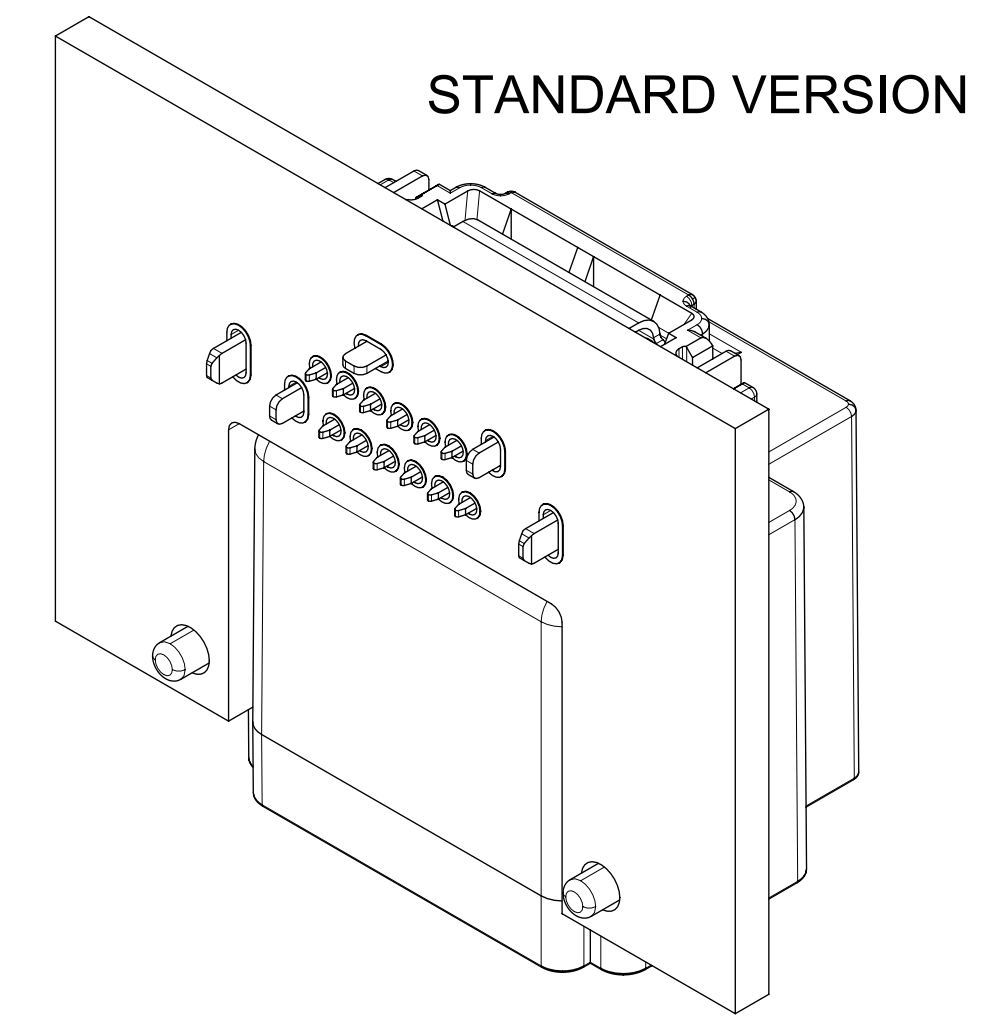
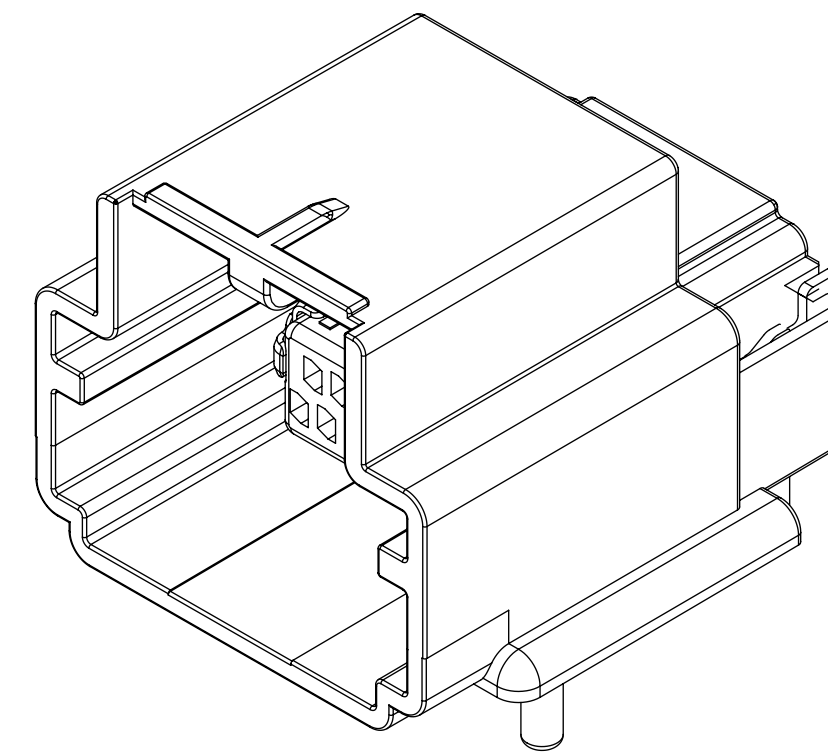
34861-1116

34861-1316 (2 SHIELD TABS)

34861-2116 (SMT) *NOT QUALIFIED*

KEY OPTION 'B'

COLOR: GRAY



34861-1126

34861-1326 (2 SHIELD TABS)

34861-2126 (SMT) *NOT QUALIFIED*

KEY OPTION 'C'

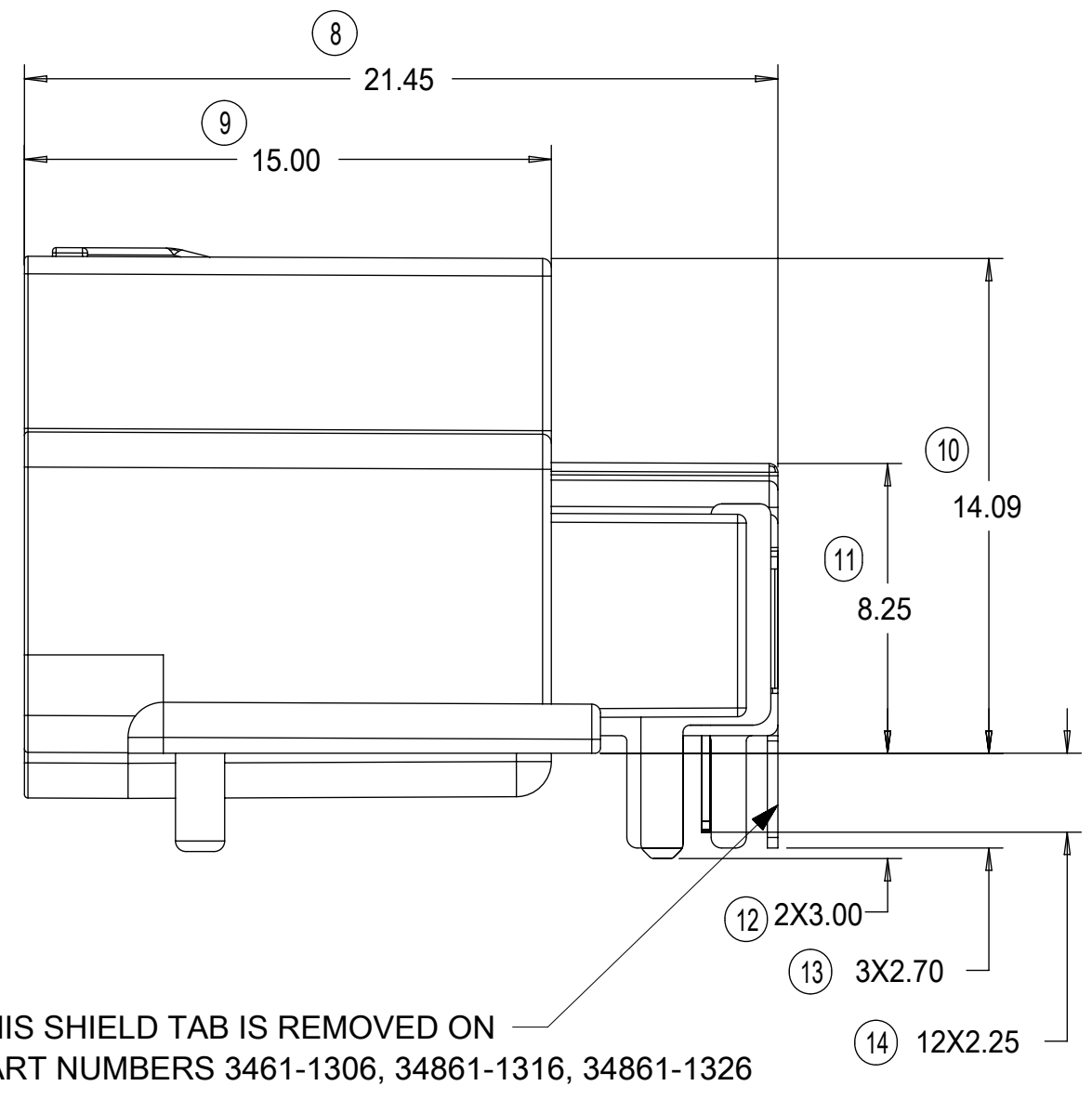
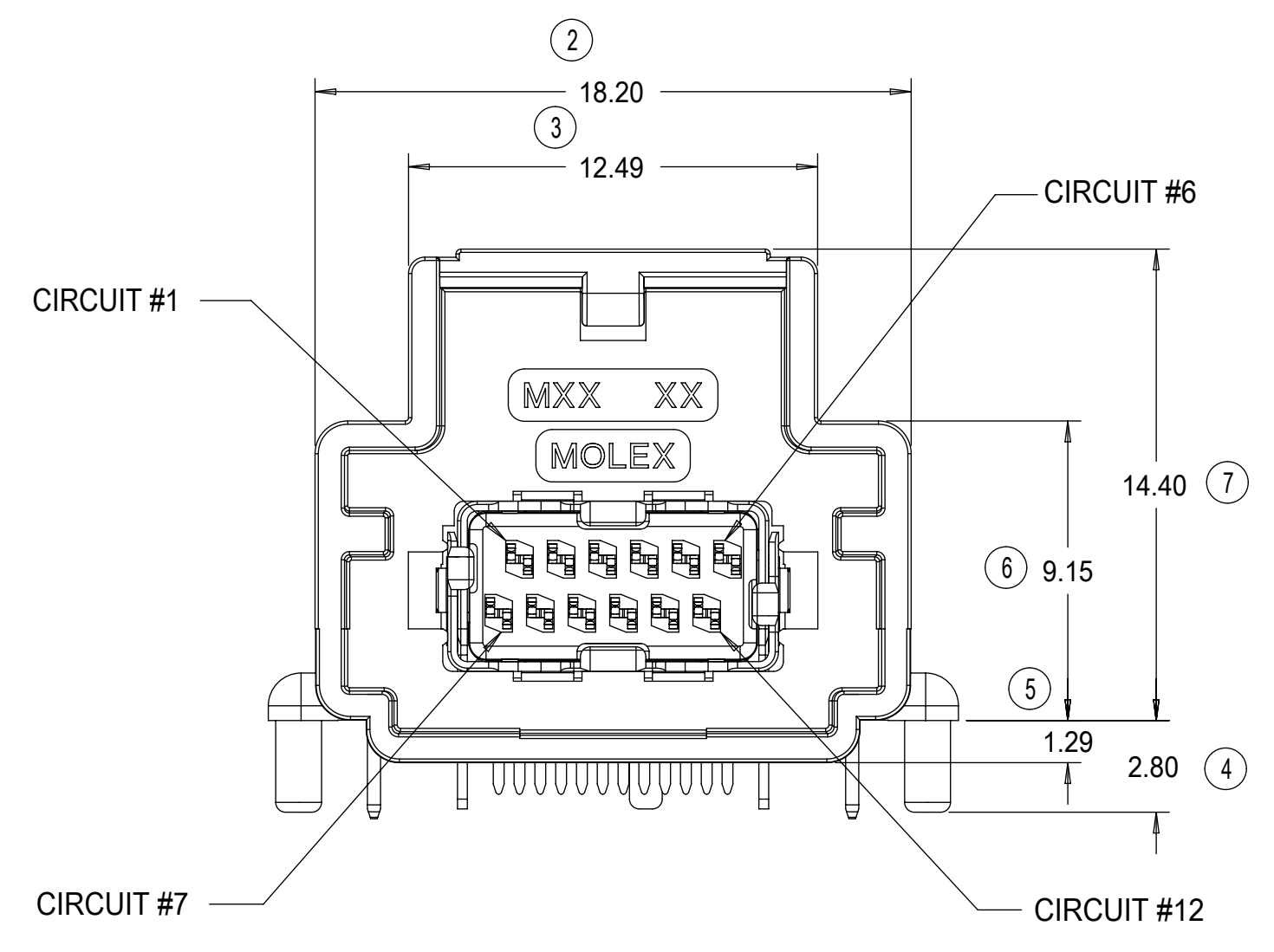
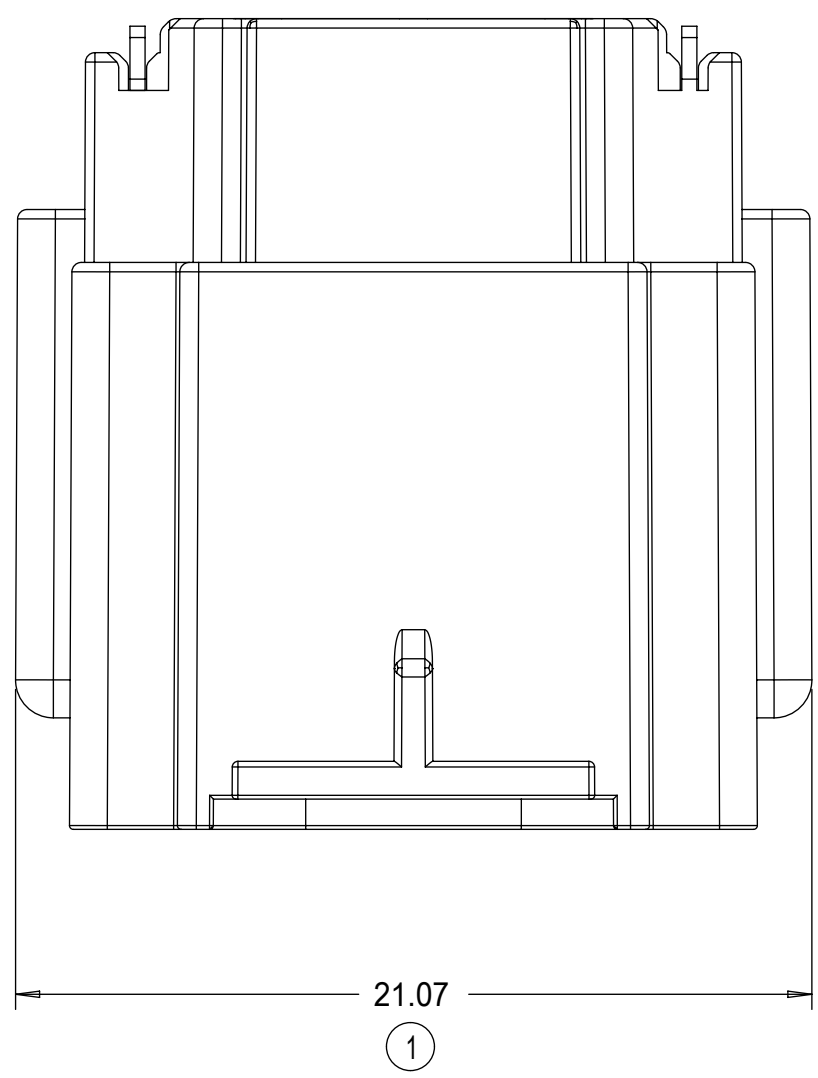
COLOR: BROWN

NOTES: VALID UNLESS OTHERWISE SPECIFIED

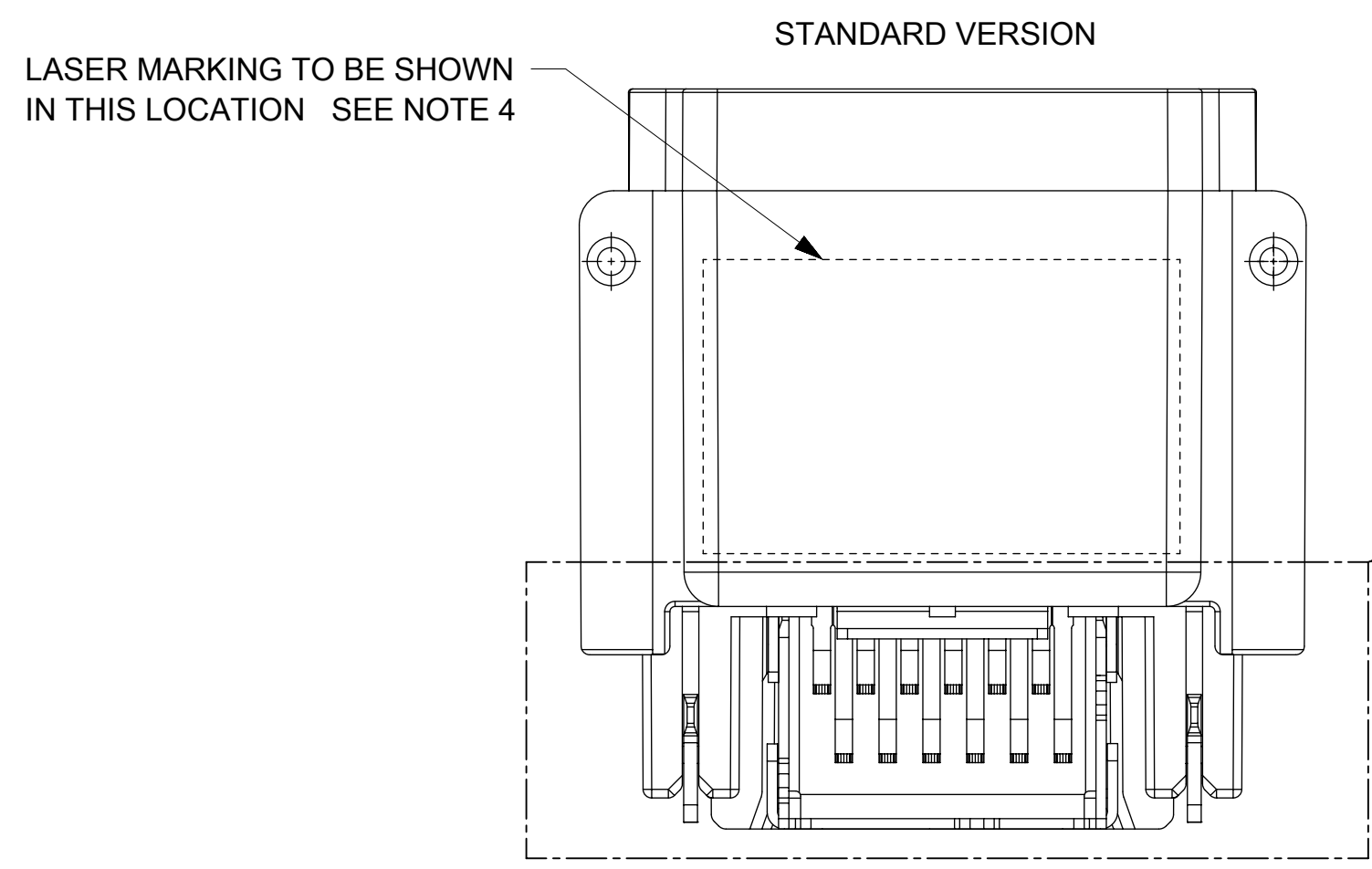
- MATERIALS:
 HEADER HOUSING: SPS, 30%GF
 TERMINALS - COPPER ALLOY
 OVERMOLDING - LCP, 30%GF
 BISCUIT - SPS, 30%GF
 SHIELDS - COPPER ALLOY
- TERMINAL MATE-SIDE PLATING: SELECTIVE GOLD OVER NICKEL
 TERMINAL PCB SIDE PLATING: TIN OVER NICKEL
 SHIELDS PLATING - TIN OVER NICKEL
- MATING CONNECTOR MINIMUM CLEARANCE: AREA TO REMAIN CLEAR OF
 MODULE COMPONENTS, ADHESIVE, DEBRIS, ETC.
- PCB TO BE FR4 0.062" (1.57mm) THICK
- LASER MARKING TO BE MARKED WITH:
 HUMAN READABLE CODE (HRC)
 -PERMANENTLY APPLIED ON THE PART WITH 1.5mm LETTER SIZE
 -INFORMATION TO BE PRINTED
 5 DIGIT JULIAN MANUFACTURING DATE STAMP YYDD

FUNCTIONAL SYMBOLS FA = 0 FC = 0 FD = 0	THIS DRAWING CONTAINS INFORMATION THAT IS PROPRIETARY TO MOLEX ELECTRONIC TECHNOLOGIES, LLC AND SHOULD NOT BE USED WITHOUT WRITTEN PERMISSION	CURRENT REV DESC: UPDATED PCB LAYOUT - PIN HOLE DIA					
	DIMENSION UNITS: mm	SCALE: 8:1	EC NO: 644293				HSAUTOLINK II UNSEALED HEADER 12CKT R/A
	GENERAL TOLERANCES (UNLESS SPECIFIED)	4 PLACES ±		DRWN: HKASSAB	2018/06/04		
	ANGULAR TOL ± °	3 PLACES ±		CHK'D: SMAMIDINAGAV	2020/08/24		
DIVISIONAL SYMBOLS	2 PLACES ± 0.2		APPR: DGILKEY	2020/09/01			
1 PLACE ±		INITIAL REVISION:		DOCUMENT NUMBER			
0 PLACES ±		DRWN: HKASSAB		DOC TYPE			
DRAFT WHERE APPLICABLE MUST REMAIN WITHIN DIMENSIONS		APPR: DNAYLIS		DOC PART			
THIRD ANGLE PROJECTION		2016/11/14		REVISION			
DRAWING		2017/07/19		SD-34861-1106			
D-SIZE		SERIES		PSD 000 D1			
34861		MATERIAL NUMBER		CUSTOMER			
GENERAL MARKET		SHEET NUMBER		1 OF 4			

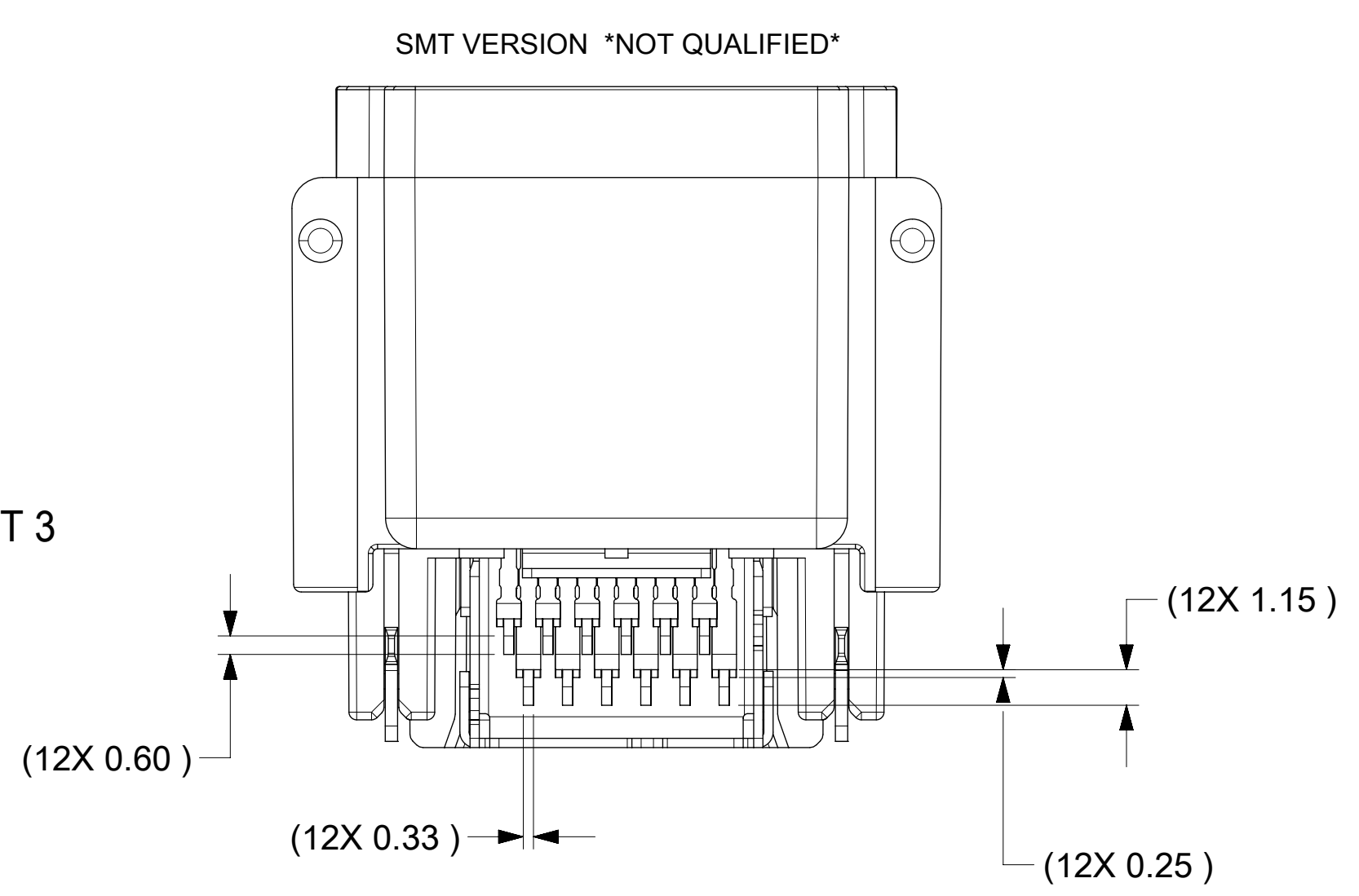
REV	DESCRIPTION	ENGINEER	DATE
D1	UPDATED PCB LAYOUT - PIN HOLE DIA	SUDAYGUNAGI	23JULY2020



THIS SHIELD TAB IS REMOVED ON PART NUMBERS 3461-1306, 34861-1316, 34861-1326

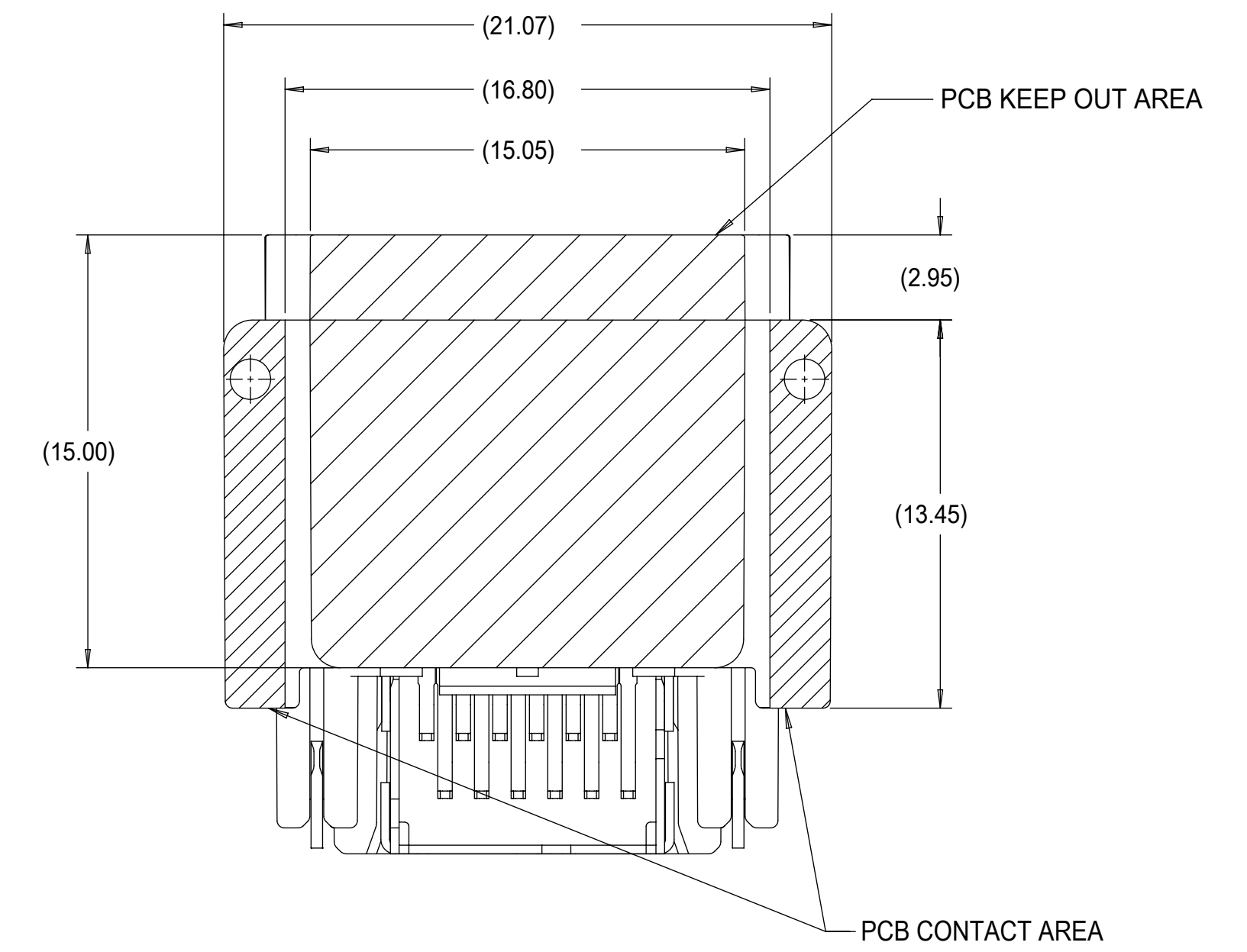


LASER MARKING TO BE SHOWN IN THIS LOCATION SEE NOTE 4

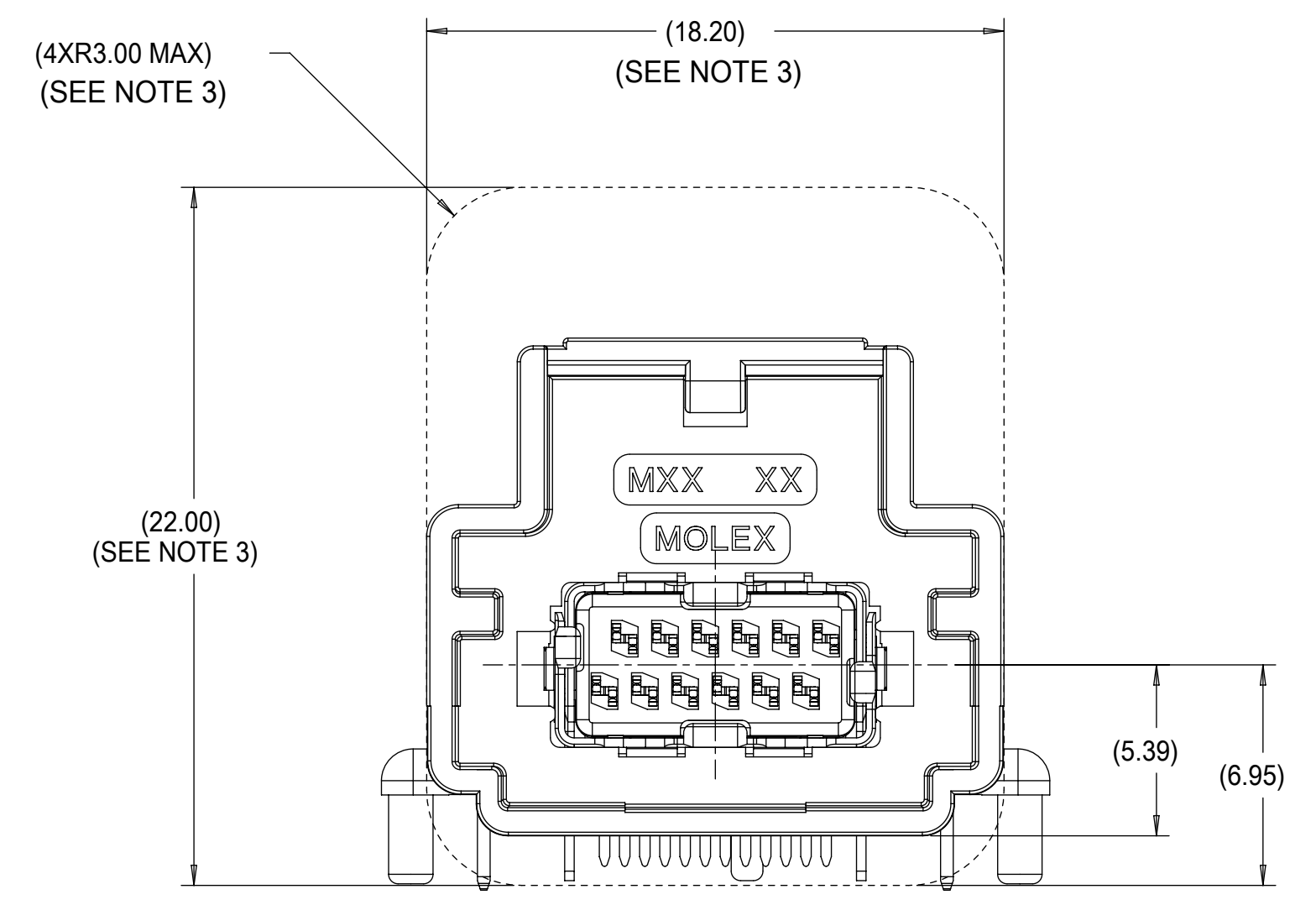


DETAIL 3
SEE SHEET 3

PCB CLEAROUT REGIONS

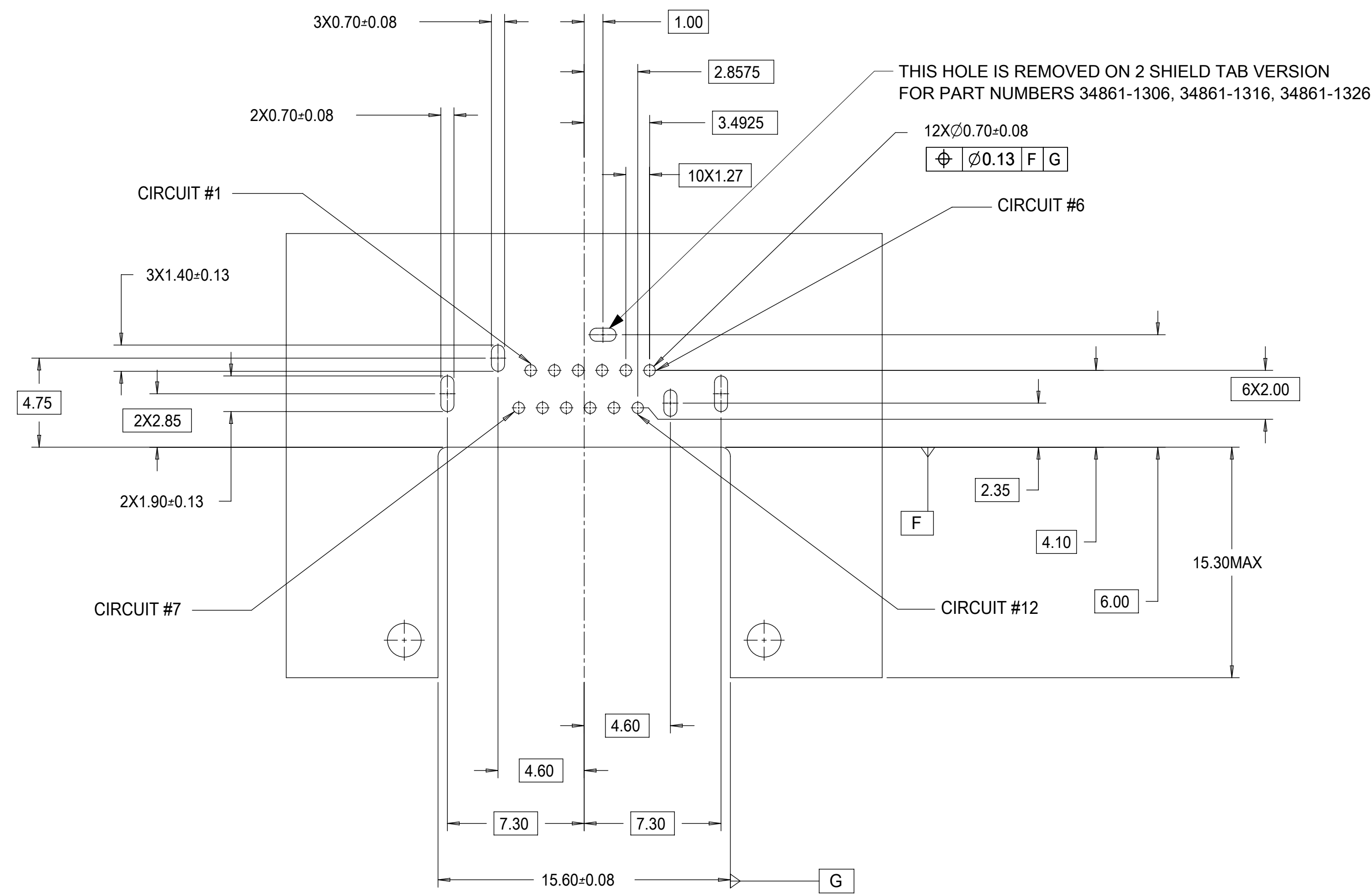


HEADER-TO-MODULE INTERFACE REQUIREMENTS



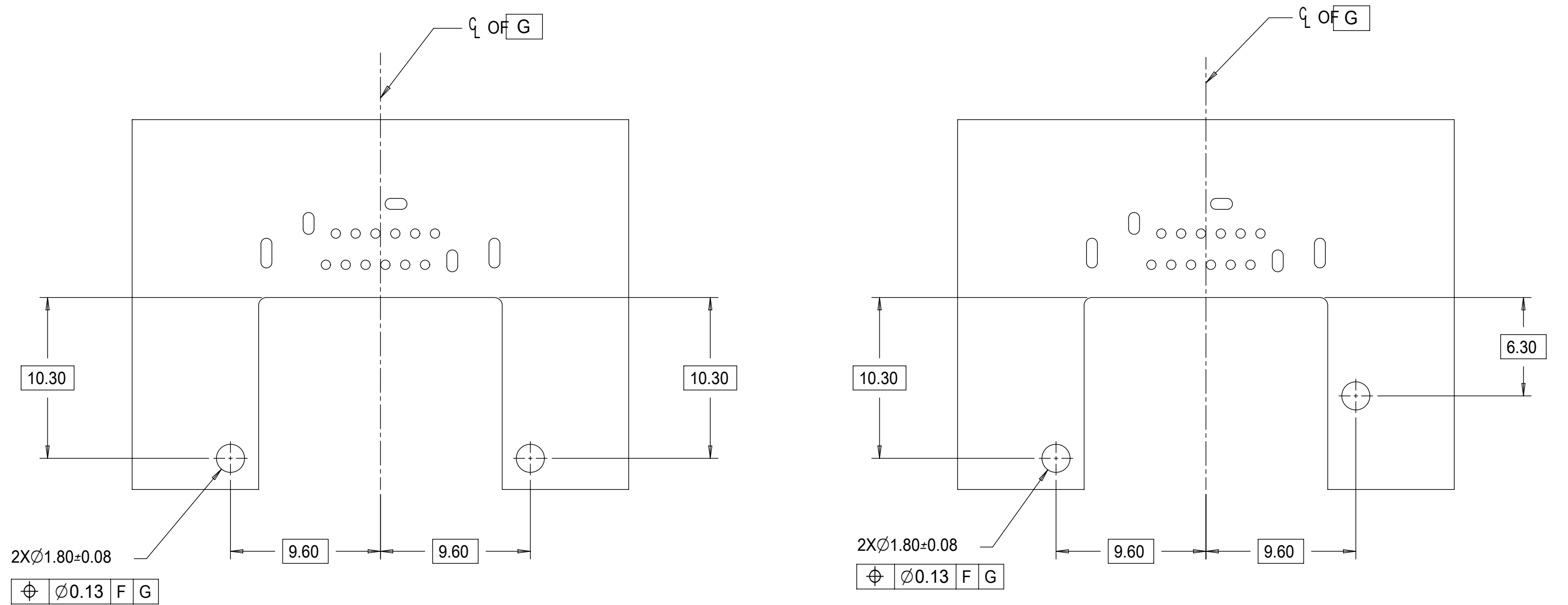
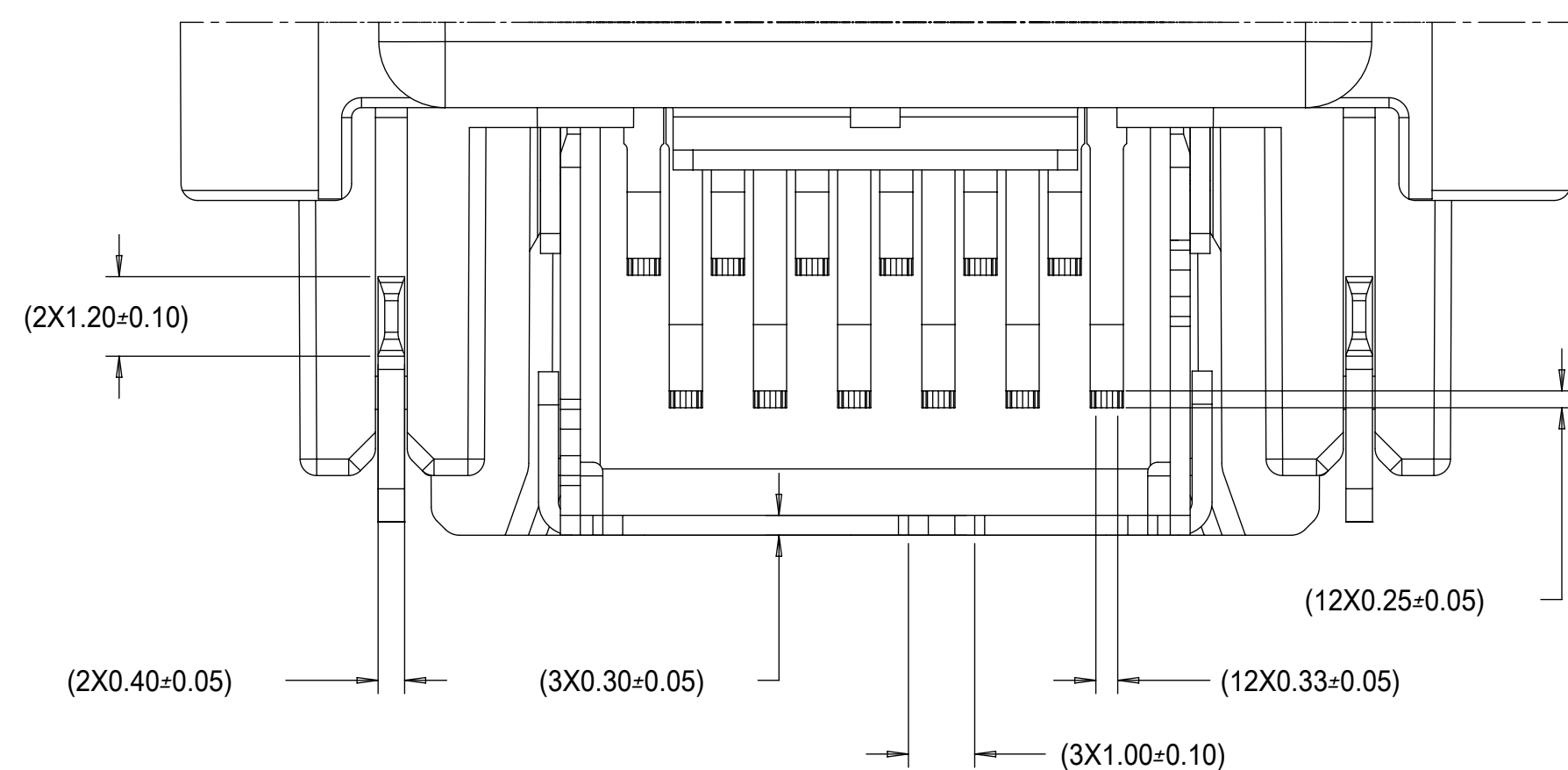
FUNCTIONAL SYMBOLS $\nabla_A = 0$ $\nabla_C = 0$ $\nabla_D = 0$	THIS DRAWING CONTAINS INFORMATION THAT IS PROPRIETARY TO MOLEX ELECTRONIC TECHNOLOGIES, LLC AND SHOULD NOT BE USED WITHOUT WRITTEN PERMISSION		DIMENSION UNITS: mm SCALE: 5:1		CURRENT REV DESC: UPDATED PCB LAYOUT - PIN HOLE DIA	
	GENERAL TOLERANCES (UNLESS SPECIFIED)		EC NO: 644293 DRWN: HKASSAB 2018/06/04		molex HSAUTOLINK II UNSEALED HEADER 12CKT R/A	
	ANGULAR TOL: \pm °		CHK'D: SMAMIDINAGAV 2020/08/24			
	DIVISIONAL SYMBOLS		4 PLACES: \pm 3 PLACES: \pm 2 PLACES: ± 0.2 1 PLACE: \pm 0 PLACES: \pm		APPR: DGILKEY 2020/09/01	
DRAFT WHERE APPLICABLE MUST REMAIN WITHIN DIMENSIONS		THIRD ANGLE PROJECTION		INITIAL REVISION: DRWN: HKASSAB 2016/11/14 APPR: DNAYLIS 2017/07/19		
DOCUMENT STATUS: P1 RELEASE DATE: 2020/09/01 20:59:25		DRAWING: D-SIZE SERIES: 34861		MATERIAL NUMBER: SD-34861-1106 CUSTOMER: GENERAL MARKET		
		SHEET NUMBER: 2 OF 4				

RECOMMENDED PCB LAYOUT - HEADER SIDE PCB



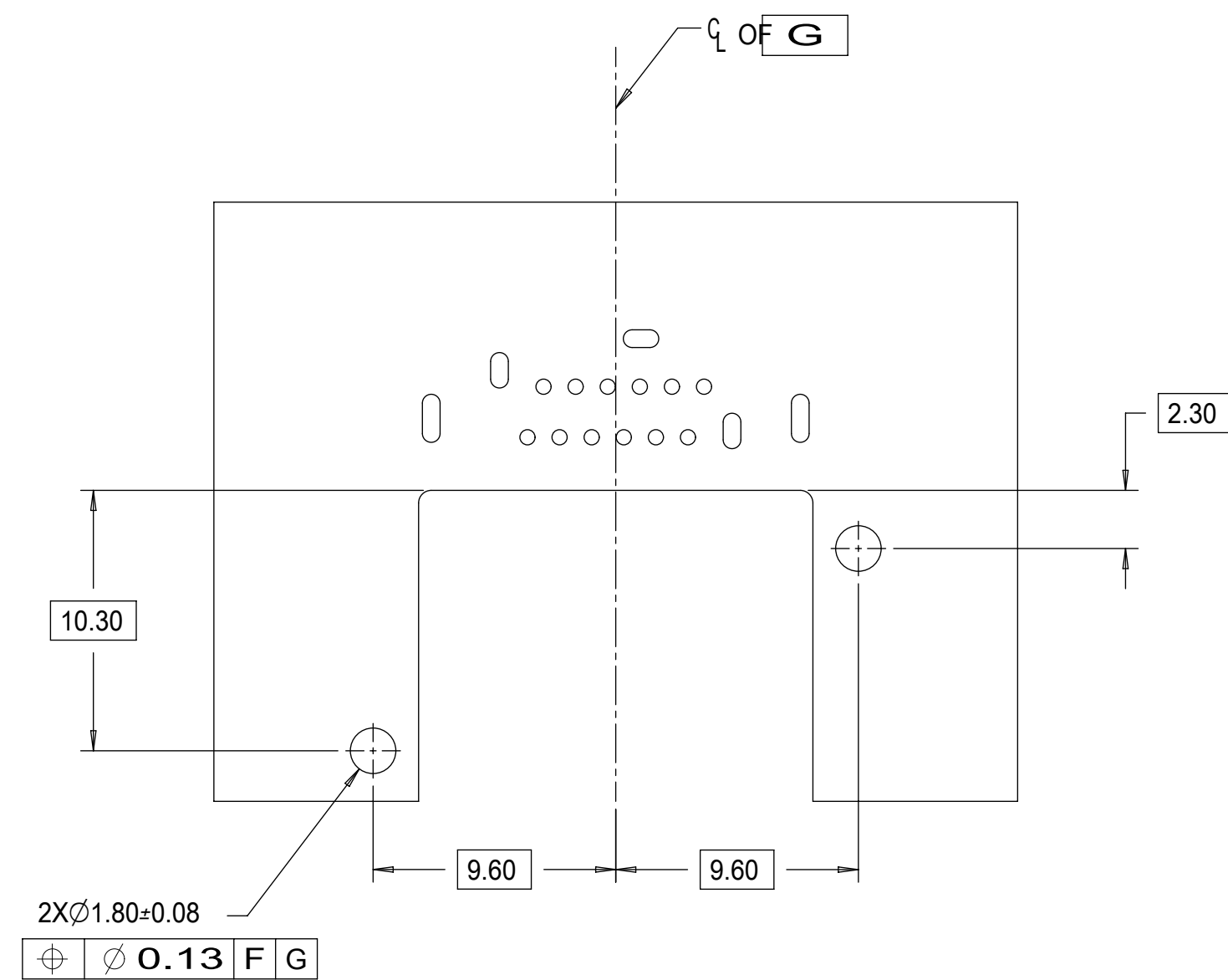
ALL THROUGH HOLE DIMENSIONS ARE APPLICABLE FOR ALL KEY OPTIONS

SOLDER TAILS SIZE FOR REFERENCE ONLY



PCB KEY FEATURES OPTION 'A'

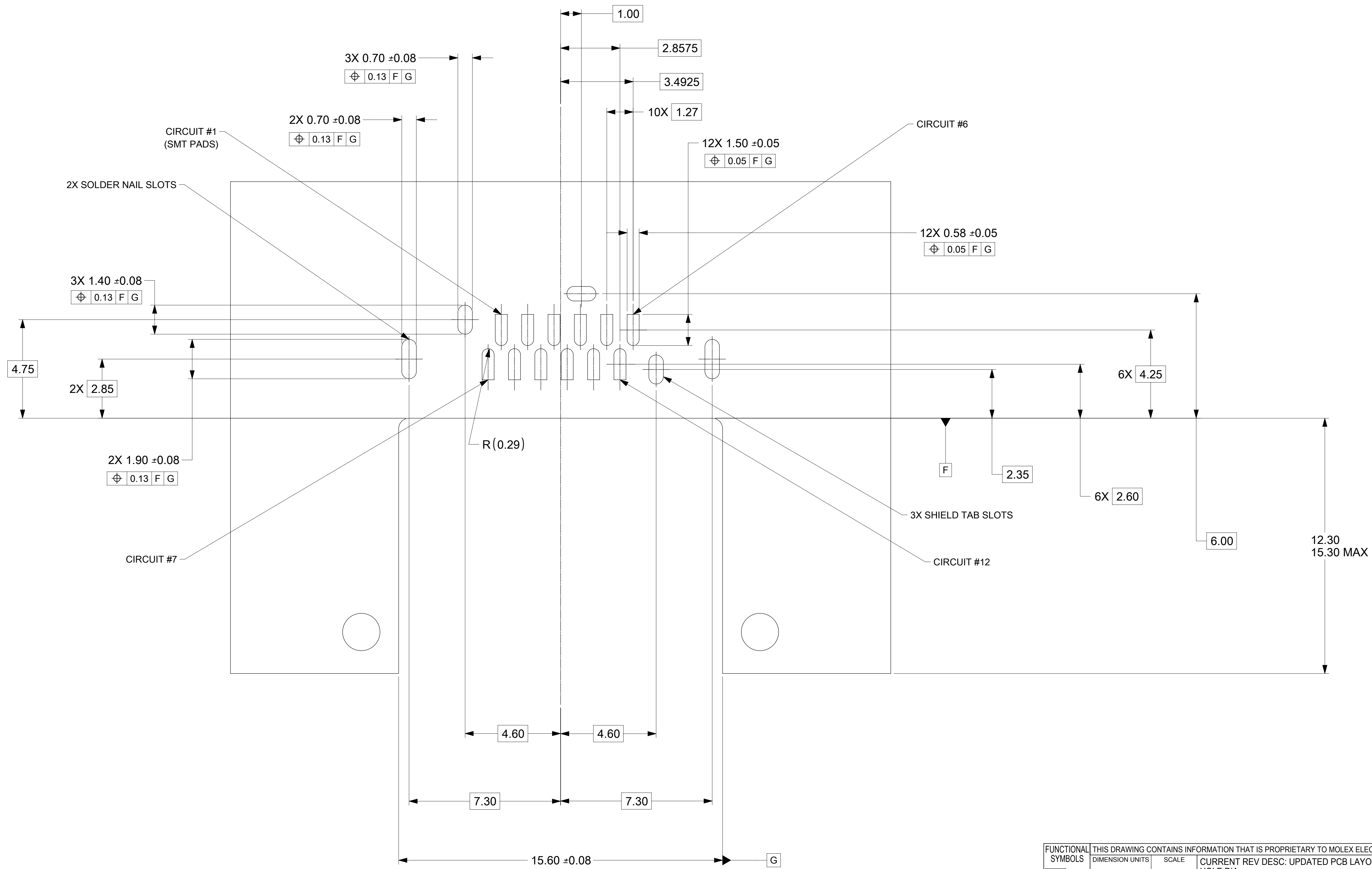
PCB KEY FEATURES OPTION 'B'



PCB KEY FEATURES OPTION 'C'

FUNCTIONAL SYMBOLS FA = 0 FE = 0 FP = 0 DIVISIONAL SYMBOLS	THIS DRAWING CONTAINS INFORMATION THAT IS PROPRIETARY TO MOLEX ELECTRONIC TECHNOLOGIES, LLC AND SHOULD NOT BE USED WITHOUT WRITTEN PERMISSION		DIMENSION UNITS: mm SCALE: 1:1		CURRENT REV DESC: UPDATED PCB LAYOUT - PIN HOLE DIA			
	GENERAL TOLERANCES (UNLESS SPECIFIED) ANGULAR TOL ± °		EC NO: 644293 DRWN: HKASSAB 2018/06/04 CHK'D: SMAMIDINAGAV 2020/08/24 APPR: DGILKEY 2020/09/01		HSAUTOLINK II UNSEALED HEADER 12CKT R/A			
	4 PLACES ± 3 PLACES ± 2 PLACES ± 0.2 1 PLACE ± 0 PLACES ±		INITIAL REVISION: DRWN: HKASSAB 2016/11/14 APPR: DNAYLIS 2017/07/19		PRODUCT CUSTOMER DRAWING		DOCUMENT NUMBER: SD-34861-1106 DOC TYPE: PSD DOC PART: 000 REVISION: D1	
	DRAFT WHERE APPLICABLE MUST REMAIN WITHIN DIMENSIONS		THIRD ANGLE PROJECTION		DRAWING: D-SIZE SERIES: 34861		MATERIAL NUMBER: _____ CUSTOMER: GENERAL MARKET SHEET NUMBER: 3 OF 4	

RECOMMENDED SMT PCB LAYOUT - HEADER SIDE PCB *NOT QUALIFIED*



FUNCTIONAL SYMBOLS FA = 0 FC = 0 FP = 0 DIVISIONAL SYMBOLS	THIS DRAWING CONTAINS INFORMATION THAT IS PROPRIETARY TO MOLEX ELECTRONIC TECHNOLOGIES, LLC AND SHOULD NOT BE USED WITHOUT WRITTEN PERMISSION		
	DIMENSION UNITS	SCALE	CURRENT REV DESC: UPDATED PCB LAYOUT - PIN HOLE DIA
	mm	10:1	
	GENERAL TOLERANCES (UNLESS SPECIFIED)		
	ANGULAR TOL	±	°
	4 PLACES	±	EC NO: 644293
	3 PLACES	±	DRWN: HKASSAB 2018/06/04
	2 PLACES	± 0.2	CHK'D: SMAMIDINAGAV 2020/08/24
	1 PLACE	±	APPR: DGILKEY 2020/09/01
	0 PLACES	±	INITIAL REVISION:
	DRAFT WHERE APPLICABLE MUST REMAIN WITHIN DIMENSIONS		DRWN: HKASSAB 2016/11/14
	THIRD ANGLE PROJECTION		APPR: DNAYLIS 2017/07/19
	DRAWING	SERIES	DOCUMENT NUMBER
	D-SIZE	34861	SD-34861-1106
	MATERIAL NUMBER		DOC TYPE
	CUSTOMER		PSD
	SHEET NUMBER		000
			D1
	GENERAL MARKET		REVISION
	4 OF 4		