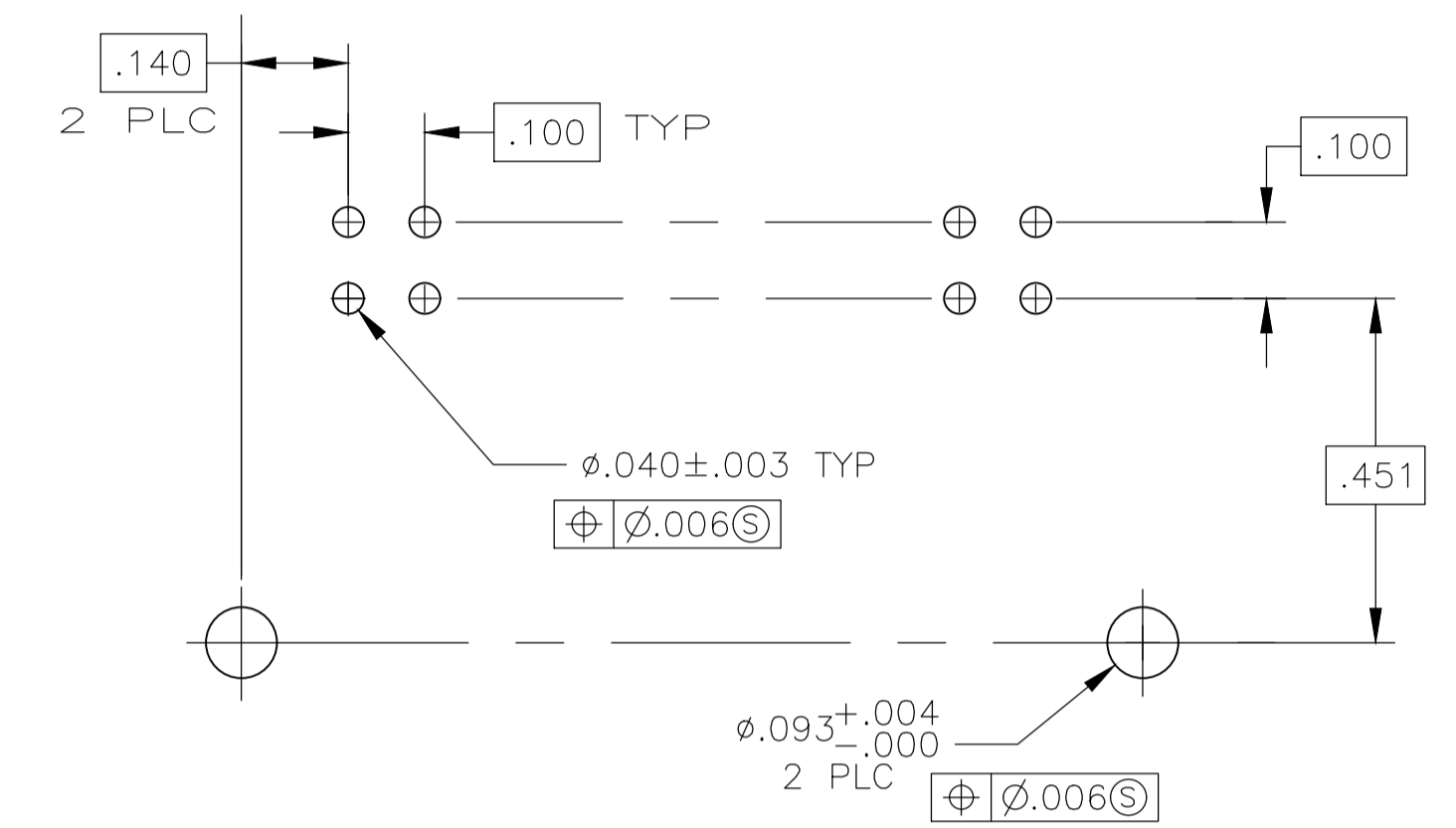
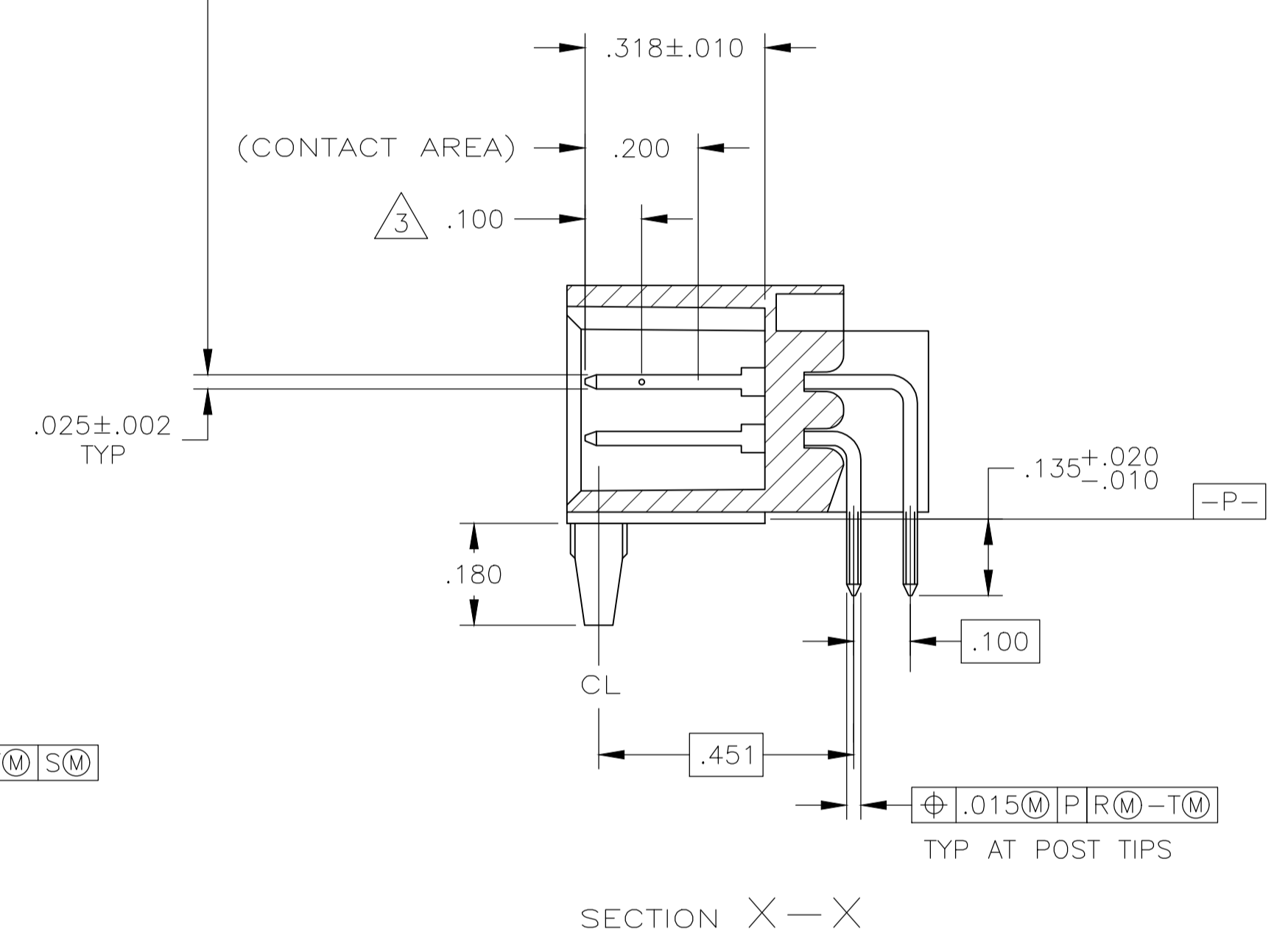
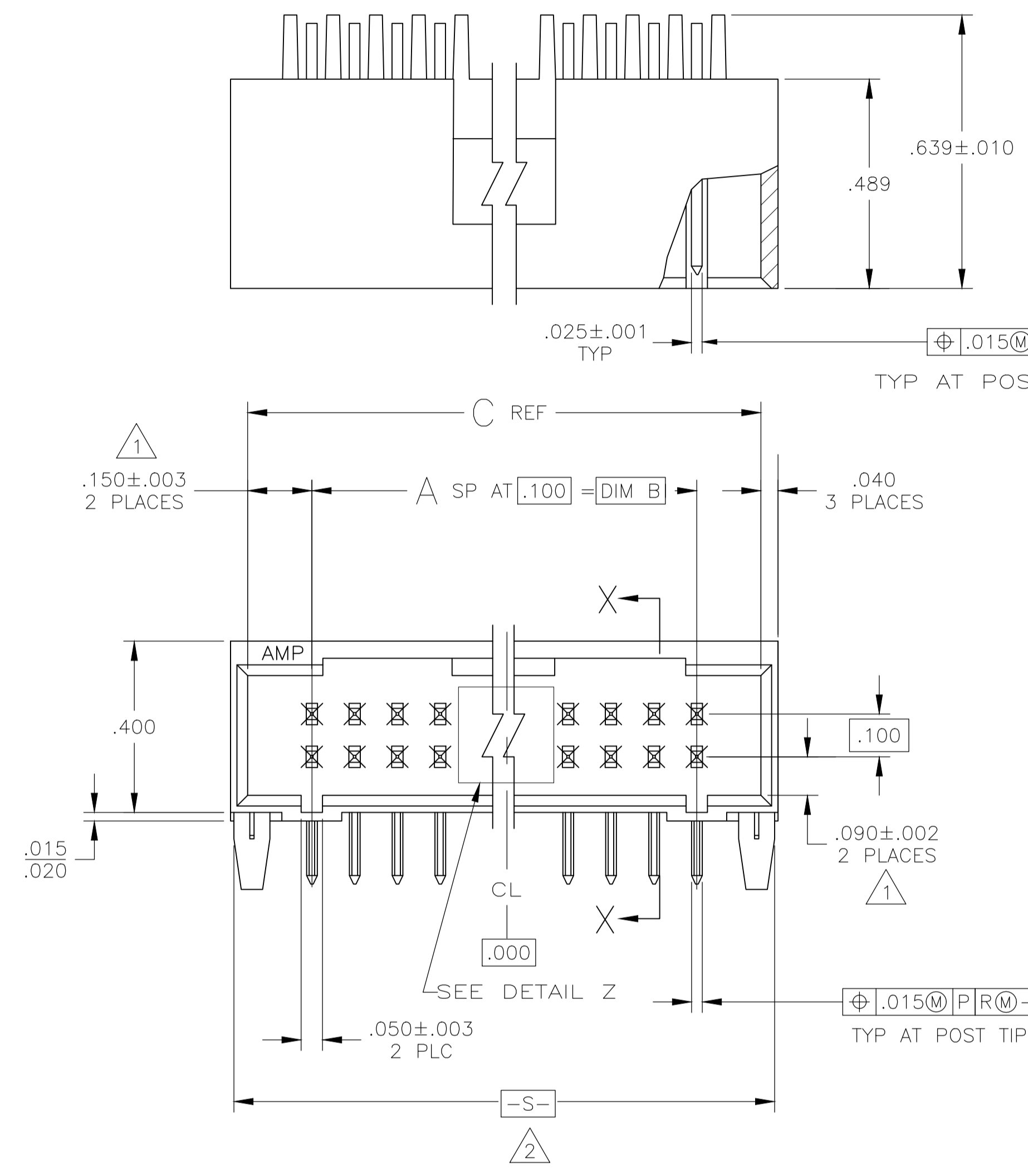
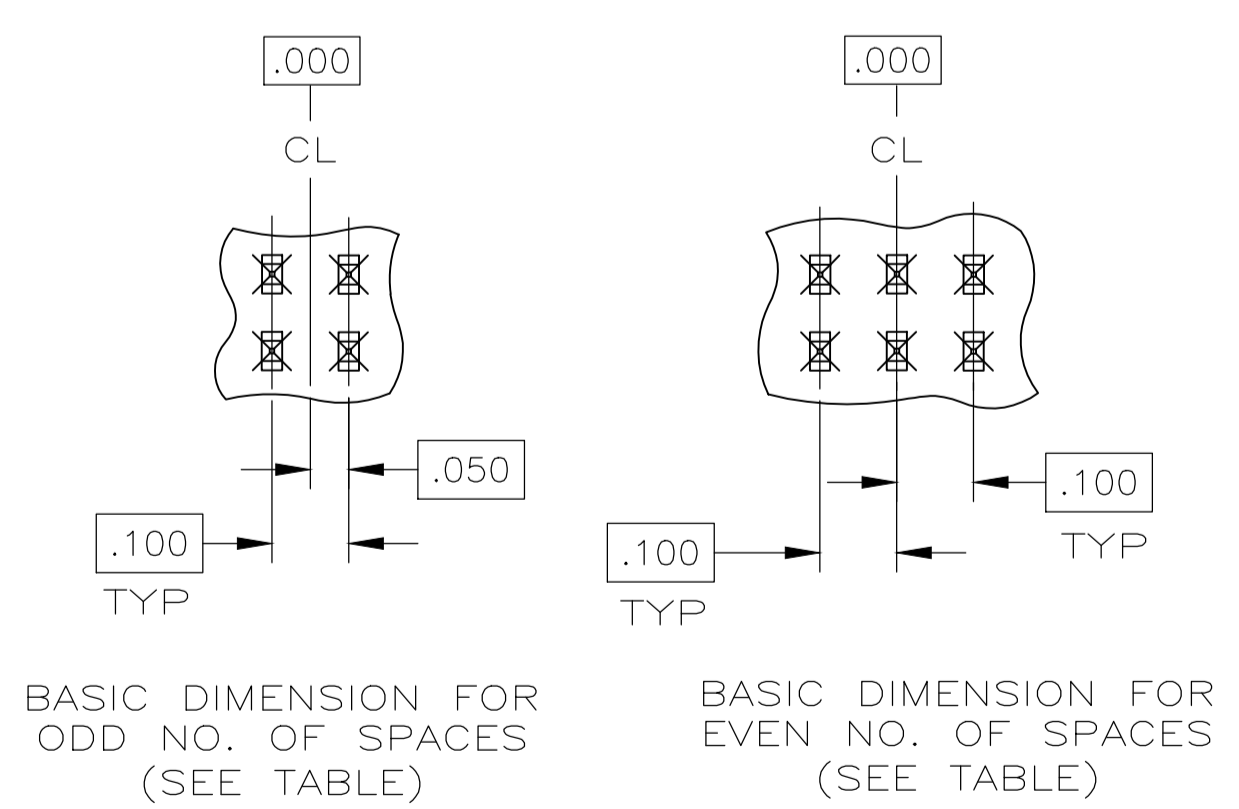
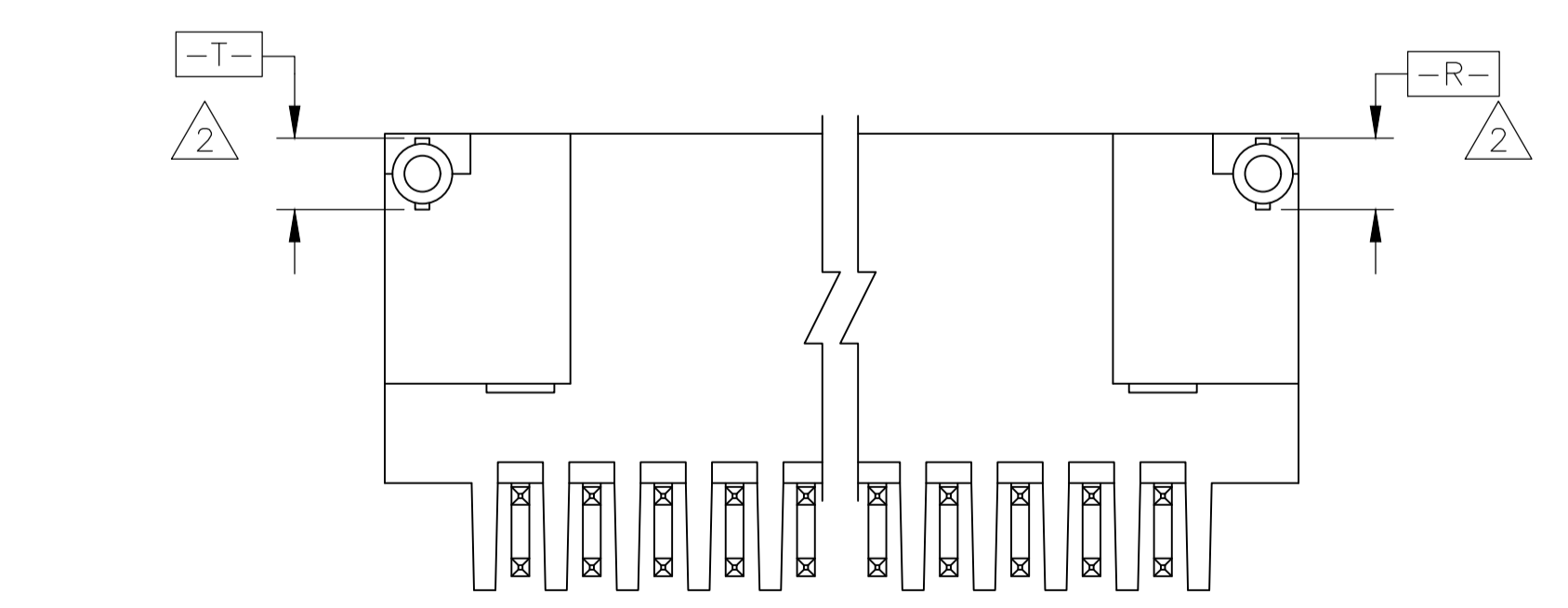


REVISIONS					
P	LTR	DESCRIPTION	DATE	DMN	APVD
H3		PART STATUS UPDATED IN PART LIST TABLE	16FEB2018	SD	PS

- 1 THE NOTED DIMENSIONS APPLY AT THE INTERSECTION OF THE POST AND HOUSING
- 2 THE NOTED DIMENSIONS APPLY AT THE INTERSECTION WITH DATUM $-P-$
- 3 POINT OF MEASUREMENT FOR PLATING THICKNESS
- 4 POSTS: .000015 GOLD IN CONTACT AREA, .000100-.000200 MATTE TIN-LEAD ON SOLDER TAIL, ALL OVER .000050 NICKEL
- 5 POSTS: .000015 GOLD IN CONTACT AREA, .000100-.000200 MATTE TIN ON SOLDER TAIL, ALL OVER .000050 NICKEL
- 6 OBSOLETE PARTS: OBSOLETE CIS STREAMLINING PER D.RENAUD/D.SINISI



RECOMMENDED HOLE LAYOUT



DETAIL Z

REV	DESCRIPTION	DATE	DMN	APVD			
6	OBSOLETE	23	2.600	2.300	23	48	5-104319-9
5		5	.800	.500	5	12	5-104319-8
4		4	.700	.400	4	10	5-104319-7
6	OBSOLETE	16	1.900	1.600	16	34	5-104319-6
6		6	.900	.600	6	14	5-104319-5
5		19	2.200	1.900	19	40	5-104319-4
5		14	1.700	1.400	14	30	5-104319-3
5		9	1.200	.900	9	20	5-104319-2
5		7	1.000	.700	7	16	5-104319-1
6	OBSOLETE	23	2.600	2.300	23	48	104319-9
5		5	.800	.500	5	12	104319-8
4		4	.700	.400	4	10	104319-7
4		16	1.900	1.600	16	34	104319-6
4		6	.900	.600	6	14	104319-5
4		19	2.200	1.900	19	40	104319-4
4		14	1.700	1.400	14	30	104319-3
4		9	1.200	.900	9	20	104319-2
4		7	1.000	.700	7	16	104319-1

SUPERCEDED BY 5-104319-7

PLATING	NO OF SPACES	C	B	A	NO OF POSN	ASSEMBLY PART NUMBER

THIS DRAWING IS A CONTROLLED DOCUMENT. DIN H MOLL 19-10-87. CHK R FEJDT 19-10-87. APVD -

DIMENSIONS: INCHES. TOLERANCES UNLESS OTHERWISE SPECIFIED: 0 PLC ± -, 1 PLC ± -, 2 PLC ± -, 3 PLC ± .005, 4 PLC ± -. ANGLES ± -.

MATERIAL: HOUSING, FLAME RETARDANT THERMOPLASTIC; COLOR-BLACK; POSTS, PHOS BRONZE. FINISH: SEE TABLE.

WEIGHT: -. SIZE: A1. CAGE CODE: 00779. DRAWING NO: 104319. RESTRICTED TO: CUSTOMER DRAWING. SCALE: 4:1. SHEET: 1 OF 1. REV: H3.

STE TE Connectivity
HDR ASSY, MOD II, SHROUDED, 4 SIDES, DR, .100X.100 q, RT ANGLE, W/ .025 SQ POSTS