

Features

- Static Silicon-Gate CMOS Circuitry
- Parallel 8-Bit Data Register and Buffer
- Handshaking Via Service Request Flip-Flop
- Low Quiescent and Operating Power
- Interfaces Directly with CDP1800-Series Microprocessors
- Single Voltage Supply
- Full Military Temperature Range (-55°C to +125°C)

Ordering Information

| PACKAGE | TEMP. RANGE | 5V | 10V | PKG. NO. |
|---------|----------------|-----------|----------|----------|
| PDIP | -40°C to +85°C | CDP1852CE | CDP1852E | E24.6 |
| SBDIP | -40°C to +85°C | CDP1852CD | CDP1852D | D24.6 |

Description

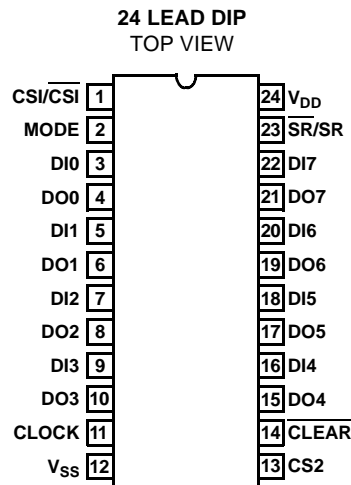
The CDP1852 and CDP1852C are parallel, 8-bit, mode-programmable input/output ports. They are compatible and will interface directly with CDP1800-series microprocessors. They are also useful as 8-bit address latches when used with the CDP1800 multiplexed address bus and as I/O ports in general-purpose applications.

The mode control is used to program the device as an input port (mode = 0) or as an output port (mode = 1). The \overline{SR}/SR output can be used as a signal to indicate when data is ready to be transferred. In the input mode, a peripheral device can strobe data into the CDP1852, and microprocessor can read that data by device selection. In the output mode, a microprocessor strobes data into the CDP1852, and handshaking is established with a peripheral device when the CDP1852 is deselected.

In the input mode, data at the data-in terminals (DI0-DI7) is strobed into the port's 8-bit register by a high (1) level on the clock line. The negative high-to-low transition of the clock latches the data in the register and sets the service request output low ($\overline{SR}/SR = 0$). When CS1/ $\overline{CS1}$ and CS2 are high (CS1/ $\overline{CS1}$ and CS2 = 1), the three-state output drivers are enabled and data in the 8-bit register appear at the data-out terminals (DO0-DO7). When either CS1/ $\overline{CS1}$ or CS2 goes low (CS1/ $\overline{CS1}$ or CS2 = 0), the data-out terminals are three-stated and the service request output returns high ($\overline{SR}/SR = 1$).

In the output mode, the output drivers are enabled at all times. Data at the data-in terminals (DI0-DI7) is strobed into the 8-bit register when CS1/ $\overline{CS1}$ is low (CS1/ $\overline{CS1} = 0$) and CS2 and the clock are high (1), and are present at the data-out terminals (DO0-DO7). The negative high-to-low transition of the clock latches the data in the register. The \overline{SR}/SR output goes high ($\overline{SR}/SR = 1$) when the device is deselected (CS1/ $\overline{CS1} = 1$ or CS2 = 0) and returns low ($\overline{SR}/SR = 0$) on the following trailing edge of the clock.

Pinout



Typical CDP1802 Microprocessor System

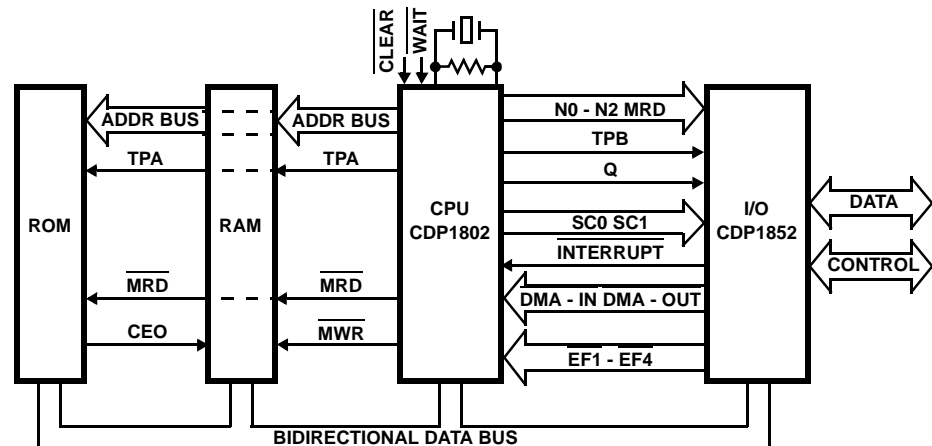


FIGURE 1.

CDP1852, CDP1852C

Absolute Maximum Ratings

| | |
|--|-------------------------|
| DC Supply-voltage Range, (V_{DD}) (Voltage Referenced to V_{SS} Terminal) | |
| CDP1852 | -0.5 to +11V |
| CDP1852C | -0.5 to +7V |
| Input Voltage Range, All Inputs | -0.5 to $V_{DD} + 0.5V$ |
| DC Input Current, Any One Input | $\pm 10mA$ |
| Device Dissipation Per Output Transistor | 100mW |
| For T_A = Full Package-Temperature Range (All Package Type) | |

Thermal Information

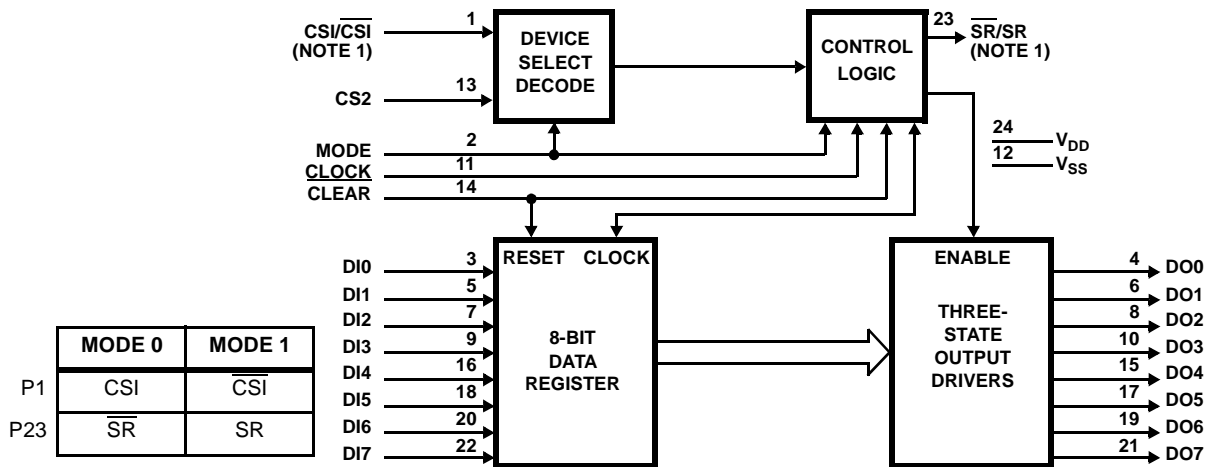
| | | |
|---|-------------------------------------|---------------------------------|
| Thermal Resistance (Typical) | θ_{JA} ($^{\circ}C/W$) | θ_{JC} ($^{\circ}C/W$) |
| PDIP Package | 65 | N/A |
| SBDIP Package | 65 | 20 |
| Operating-Temperature Range (T_A) | | |
| Package Type D, H | -55 $^{\circ}C$ to +125 $^{\circ}C$ | |
| Package Type E | -40 $^{\circ}C$ to +85 $^{\circ}C$ | |
| Storage Temperature Range (T_{STG}) | -65 $^{\circ}C$ to +150 $^{\circ}C$ | |
| Lead Temperature (During Soldering): | +265 $^{\circ}C$ | |
| At Distance 1/16 \pm 1/32 inch (1.59 \pm 0.79mm) from Case for 10s max | | |

CAUTION: Stresses above those listed in "Absolute Maximum Ratings" may cause permanent damage to the device. This is a stress only rating and operation of the device at these or any other conditions above those indicated in the operational sections of this specification is not implied.

Operating Conditions At T_A = Full Package Temperature Range. For Maximum Reliability, Operating Conditions Should be Selected so that Operation is Always within the Following Ranges:

| PARAMETER | LIMITS | | | | UNITS |
|----------------------------|----------|----------|----------|----------|-------|
| | CDP1852 | | CDP1852C | | |
| | MIN | MAX | MIN | MAX | |
| DC Operating Voltage Range | 4 | 10.5 | 4 | 6.5 | V |
| Input Voltage Range | V_{SS} | V_{DD} | V_{SS} | V_{DD} | V |

Functional Diagram



NOTE:

1. Polarity depends on mode.

FIGURE 2. FUNCTIONAL BLOCK DIAGRAM FOR CDP1852

A \overline{CLEAR} control is provided for resetting the port's register ($DO0-DO7 = 0$) and service request flip-flop (input mode: $\overline{SR}/SR = 1$ and output mode: $\overline{SR}/SR = 0$).

The CDP1852 is functionally identical to the CDP1852C. The CDP1852 has a recommended operating voltage range of 4 to 10.5 volts, and the CDP1852C has a recommended operating voltage range of 4 to 6.5 volts.

The CDP1852 and CDP1852C are supplied in 24-lead, hermetic, dual-in-line ceramic packages (D suffix), in 24-lead dual-in-line plastic packages (E suffix). The CDP1852C is also available in chip form (H suffix).

CDP1852, CDP1852C

Logic Diagram

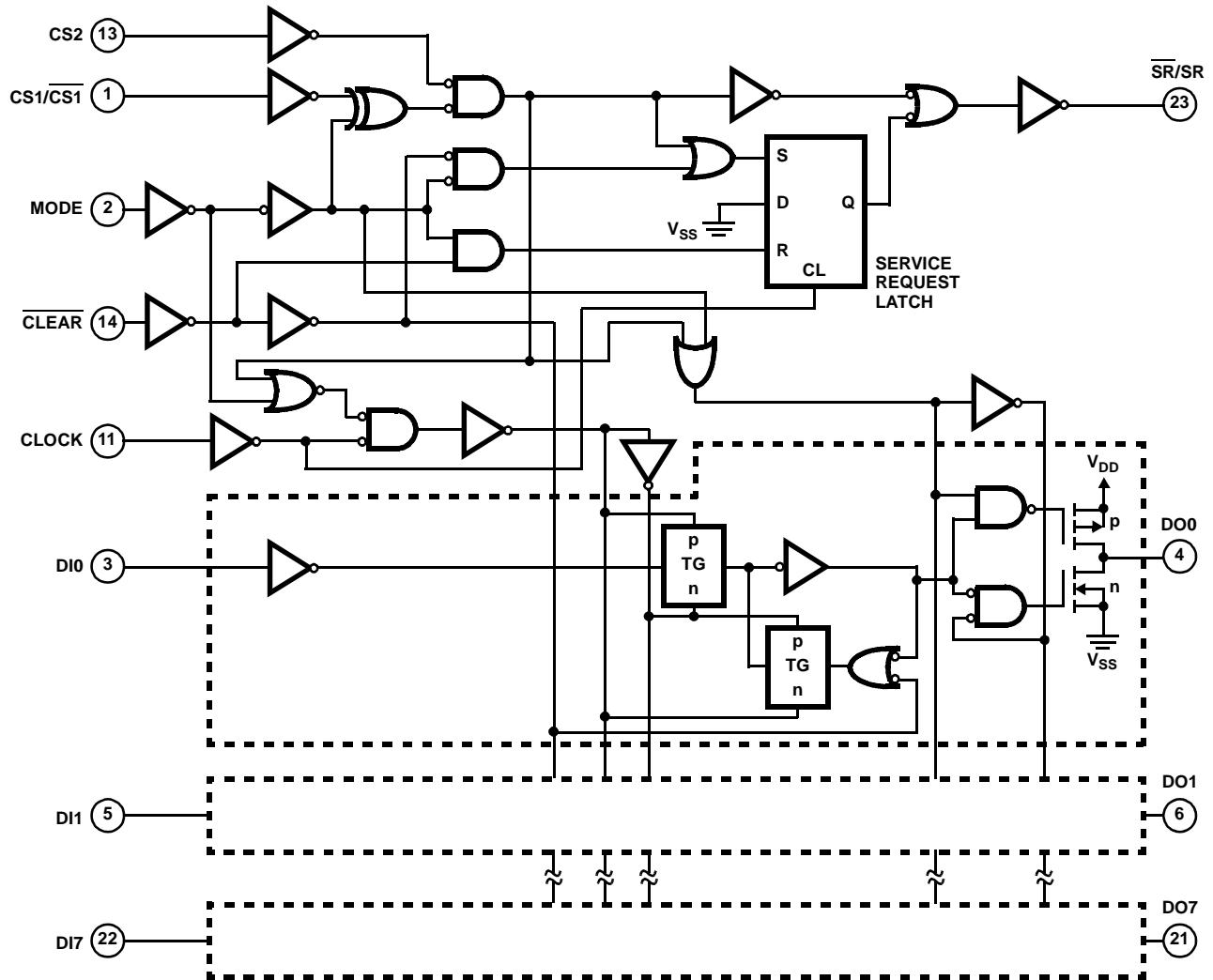


FIGURE 3. CDP1852 LOGIC DIAGRAM

Static Electrical Specifications At $T_A = -40^\circ\text{C}$ to $+85^\circ\text{C}$, Unless Otherwise Specified

| PARAMETER | | CONDITIONS | | | LIMITS | | | | | | UNITS |
|---------------------------------------|----------|--------------|-----------------|-----------------|---------|----------------|-----|----------|----------------|-----|------------------|
| | | V_O (V) | V_{IN} (V) | V_{DD} (V) | CDP1852 | | | CDP1852C | | | |
| | | | | | MIN | (NOTE1) TYP | MAX | MIN | (NOTE1) TYP | MAX | |
| Quiescent Device Current | I_{DD} | - | 0, 5 | 5 | - | - | 10 | - | - | 50 | ∞A |
| | | - | 0, 10 | 10 | - | - | 100 | - | - | - | ∞A |
| Output Low Drive (Sink) Current | I_{OL} | 0.4 | 0, 5 | 5 | 1.6 | 3.2 | - | 1.6 | 3.2 | - | mA |
| | | 0.5 | 0, 10 | 10 | 3 | 6 | - | - | - | - | mA |
| Output High Drive (Source) Current | I_{OH} | 4.6 | 0, 5 | 5 | -1.15 | -2.3 | - | -1.15 | -2.3 | - | mA |
| | | 9.5 | 0, 10 | 10 | -3 | -6 | - | - | - | - | mA |
| Output Voltage Low-Level (Note 2) | V_{OL} | - | 0, 5 | 5 | - | 0 | 0.1 | - | 0 | 0.1 | V |
| | | - | 0, 10 | 10 | - | 0 | 0.1 | - | - | - | V |

CDP1852, CDP1852C

Static Electrical Specifications At $T_A = -40^{\circ}\text{C}$ to $+85^{\circ}\text{C}$, Unless Otherwise Specified (Continued)

| PARAMETER | CONDITIONS | | | LIMITS | | | | | | UNITS | |
|---------------------------------------|--------------|-----------------|-----------------|---------|-----------------|-----|----------|-----------------|-----|---------|------------|
| | V_O (V) | V_{IN} (V) | V_{DD} (V) | CDP1852 | | | CDP1852C | | | | |
| | | | | MIN | (NOTE 1) TYP | MAX | MIN | (NOTE 1) TYP | MAX | | |
| Output Voltage High Level (Note 2) | V_{OH} | - | 0, 5 | 5 | 4.9 | 5 | - | 4.9 | 5 | - | V |
| | | - | 0, 10 | 10 | 9.9 | 10 | - | - | - | - | V |
| Input Low Voltage | V_{IL} | 0.5, 4.5 | - | 5 | - | - | 1.5 | - | - | 1.5 | V |
| | | 0.5, 9.5 | - | 10 | - | - | 3 | - | - | - | V |
| Input High Voltage | V_{IH} | 0.5, 4.5 | - | 5 | 3.5 | - | - | 3.5 | - | - | V |
| | | 0.5, 9.5 | - | 10 | 7 | - | - | - | - | - | V |
| Input Leakage Current | I_{IN} | - | 0, 5 | 5 | - | - | ± 1 | - | - | ± 1 | ∞ A |
| | | - | 0, 10 | 10 | - | - | ± 2 | - | - | - | ∞ A |
| Three-State Output Leakage Current | I_{OUT} | 0, 5 | 0, 5 | 5 | - | - | ± 1 | - | - | ± 1 | ∞ A |
| | | 0, 10 | 0, 10 | 10 | - | - | ± 2 | - | - | - | ∞ A |
| Operating Current (Note 3) | I_{DD1} | - | 0, 5 | 5 | - | 130 | 300 | - | 150 | 300 | ∞ A |
| | | - | 0, 10 | 10 | - | 550 | 800 | - | - | - | ∞ A |
| Input Capacitance | C_{IN} | - | - | - | - | 5 | 7.5 | - | 5 | 7.5 | pF |
| Output Capacitance | C_{OUT} | - | - | - | - | 5 | 7.5 | - | - | - | pF |

NOTES:

1. Typical values are for $T_A = 25^{\circ}\text{C}$ and nominal V_{DD} .
2. $I_{OL} = I_{OH} = 1\infty\text{A}$
3. Operating current is measured at 2MHz in an CDP1802 system with open outputs and a program of 6N55, 6NAA, 6N55, 6NAA,....

Dynamic Electrical Specifications At $T_A = -40^{\circ}\text{C}$ to $+85^{\circ}\text{C}$, $V_{DD} = \pm 5\%$, $t_R, t_F = 20\text{ns}$, $V_{IH} = 0.7 V_{DD}$, $V_{IL} = 0.3 V_{DD}$, $C_L = 100\text{pF}$, and 1 TTL Load

| PARAMETER | V_{DD} (V) | LIMITS | | | UNITS | |
|---|-----------------|--------|-----------------|-----|-------|----|
| | | MIN | (NOTE 1) TYP | MAX | | |
| MODE 0 - INPUT PORT (See Figure 4) | | | | | | |
| Minimum Select Pulse Width | t_{SW} | 5 | - | 180 | 360 | ns |
| | | 10 | - | 90 | 180 | ns |
| Minimum Write Pulse Width | t_{WW} | 5 | - | 90 | 180 | ns |
| | | 10 | - | 45 | 90 | ns |
| Minimum Clear Pulse Width | t_{CLR} | 5 | - | 80 | 160 | ns |
| | | 10 | - | 40 | 80 | ns |

CDP1852, CDP1852C

Dynamic Electrical Specifications At $T_A = -40^\circ\text{C}$ to $+85^\circ\text{C}$, $V_{DD} = \pm 5\%$, $t_R, t_F = 20\text{ns}$, $V_{IH} = 0.7 V_{DD}$, $V_{IL} = 0.3 V_{DD}$, $C_L = 100\text{pF}$, and 1 TTL Load **(Continued)**

| PARAMETER | | V_{DD} (V) | LIMITS | | | UNITS |
|---|-----------|-----------------|--------|-----------------|-----|-------|
| | | | MIN | (NOTE 1) TYP | MAX | |
| Minimum Data Setup Time | t_{DS} | 5 | - | -10 | 0 | ns |
| | | 10 | - | -5 | 0 | ns |
| Minimum Data Hold Time | t_{DH} | 5 | - | 75 | 150 | ns |
| | | 10 | - | 35 | 75 | ns |
| Data Out Hold Time (Note 2) | t_{DOH} | 5 | 30 | 185 | 370 | ns |
| | | 10 | 15 | 100 | 200 | ns |
| Propagation Delay Times, t_{PLH} , t_{PHL} Select to Data Out (Note 2) | t_{SDO} | 5 | 30 | 185 | 370 | ns |
| | | 10 | 15 | 100 | 200 | ns |
| Clear to SR | t_{RSR} | 5 | - | 170 | 340 | ns |
| | | 10 | - | 85 | 170 | ns |
| Clock to SR | t_{CSR} | 5 | - | 110 | 220 | ns |
| | | 10 | - | 55 | 110 | ns |
| Select to SR | t_{SSR} | 5 | - | 120 | 240 | ns |
| | | 10 | - | 60 | 120 | ns |

NOTES:

1. Typical values are for $T_A = 25^\circ\text{C}$ and nominal V_{DD} .
2. Minimum value is measured from CS2, maximum value is measured from CS1/ $\overline{\text{CS1}}$.

Input Port Mode 0 - Typical Operation

General Operation

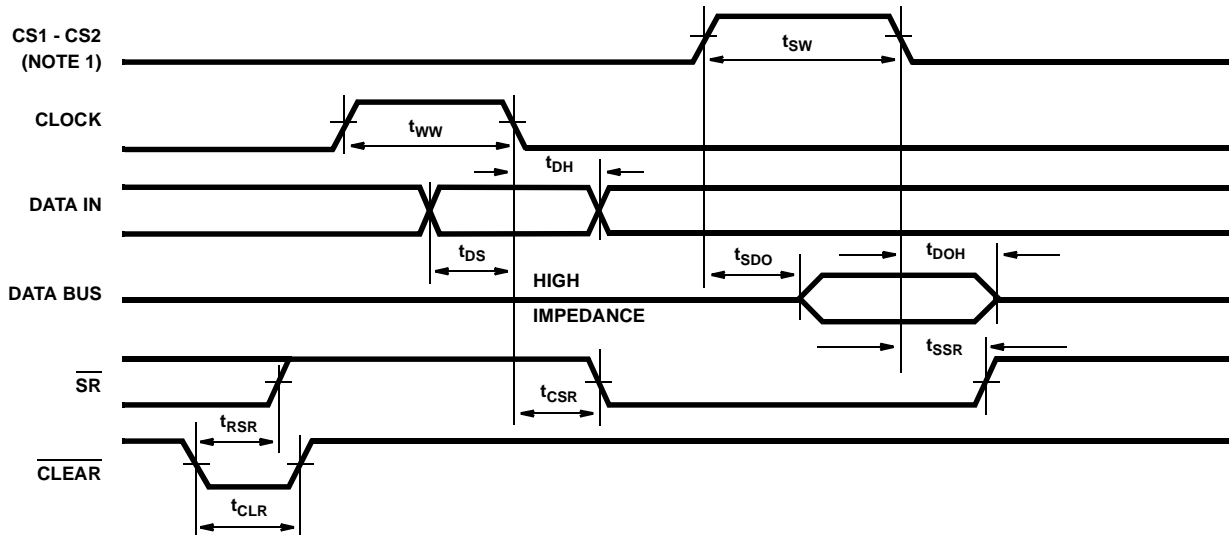
When the mode control is tied to V_{SS} , the CDP1852 becomes an input port. In this mode, the peripheral device places data into the CDP1852 with a strobe pulse and the CDP1852 signals the microprocessor that data is ready to be transferred on the strobe's trailing edge via the $\overline{\text{SR}}$ output line. The CDP1802 then issues an input instruction that enables the CDP1852 to place the information from the peripheral device on the data bus to be entered into a memory location and the accumulator of the microprocessor.

Detailed Operation (See Figure 5)

The STROBE from the peripheral device places DATA into the 8-bit register of the CDP1852 when it goes high and latches the DATA on its trailing edge. The $\overline{\text{SR}}$ output is set low on the strobe's trailing edge. This output is connected to a flag line of the CDP1802 microprocessor and software polling will determine that the flag line has gone low and peripheral data is ready to be transferred. The CDP1802 then issues an input instruction that places an N_X line high. With the $\overline{\text{MRD}}$ line also high, the CDP1852 is selected and its out-

put drivers place the DATA from the peripheral device on the DATA BUS. When the CDP1802 selected the CDP1852, it also selected and addressed the memory via one of the 16 internal address registers selected by an internal "X" register. The data from the CDP1852 is therefore entered into the memory [Bus \rightarrow M(R(X))]. The data is also transferred to the D register (accumulator) in the microprocessor (Bus \rightarrow D). When the CDP1802's execute cycle is completed, the CDP1852 is deselected by the N_X line returning low and its data output pins are three-stated. The $\overline{\text{SR}}$ output returns high.

CDP1852, CDP1852C



NOTE 1. CS1 • CS2 is the overlap of CS1 = 1 and CS2 = 1.

MODE 0 TRUTH TABLE

| CLOCK | † CS1-CS2 | CLEAR | DATA OUT EQUALS |
|-------|-----------|-------|-----------------|
| X | 0 | X | High Impedance |
| 0 | 1 | 0 | 0 |
| 0 | 1 | 1 | Data Latch |
| 1 | 1 | X | Data In |

† CS1 • CS2: CS1 = 1, CS2 = 1

SERVICE REQUEST TRUTH TABLE

| | | | |
|----------------------------------|---|----------------------------------|---|
| CLOCK | | CS1 or CS2 or CLEAR | |
| $\overline{\text{SR}}/\text{SR}$ | 0 | $\overline{\text{SR}}/\text{SR}$ | 1 |

FIGURE 4. MODE 0 INPUT PORT TIMING WAVEFORMS AND TRUTH TABLES

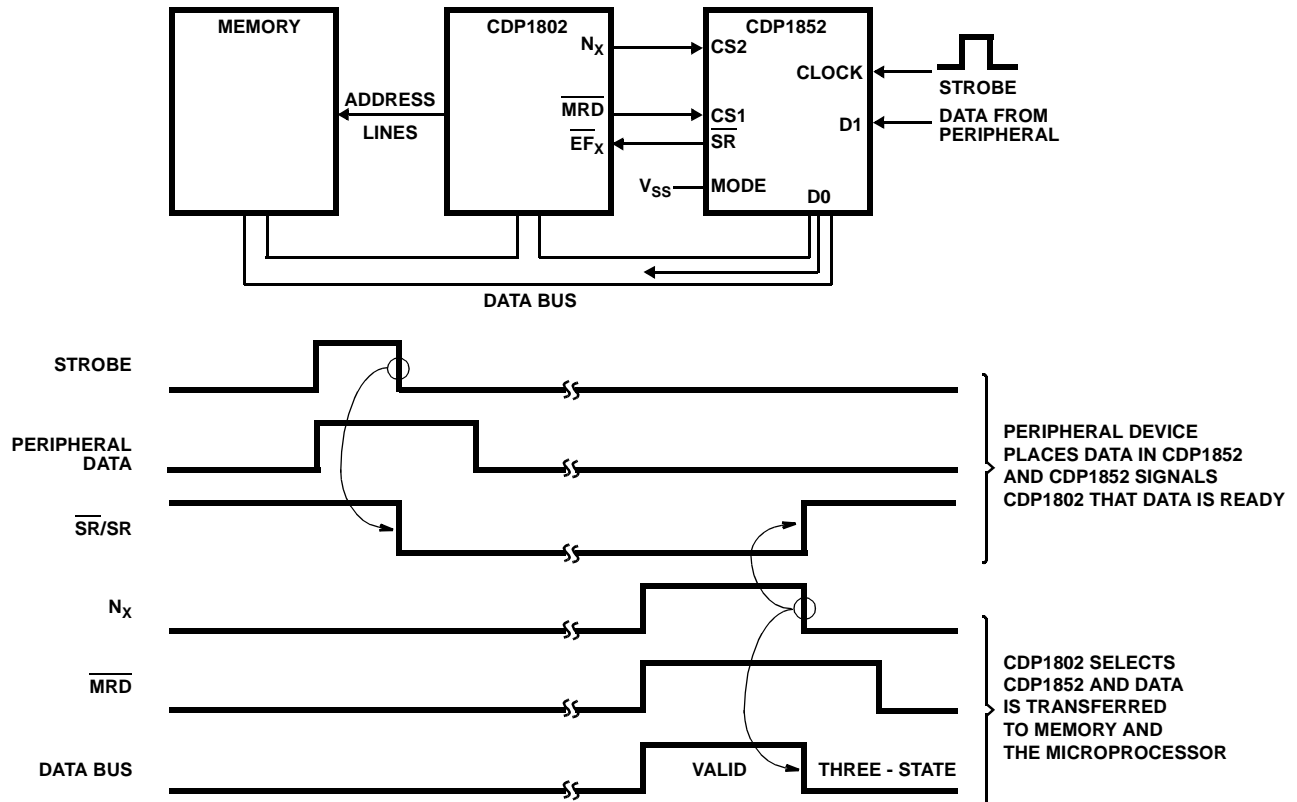


FIGURE 5. INPUT PORT MODE 0 FUNCTIONAL DIAGRAM AND WAVEFORMS - TYPICAL OPERATION

CDP1852, CDP1852C

Dynamic Electrical Specifications At $T_A = -40^{\circ}\text{C}$ to $+85^{\circ}\text{C}$, $V_{DD} = \pm 5\%$, $t_R, t_F = 20\text{ns}$, $V_{IH} = 0.7 V_{DD}$, $V_{IL} = 0.3 V_{DD}$, $C_L = 100\text{pF}$, and 1 TTL Load

| PARAMETER | | V_{DD} (V) | LIMITS | | | UNITS |
|---|-----------|-----------------|--------|-----------------|-----|-------|
| | | | MIN | (NOTE 1) TYP | MAX | |
| MODE 1- OUTPUT PORT (See Figure 6) | | | | | | |
| Minimum Clock Pulse Width | t_{CLK} | 5 | - | 130 | 260 | ns |
| | | 10 | - | 65 | 130 | ns |
| Minimum Write Pulse Width | t_{WW} | 5 | - | 130 | 260 | ns |
| | | 10 | - | 65 | 130 | ns |
| Minimum Clear Pulse Width | t_{CLR} | 5 | - | 60 | 120 | ns |
| | | 10 | - | 30 | 60 | ns |
| Minimum Data Setup Time | t_{DS} | 5 | - | -10 | 0 | ns |
| | | 10 | - | -5 | 0 | ns |
| Minimum Data Hold Time | t_{DH} | 5 | - | 75 | 150 | ns |
| | | 10 | - | 35 | 75 | ns |
| Minimum Select-After-Clock Hold Time | t_{SH} | 5 | - | -10 | 0 | ns |
| | | 10 | - | -5 | 0 | ns |
| Propagation Delay Times, t_{PLH} , t_{PHL} Clear to Data Out | t_{RDO} | 5 | - | 140 | 280 | ns |
| | | 10 | - | 70 | 140 | ns |
| Write to Data Out | t_{WDO} | 5 | - | 220 | 440 | ns |
| | | 10 | - | 110 | 220 | ns |
| Data In to Data Out | t_{DDO} | 5 | - | 100 | 200 | ns |
| | | 10 | - | 50 | 100 | ns |
| Clear to SR | t_{RSR} | 5 | - | 120 | 240 | ns |
| | | 10 | - | 60 | 120 | ns |
| Clock to SR | t_{CSR} | 5 | - | 120 | 240 | ns |
| | | 10 | - | 60 | 120 | ns |
| Select to SR | t_{SSR} | 5 | - | 120 | 240 | ns |
| | | 10 | - | 60 | 120 | ns |

NOTE:

1. Typical values are for $T_A = 25^{\circ}\text{C}$ and nominal V_{DD} .

Output Port Mode 1 - Typical Operation

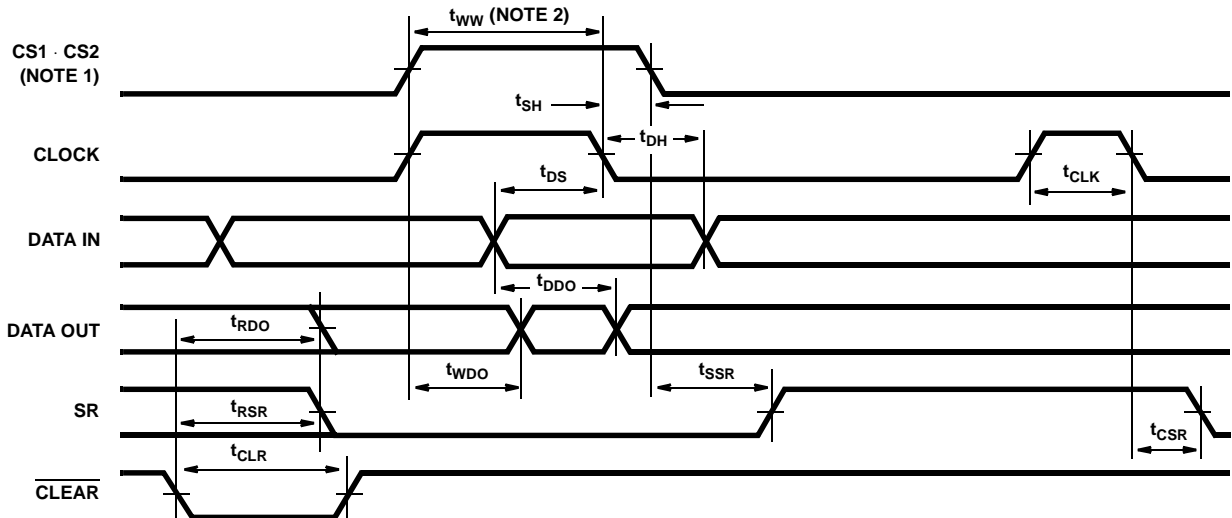
General Operation

Connecting the mode control to V_{DD} configures the CDP1852 as an output port. The output drivers are always on in this mode, so any data in the 8-bit register will be present at the data-out lines when the CDP1852 is selected. The N line and MRD connections between the CDP1852 and CDP1802 remain the same as in the input mode configuration, but now the clock input of the CDP1852 is tied to the TPB output of the CDP1802 and the SR output of the CDP1852 will be used to signal the peripheral device that valid data is present on its input lines. The microprocessor issues an output instruction, and data from the memory is strobed into the CDP1852 with the TPB pulse. When the CDP1852 is deselected, the SR output goes high to signal the peripheral device.

Detailed Operation (See Figure 7)

The CDP1802 issues an output instruction. The N_X line goes high and the $\overline{\text{MRD}}$ line goes low. The memory is accessed $M(R(X)) \rightarrow \text{BUS}$ and places data on the DATA BUS. This data are strobed into the 8-bit register of the CDP1852 when TPB goes high and latched on the TPB's trailing edge. The valid data thus appears on the CDP1852 output lines. When the CDP1802 output instruction cycle is complete, the N_X line goes low and the SR output goes high. SR will remain high until the trailing edge of the next TPB pulse, when it will return low.

CDP1852, CDP1852C



NOTES

1. CS1 • CS2 is the overlap of $\overline{CS1} = 0$ and CS2 = 1.
2. Write is the overlap of CS1 • CS2 and CLOCK.

MODE 1 TRUTH TABLE

| CLOCK | † CS1-CS2 | CLEAR | DATA OUT EQUALS |
|-------|-----------|-------|-----------------|
| 0 | X | 0 | 0 |
| 0 | X | 1 | Data Latch |
| X | 0 | 1 | Data Latch |
| 1 | 1 | X | Data In |

† CS1 • CS2 : CS1 = 0, CS2 = 1

SERVICE REQUEST TRUTH TABLE

| CS1 or CS2 | CLOCK or CLEAR | SR/SR |
|------------------|----------------------|-------|
| SR/SR 1 | SR/SR 0 | |

FIGURE 6. MODE 1 OUTPUT PORT TIMING WAVEFORMS AND TRUTH TABLES

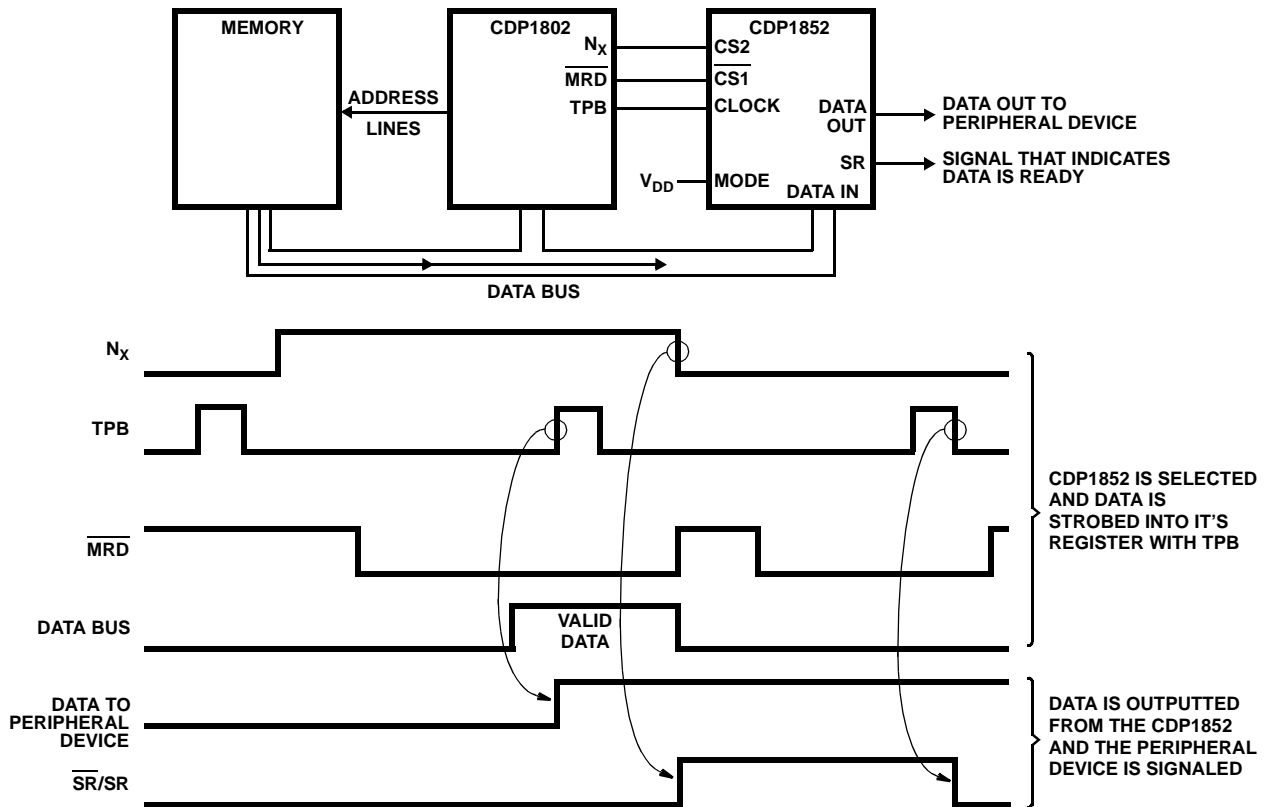


FIGURE 7. OUTPUT PORT MODE 1 FUNCTIONAL DIAGRAM AND WAVEFORMS - TYPICAL OPERATION

Application Information

In a CDP1800 series microprocessor-based system where $\overline{\text{MRD}}$ is used to distinguish between INP and OUT instructions, an INP instruction is assumed to occur at the beginning of every I/O cycle because $\overline{\text{MRD}}$ starts high. Therefore, at the start of an OUT instruction, which uses the same 3-bit N code as that used for selection of an input port, the input device is selected for a short time (see Figure 8).

This condition forces SR low and sets the internal SR latch (see Figure 3). In a small system with unique N codes for inputs and outputs, this situation does not arise. Using the CDP1853 N-bit decoder or equivalent logic to decode the N lines after TPA prevents dual selection in larger systems (see Figure 9 and Figure 10).

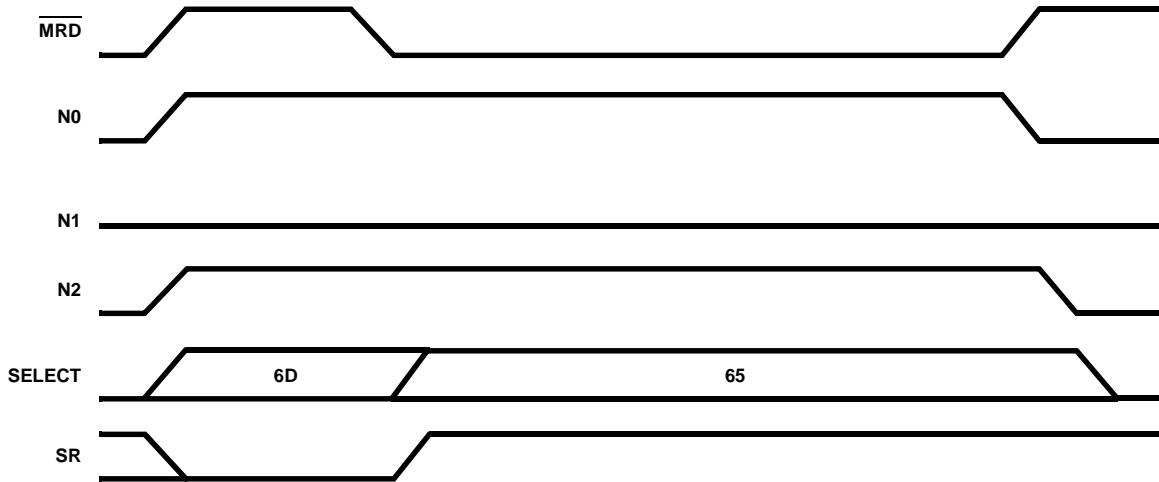


FIGURE 8. EXECUTION OF A "65" OUTPUT INSTRUCTION SHOWING MOMENTARY SELECTION OF INPUT PORT "D"

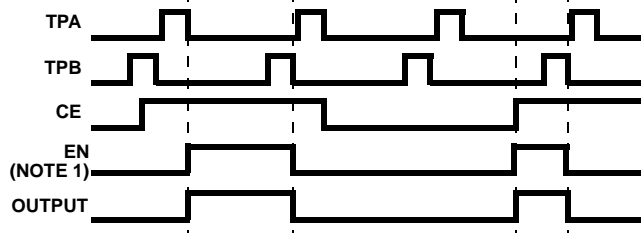


FIGURE 9. CDP1853 TIMING WAVEFORMS

NOTE:

- 1. Output enabled when EN = HIGH. Internal signal shown for reference only (See Figure 1).

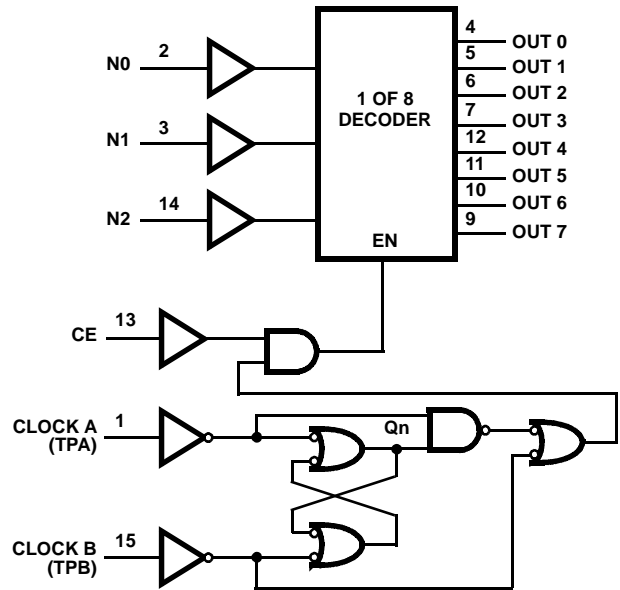


FIGURE 10. CDP1853 FUNCTIONAL DIAGRAM

All Intersil U.S. products are manufactured, assembled and tested utilizing ISO9000 quality systems. Intersil Corporation's quality certifications can be viewed at www.intersil.com/design/quality

Intersil products are sold by description only. Intersil Corporation reserves the right to make changes in circuit design, software and/or specifications at any time without notice. Accordingly, the reader is cautioned to verify that data sheets are current before placing orders. Information furnished by Intersil is believed to be accurate and reliable. However, no responsibility is assumed by Intersil or its subsidiaries for its use, nor for any infringements of patents or other rights of third parties which may result from its use. No license is granted by implication or otherwise under any patent or patent rights of Intersil or its subsidiaries.

For information regarding Intersil Corporation and its products, see www.intersil.com