



Contactor, 42DP,75A,3P,Open,480 Contactor, 42DP,75A,3P,Open,480

product brand name	Class 42 DP Contactors
design of the product	Non-reversing Definite Purpose Contactor
special product feature	Snap on auxiliary contacts, enclosed body design
General technical data	
weight [lb]	4.08 lb
Height x Width x Depth [in]	5.02 × 3.5 × 4.39 in
touch protection against electrical shock	Not finger-safe
ambient temperature [°F]	
• during storage	158 °F
• during operation	158 ... 158 °F
ambient temperature	
• during storage	75 °C
• during operation	70 ... 70 °C
country of origin	China
number of poles for main current circuit	3
Horsepower ratings	
yielded mechanical performance [hp] for 3-phase AC motor	
• at 460/480 V rated value	40 hp
• at 575/600 V rated value	40 hp
Contactor	
size of contactor	75A
number of NO contacts for main contacts	3
operating voltage for main current circuit at AC at 60 Hz maximum	600 V
operational current at AC at 600 V rated value	300 A
mechanical service life (operating cycles) of the main contacts typical	250000
Auxiliary contact	
number of NC contacts for auxiliary contacts	2
number of NO contacts for auxiliary contacts	2
number of NC contacts at contactor for auxiliary contacts	0
number of NO contacts at contactor for auxiliary contacts	0
number of total auxiliary contacts maximum	2
operational current of auxiliary contacts of contactor	
• at AC at 600 V	10 A
contact rating of auxiliary contacts of contactor according to UL	10A@600VAC (A600), 11A 1/2HP 125-250VAC, 0.6A 125VDC, 0.3A 250VDC
Coil	
control supply voltage	
• at AC at 50 Hz rated value	380 ... 440 V
• at AC at 60 Hz rated value	440 ... 480 V

Enclosure	
degree of protection NEMA rating of the enclosure	Open device (no enclosure)
Mounting/wiring	
mounting position	vertical
fastening method	Surface mounting and installation
type of electrical connection for supply voltage line-side	Box lug
tightening torque [lbf-in] for supply	60 ... 60 lbf-in
type of connectable conductor cross-sections at line-side for AWG cables single or multi-stranded	1/0 AWG
type of electrical connection for load-side outgoing feeder	Box lug
type of connectable conductor cross-sections for AWG cables for load-side outgoing feeder single or multi-stranded	1/0 AWG
type of electrical connection of magnet coil	Quick connects, Screw-type terminals
type of electrical connection for auxiliary and control circuit	Quick Connects, Screw-type terminals
type of electrical connection at contactor for auxiliary contacts	Screw-type terminals
Certificates/ approvals	
certificate of suitability	cRUus, ARI 780 & 790, UL File E14900
Further information	

Industrial Controls - Product Overview (Catalogs, Brochures,...)

www.usa.siemens.com/iccatalog

Industry Mall (Online ordering system)

<https://mall.industry.siemens.com/mall/en/us/Catalog/product?mlfb=US2:42FE35AH>

Service&Support (Manuals, Certificates, Characteristics, FAQs,...)

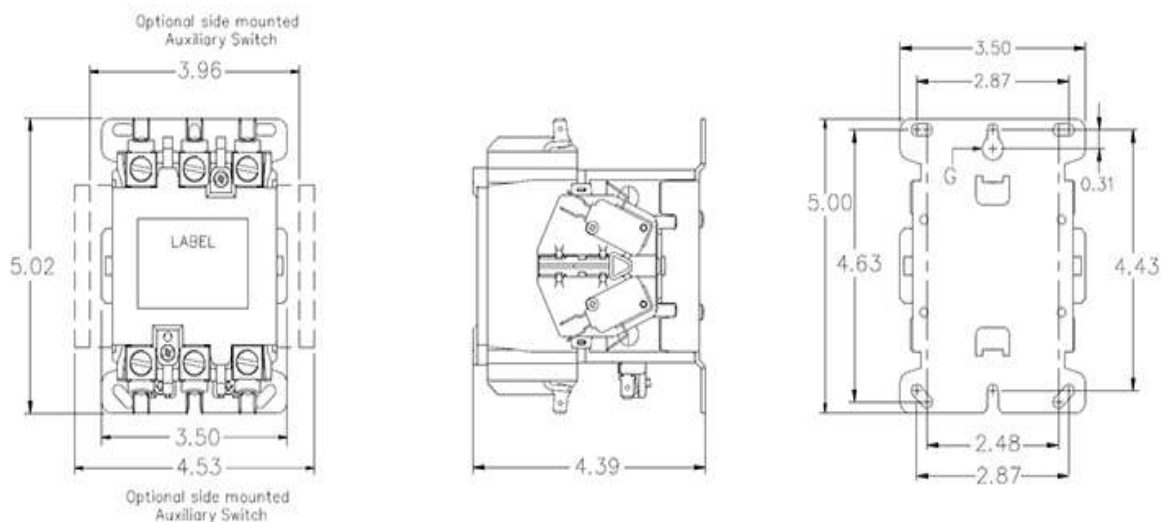
<https://support.industry.siemens.com/cs/US/en/ps/US2:42FE35AH>

Image database (product images, 2D dimension drawings, 3D models, device circuit diagrams, EPLAN macros, ...)

http://www.automation.siemens.com/bilddb/cax_de.aspx?mlfb=US2:42FE35AH&lang=en

Certificates/approvals

<https://support.industry.siemens.com/cs/US/en/ps/US2:42FE35AH/certificate>



last modified:

5/25/2021