

ECS-TXO-5032MV HCMOS SMD MultiVolt™ TCXO offers a wide supply voltage or +1.7 ~ +3.6V. The 5.0 x 3.2 x 1.3 mm ceramic package is ideal for industrial and wireless applications where stability is critical.

ECS-TXO-5032MV

MultVolt™ HCMOS TCXO



Obsolete/End of Life Date 8/30/2021

OPERATING CONDITIONS / ELECTRICAL CHARACTERISTICS

ECS-TXO-5032MV



- HCMOS TCXO
- 5.0 x 3.2 mm Footprint
- Compatible with +1.8, +2.5, or +3.3V supply voltage
- PbFree/RoHS Compliant
- Peak solder temp +260°C (10 sec)
- MSL 1
- Lead Finish Au
- Compatible with 1.8V, 2.5V or 3.3V Power Supply

Parameters	Conditions	ECS-TXO-5032MV			Units
		MIN	TYP	MAX	
Frequency Range		9.500		60.400	MHz
Operating Temperature	* Standard	-30		+85	°C
Storage Temperature		-40		+125	°C
Input Voltage	VDD	+1.7		+3.6	VDC
Frequency Stability	Vs. Temp (-30 ~ +85°C)			±2.5	PPM
	Vs. Supply Change (±5%)			±0.3	PPM
	Vs. Load Change (±5%)			±0.3	PPM
	Vs. Aging/Year			±1.0	PPM
Frequency Tolerance	@ +25°C ±2°C			±1.5	PPM
Current Consumption				5.0	mA
“0” Level	VOL			0.5	VDC
“1” Level	VOH	90% VDD			VDC
Output Symmetry	@50% VDD Level			45/55	%
Rise and Fall Times	10% VDD to 90% Level			5	ns
Output Load	CMOS			15	pF
Start-up Time				5.0	mS
Phase Noise	@ 1 KHz Offset			-135	DBc/Hz

Part Numbering Guide: Example ECS-TXO-5032MV-250-TR

ECS	-	Series	-	Frequency Abbreviations	-	Stability Tolerance	-	Temperature	-	Packaging
ECS		TXO-5032MV = TCXO		250 = 25.000 MHz		Standard Blank = ±2.5 ppm		Standard Blank = -30 ~ +85°C Custom Options * N = -40 ~ +85°C		TR = Tape & Reel

Package Dimensions (mm)

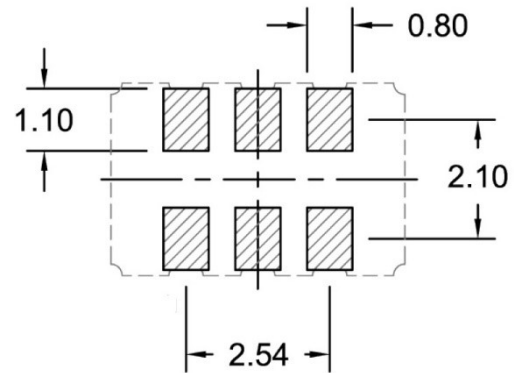
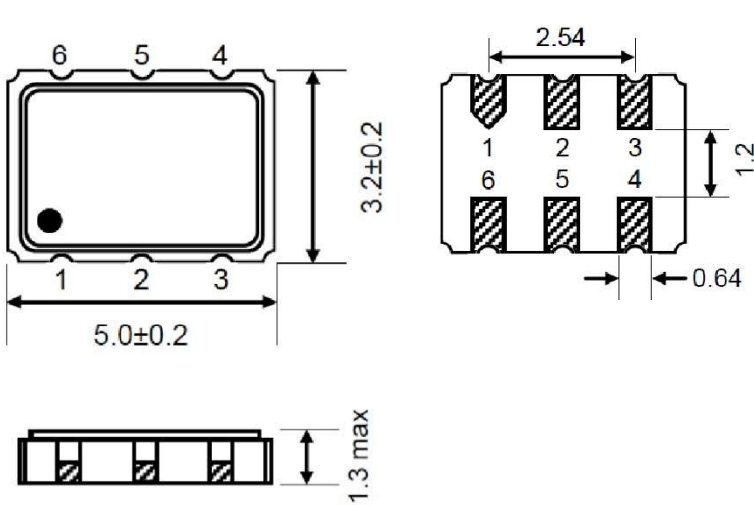


Figure 2) Suggested Land Pattern

Figure 1) Top, Side, and Bottom views

Pin Connections	
#1	OE
#2	NC
#3	Ground
#4	Output
#5	NC
#6	VDD

Developed Frequencies	
* Abbreviation	Frequency (MHz)
100	10.000
120	12.000
122.8	12.288
147.4	14.7456
160	16.000
200	20.000
250	25.000
270	27.000