

XB5AS84449

Harmony XB5, Emergency stop , plastic, red mushroom Ø40, Ø22, trigger latching turn to release, monitoring contact, 1 NO + 2 NC



Main

| | |
|-------------------------------|---|
| Range of Product | Harmony XB5 |
| Product or Component Type | Emergency stop push-button |
| Device short name | XB5 |
| Bezel material | Plastic |
| Fixing collar material | Plastic |
| Head type | Standard |
| Mounting diameter | 0.87 in (22 mm) |
| Sale per indivisible quantity | 1 |
| Shape of signaling unit head | Round |
| Type of operator | Trigger action and mechanical latching with mechanical state indicator |
| Reset | Push-pull Turn to release |
| Operator profile | Red mushroom Ø 40 mm, unmarked |
| Contact operation | Slow-break |
| Connections - terminals | Screw clamp terminals, <= 1.25 mm ² with cable end EN/IEC 60947-1 Screw clamp terminals, <= 1.25 mm ² without cable end EN/IEC 60947-1 |
| Device presentation | Complete product |

Complementary

| | |
|--|---|
| Height | 1.65 in (42 mm) |
| Width | 1.65 in (42 mm) |
| Depth | 3.13 in (79.5 mm) |
| Terminals description ISO n°1 | (13-14)NO (21-22)NC (11-12)NC |
| Net Weight | 0.20 lb(US) (0.0905 kg) |
| Contacts usage | Monitoring contact |
| Positive opening | With EN/IEC 60947-5-1 appendix K |
| Mechanical durability | 100000 cycles |
| Tightening torque | 7.08...13.28 lbf.in (0.8...1.5 N.m) EN/IEC 60947-1 |
| Shape of screw head | Slotted flat Ø 5.5 mm Cross JIS No 2 Cross Philips No 2 |
| Contacts material | Silver alloy - gold plated (Ag/Cu) |
| Short-circuit protection | 10 A cartridge fuse gG EN/IEC 60947-5 |
| [I _{th}] conventional free air thermal current | 5 A EN/IEC 60947-5-1 |
| [U _i] rated insulation voltage | 250 V 2) IEC 61140 |
| [U _{imp}] rated impulse withstand voltage | 2.5 kV EN/IEC 60947-1 |

The information provided in this documentation contains general descriptions and/or technical characteristics of the performance of the products contained herein. This documentation is not intended as a substitute for and is not to be used for determining suitability or reliability of these products for specific user applications. It is the duty of any such user or integrator to perform the appropriate and complete risk analysis, evaluation and testing of the products with respect to the relevant specific application or use thereof. Neither Schneider Electric Industries SAS nor any of its affiliates or subsidiaries shall be responsible or liable for misuse of the information contained herein.

| | |
|---|---|
| [I _e] rated operational current | 1.5 A 240 V, AC-15, B300 EN/IEC 60947-5-1 3 A 120 V, AC-15, B300 EN/IEC 60947-5-1 0.1 A 250 V, DC-13, R300 EN/IEC 60947-5-1 0.22 A 125 V, DC-13, R300 EN/IEC 60947-5-1 |
| Electrical durability | 100000 Cycles, AC-15, 1.5 A 240 V 1800 cyc/h 0.4 EN/IEC 60947-5-1 appendix C 100000 Cycles, AC-15, 3 A 120 V 1800 cyc/h 0.4 EN/IEC 60947-5-1 appendix C 100000 Cycles, DC-13, 0.1 A 250 V 1800 cyc/h 0.4 EN/IEC 60947-5-1 appendix C 100000 cycles, DC-13, 0.22 A 125 V 1800 cyc/h 0.4 EN/IEC 60947-5-1 appendix C |

Environment

| | |
|---------------------------------------|---|
| Ambient Air Temperature for Storage | -40...176 °F (-40...80 °C) |
| Ambient Air Temperature for Operation | -4...140 °F (-20...60 °C) |
| Overvoltage category | Class II IEC 61140 |
| IP degree of protection | IP65 IEC 60529 front face) IP2x back face) |
| Standards | EN/IEC 60947-5-1 CSA C22.2 No 14 UL 508 JIS C8201-5-1 EN/IEC 60947-5-5 EN/IEC 60204-1 EN/IEC 60947-1 EN/ISO 13850 JIS C8201-1 |
| Product Certifications | CSA UL Listed |
| Vibration resistance | 50 m/s ² 10...500 Hz)IEC 60068-2-6 |
| Shock resistance | 150 m/s ² 11 ms) half sine wave acceleration IEC 60068-2-27 |



Ordering and shipping details

| | |
|-----------------------|--|
| Category | 22000-Temporary Category for ITS Price Promotion |
| Discount Schedule | I |
| GTIN | 3606481205445 |
| Nbr. of units in pkg. | 1 |
| Package weight(Lbs) | 5.29 oz (150.0 g) |
| Returnability | No |

Packing Units

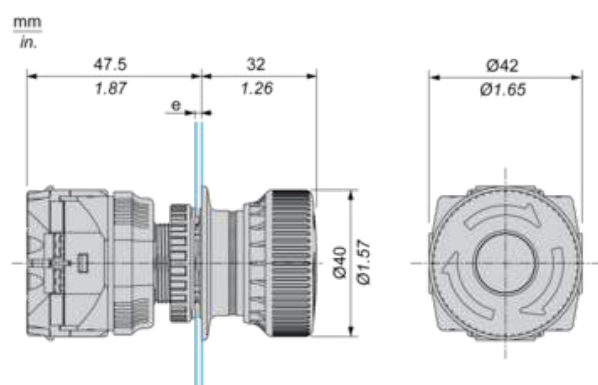
| | |
|------------------------------|-----------------------|
| Unit Type of Package 1 | PCE |
| Package 1 Height | 1.85 in (4.699 cm) |
| Package 1 width | 3.23 in (8.204 cm) |
| Package 1 Length | 3.54 in (8.999 cm) |
| Unit Type of Package 2 | S01 |
| Number of Units in Package 2 | 12 |
| Package 2 Weight | 3.86 lb(US) (1.75 kg) |
| Package 2 Height | 5.91 in (15 cm) |
| Package 2 width | 5.91 in (15 cm) |
| Package 2 Length | 15.75 in (40 cm) |

Offer Sustainability

| | |
|--------------------------|--|
| Sustainable offer status | Green Premium product |
| REACH Regulation |  REACH Declaration |
| REACH free of SVHC | Yes |
| EU RoHS Directive | Pro-active compliance (Product out of EU RoHS legal scope)  EU RoHS Declaration |
| Toxic heavy metal free | Yes |
| Mercury free | Yes |

| | |
|----------------------------|--|
| RoHS exemption information | Yes |
| China RoHS Regulation | China RoHS Declaration |
| Environmental Disclosure | Product Environmental Profile |
| Circularity Profile | End Of Life Information |
| WEEE | The product must be disposed on European Union markets following specific waste collection and never end up in rubbish bins. |

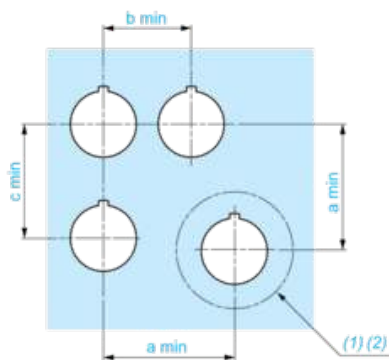
Dimensions



(e) Clamping thickness: 1 mm to 6 mm / 0.03 in to 0.24 in

Panel Cut-out for Emergency Stop Push Button (Finished Holes, Ready for Installation)

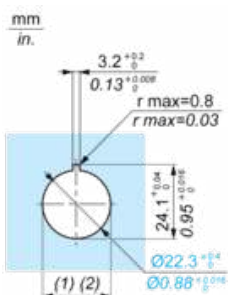
Connection by Screw Clamp Terminals



- (1) Diameter on finished panel or support
- (2) Ø42 mm recommended / Ø1.65 in. recommended (Head diameter)

| Connections | a in mm | a in in. | b in mm | b in in. | c in mm | c in in. |
|--------------------|---------|----------|---------|----------|---------|----------|
| By screw terminals | 45 | 1.77 | 30 | 1.18 | 40 | 1.57 |

Connection by Screw Clamp Terminals



- (1) Diameter on finished panel or support
- (2) Ø22.5 mm recommended (Ø22.3 0+0.4) / Ø0.89 in. recommended (Ø0.88 in. 0+0.016)