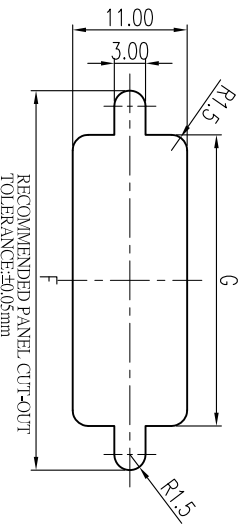
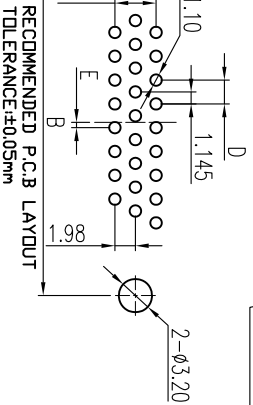
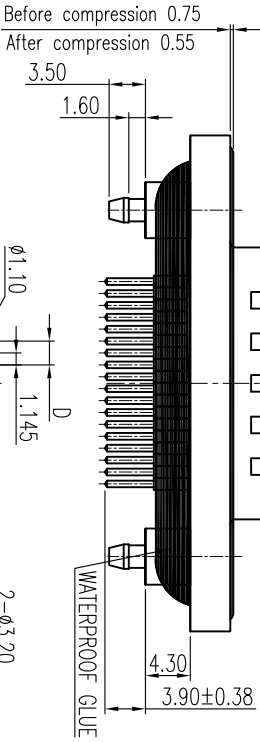
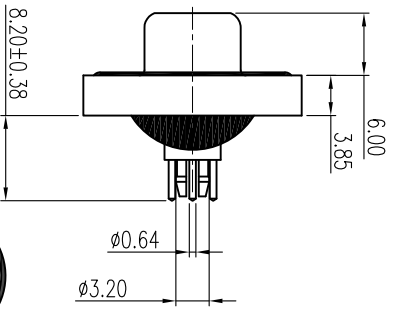
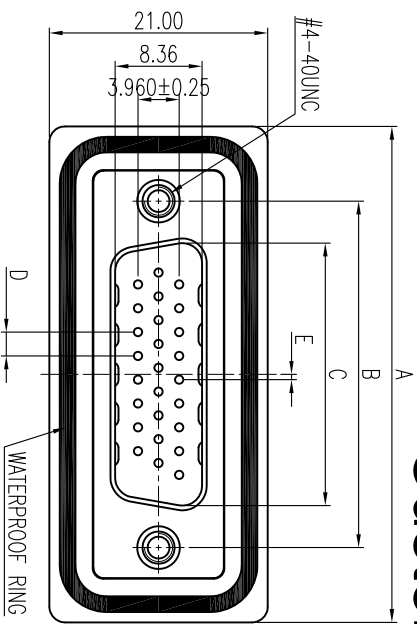
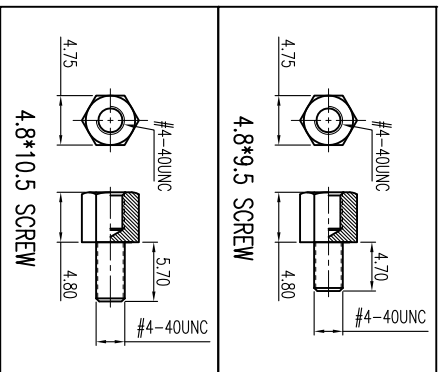


This document is the property of Amphenol Corporation and is delivered on the understanding that it is loaned to the customer for their use only. It is to be returned to Amphenol Corporation without the prior consent, and that no right is granted to disclose or to use any information in this document.

Customer drawing



NO.	A	B	C	D	E	F	G
1SP	39.40	24.99	16.92	2.29	0.25	28.20	20.00
2SP	47.70	33.32	25.25	2.29	0.51	36.50	28.00
44P	64.50	47.04	38.96	2.29	0.51	51.00	41.50



PANEL THICKNESS

X(MAX)

Screw L=4.7 For Panel Thickness Under 1.2mm
Screw L=5.7 For Panel Thickness Between 1.2~2.0mm

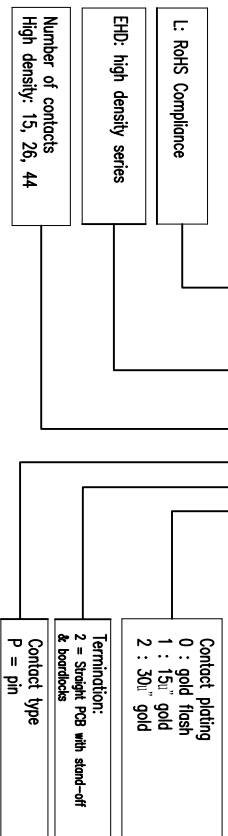
REVISONS				
S/N	EN	DESCRIPTION	DATE	APPROVED
1	HK--	First Release Drawing	01/07/15	IP
2	HK--	Update Drawing	05/20/17	IP
3	HK--	Update Drawing	11/01/17	IP

D-SUB TECHNICAL DATA

SHELL : SPCC, 80u" min nickel over 50u" min copper
 BODY : PBT, UL 94V-0, Color:Black.
 CONTACTS : Copper Alloy, Full gold plated over 50u" min nickel
 WATERPROOF RING: Silica Gel.
 WATERPROOF GLUE: Epoxy.
 BOARDLOOK : Copper Alloy, Tin Plated.
 SCREW : Copper Alloy, Nickel Plated.
 ELECTRICAL : Voltage rating : 250 VAC(RMS)
 Current rating : 5 Ampere per Contact
 Withstanding Voltage 1000V AC(RMS)
 Insulation Resistance : 1000 Megohms Min.
 Contact Resistance : 10 Milliohms Max.
 Waterproof Rate: IP 67 Min.
 MARKING : Amphenol
 Manufacturing date

PRODUCT CODE

L17 EHDXXP2X



DIMENSIONS SPECIFIED		APPROVAL		DATE	
TOLERANCES	D.S.	DRAWN	Checked	HI/BI/IT	
	AS PER	DATE	DATE		
X	±0.30				
XX	±0.50				
XXX	±1.00				
ANGLES	±0.20				
	S				
FOR MATERIALS AND FINISHES		DRAWING FILE :			
REMOVE SHARP EDGES		ANGLE OF PROJECTION			
DIMENSIONS		SIZE DRAWING NO.			
INCHES		L17EHDXXP2X			
MM		SCALE NONE			
		SHEET 1 OF 1			
		REV. 3			

Amphenol
D-sub, waterproof series