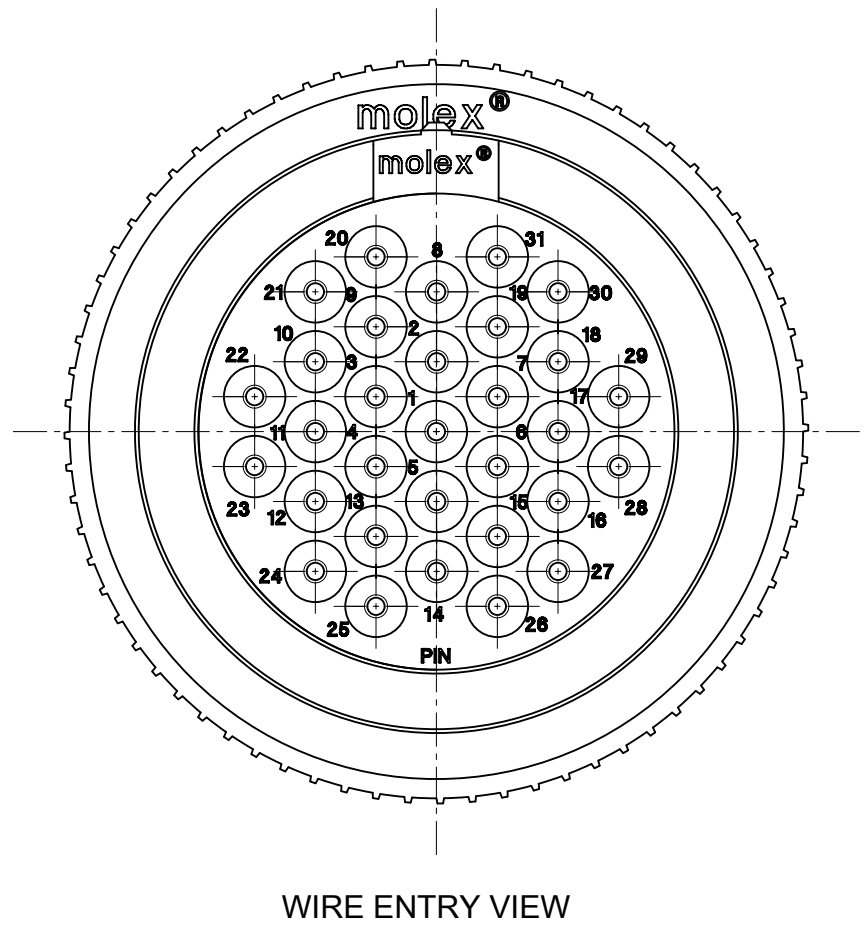
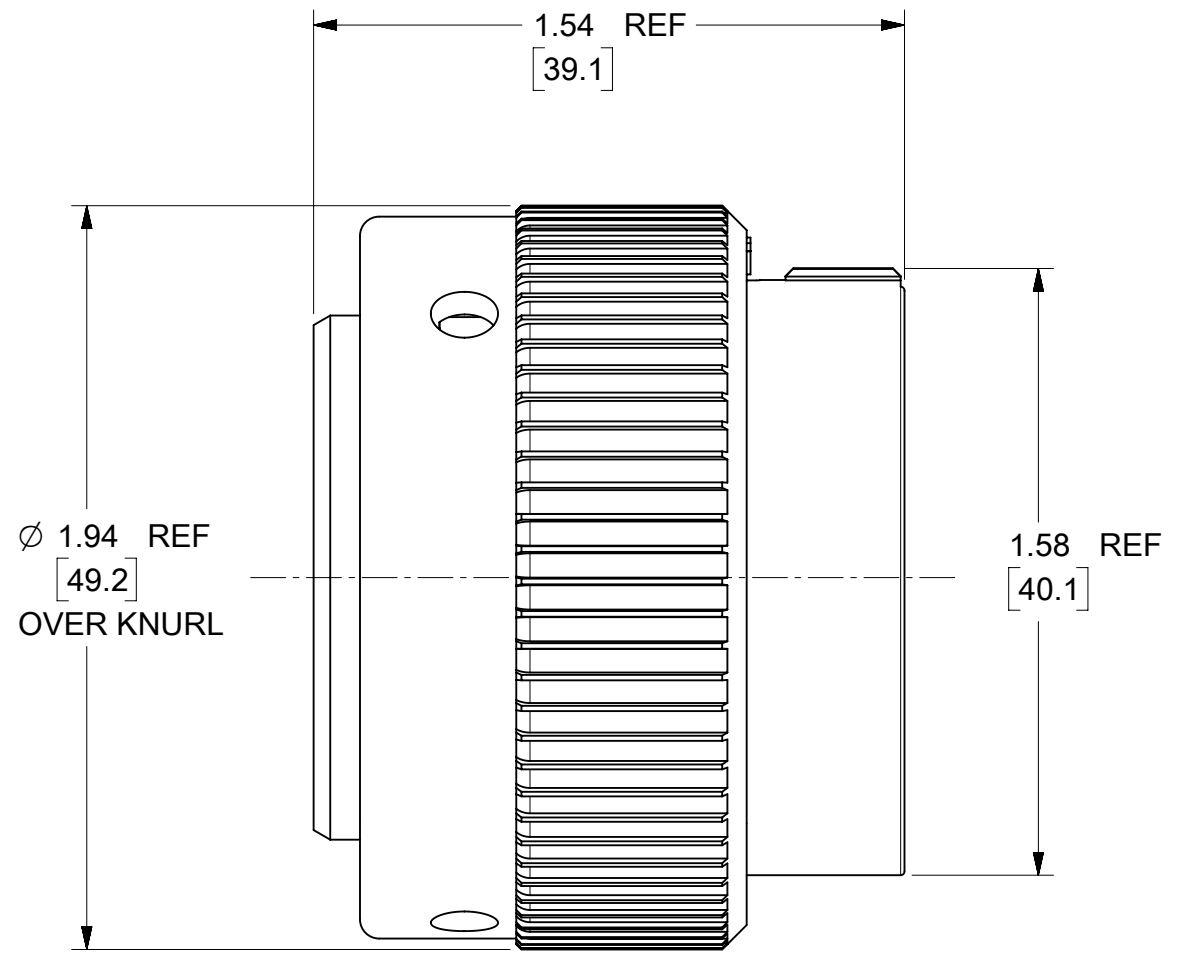
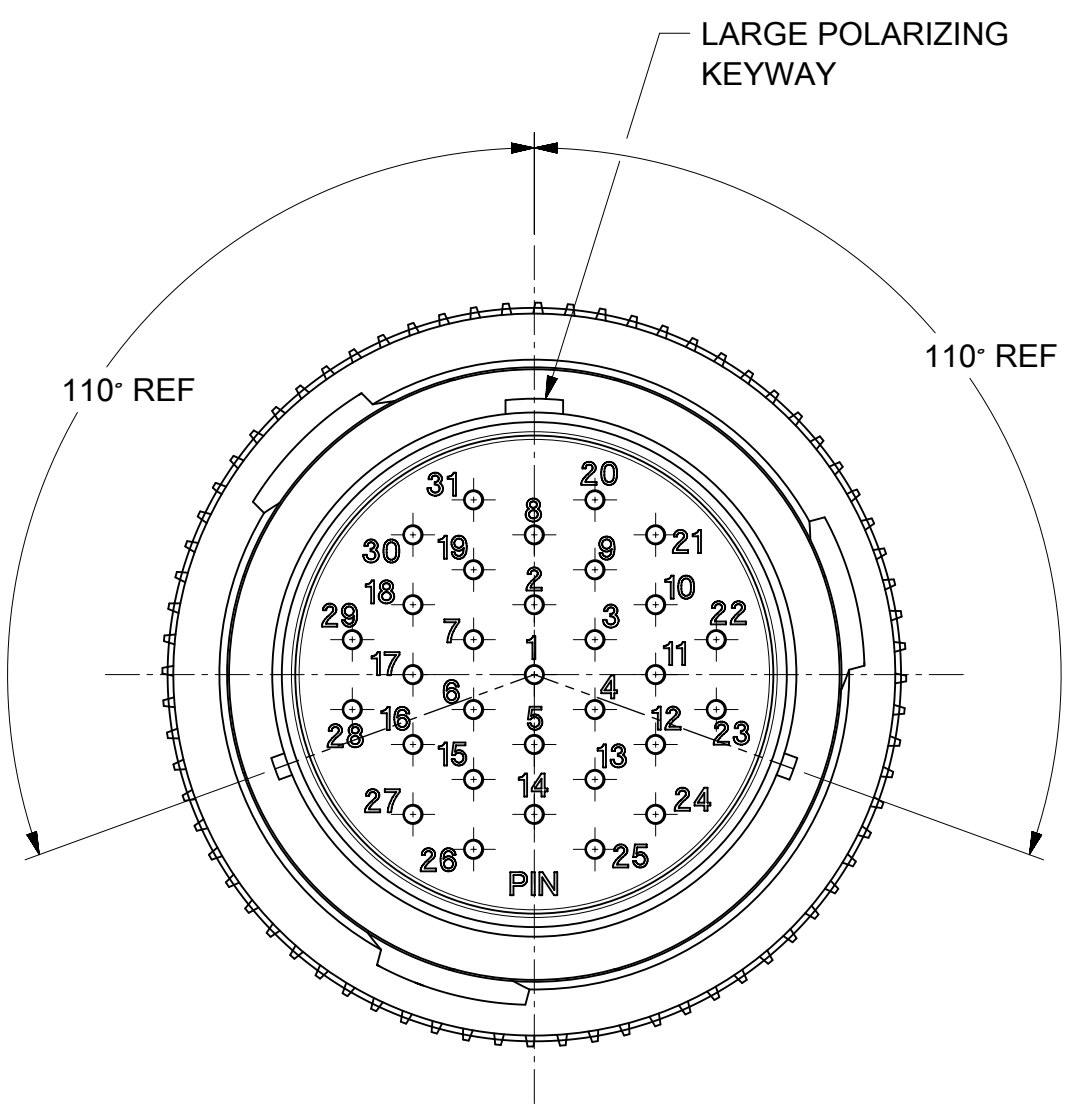
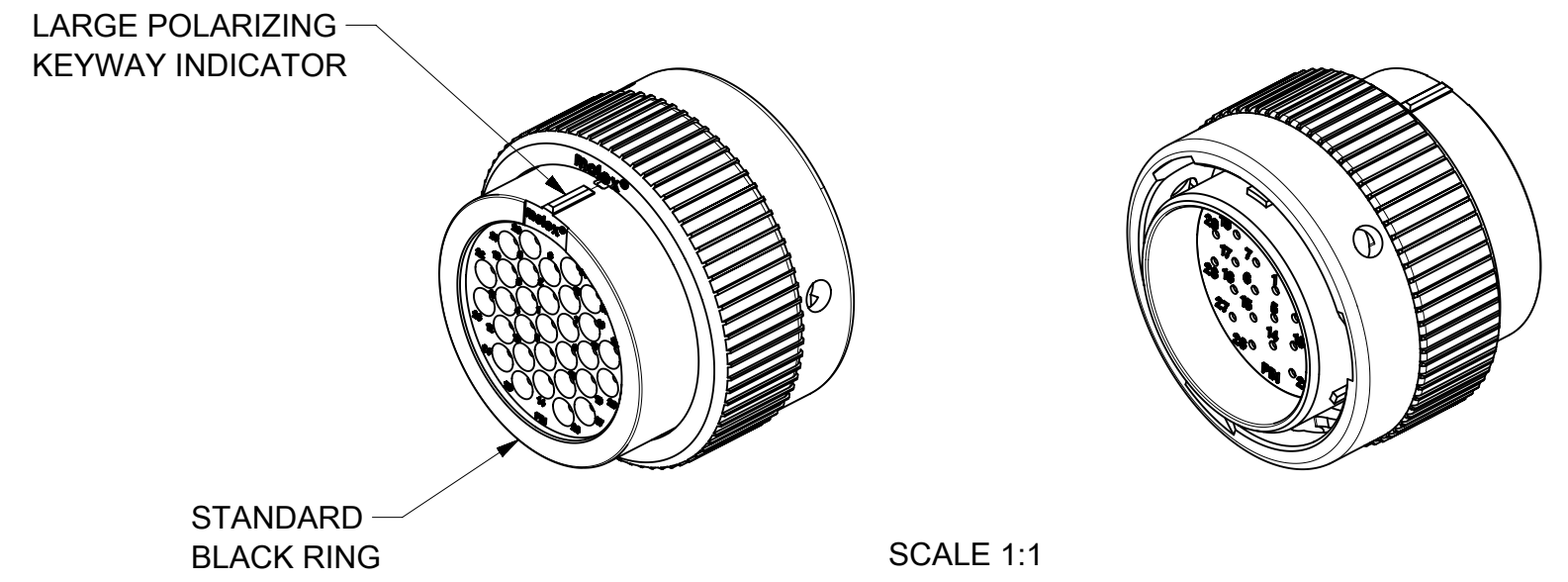


MATERIAL NUMBER	WIRE AWG	INSULATION DIA O.D.	RING
845050001	18 - 14	.053 - .134 [1.35 - 3.40]	STANDARD, BLACK

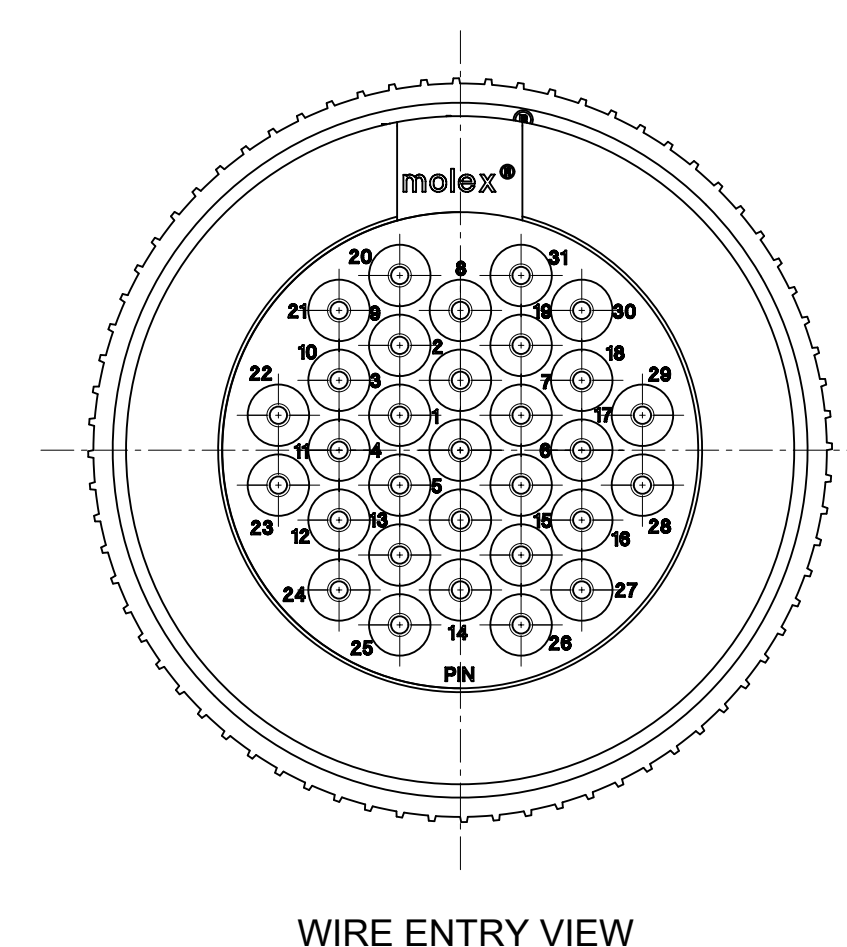
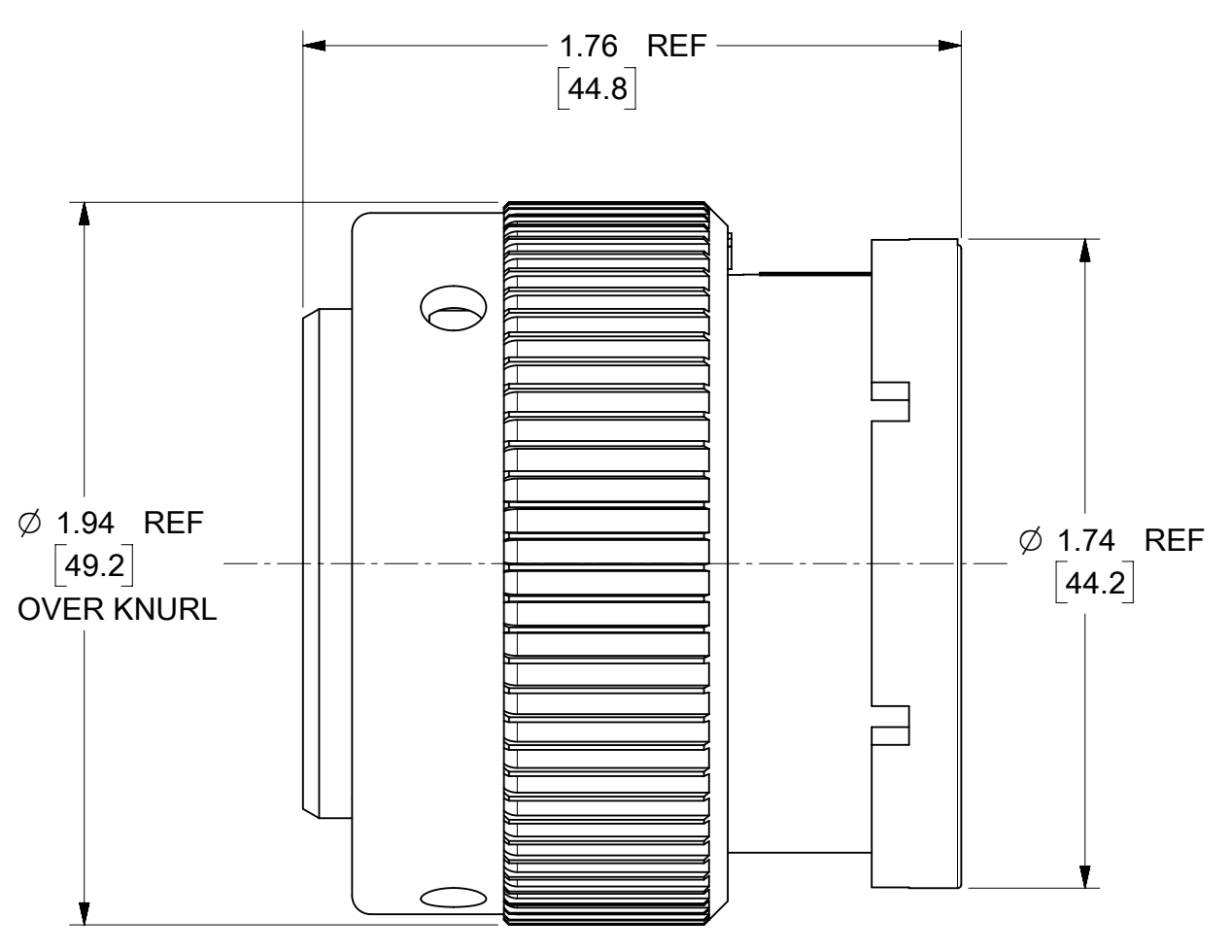
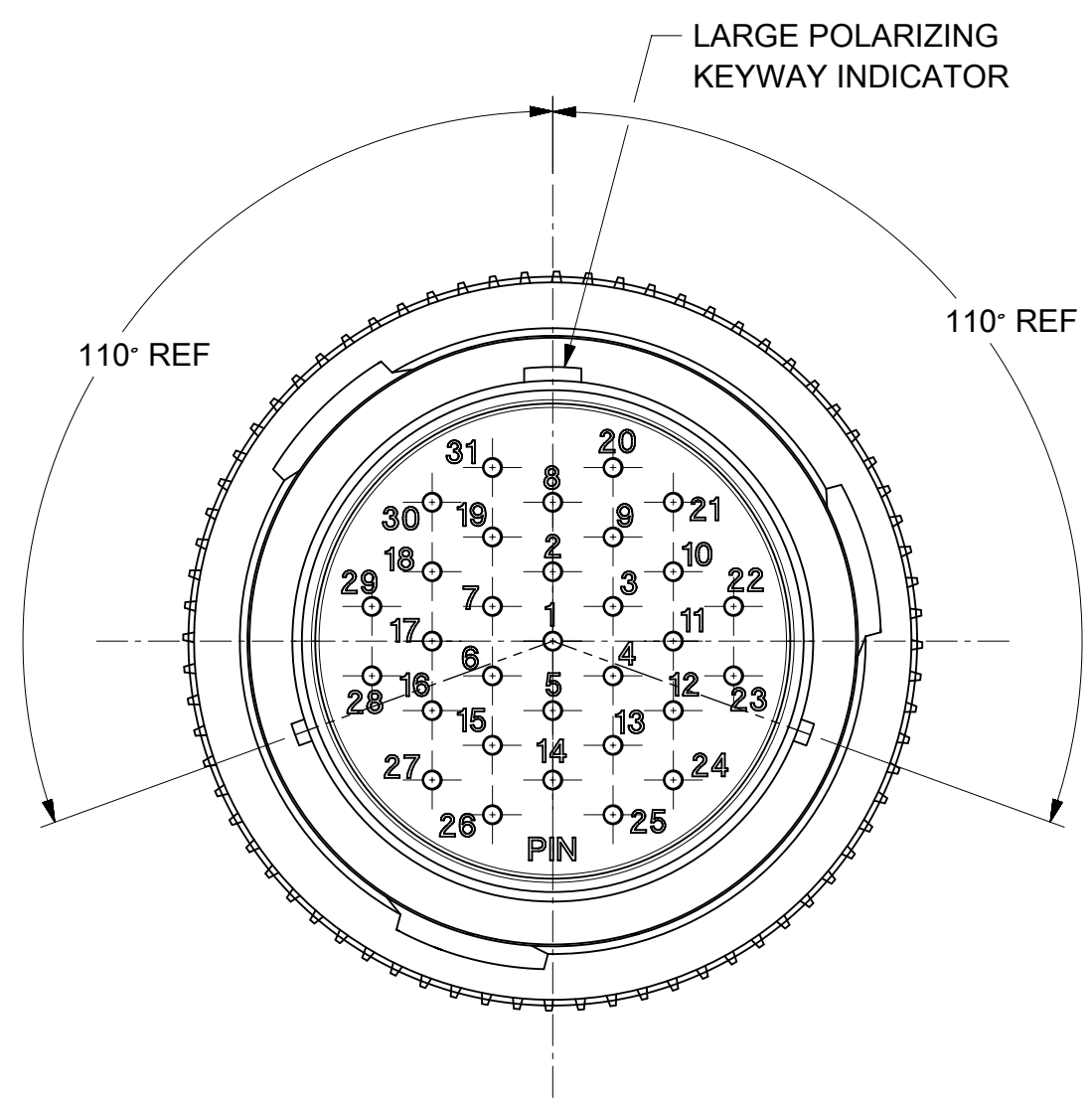
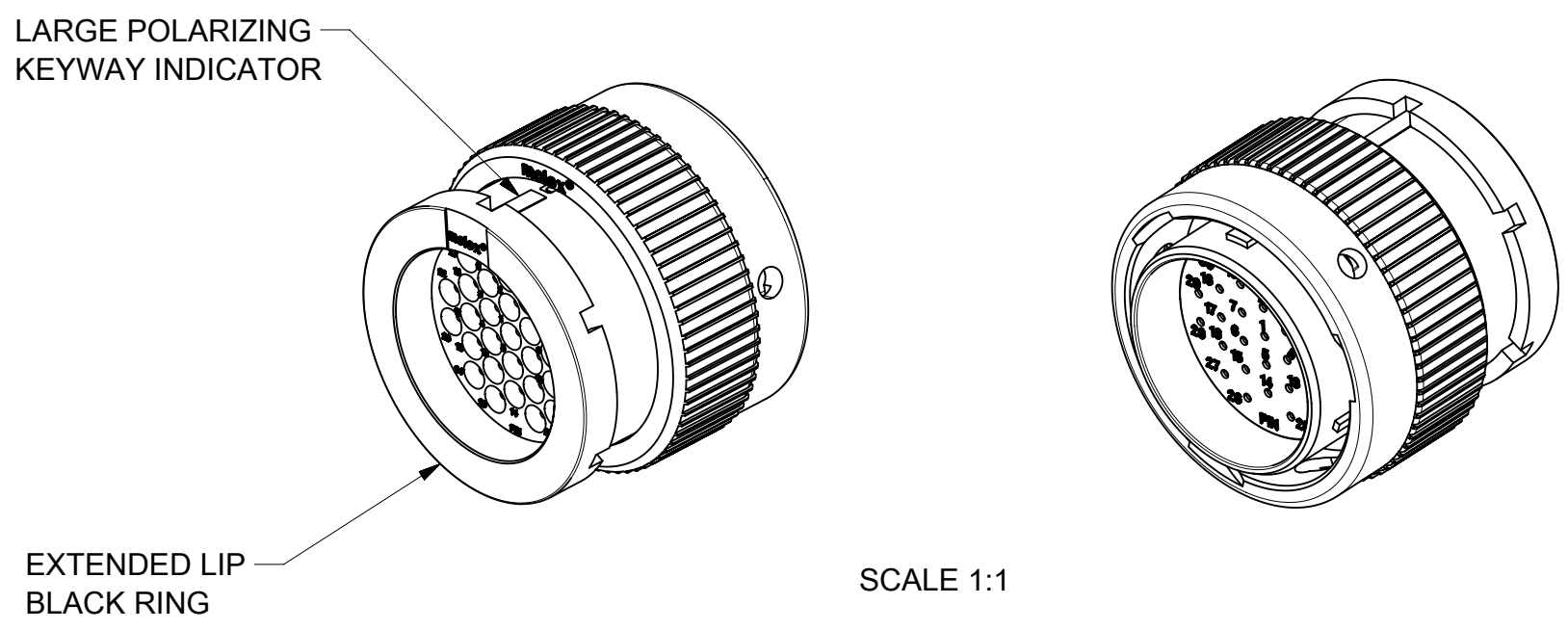


NOTES:

1. USE CONNECTOR WITH MALE CRIMP TERMINAL SERIES 84524.
2. MATES WITH RECEPTACLE CONNECTOR SERIES 84506.
3. ASSEMBLY IS ROHS COMPLIANT.
4. PACKAGED PER PK-84501-001.

QUALITY SYMBOLS 	THIS DRAWING CONTAINS INFORMATION THAT IS PROPRIETARY TO MOLEX ELECTRONIC TECHNOLOGIES, LLC AND SHOULD NOT BE USED WITHOUT WRITTEN PERMISSION										
	CAD MIGRATION EC NO: 122085 DRWN: CRAODOREMS CHKD: SMCGREEVY REV APPR: JDWALLACE	2017/09/01		2017/10/03		2017/10/03		DIMENSION UNITS IN[MM]		SCALE 2:1	
		GENERAL TOLERANCES (UNLESS SPECIFIED)						DRWN BY BRUPERT		DATE 2006/3/21	
		4 PLACES ±		±		±		CHK'D BY JPAWLICKI		DATE 2006/6/6	
		3 PLACES ±		±		±		APPR BY RDEROSS		DATE 2006/6/7	
		2 PLACES ±		±		± 0.015		DRAWING SIZE C		THIRD ANGLE PROJECTION	
	1 PLACES ±		± 0.38		±		ANGLULAR TOL = 2.0				
	0 PLACES ±		±		±		DRAFT WHERE APPLICABLE MUST REMAIN WITHIN DIMENSIONS				
	C1		SERIES 84505		MATERIAL NUMBER 845050001		CUSTOMER GENERAL MARKET				
	RELEASE STATUS P1		RELEASE DATE 03.10.2017		DOCUMENT NUMBER SD-84505-001		DOC TYPE PSD		DOC PART 001		SHEET NUMBER 1 OF 2
12		11		10		9		8		7	

MATERIAL NUMBER	WIRE AWG	INSULATION DIA O.D.	RING
845050003	18 - 14	.053 - .134 [1.35 - 3.40]	EXTENDED LIP, BLACK



- NOTES:
1. USE CONNECTOR WITH MALE CRIMP TERMINAL SERIES 84524.
 2. MATES WITH RECEPTACLE CONNECTOR SERIES 84506.
 3. USE CONNECTOR WITH STRAIN RELIEF BACKSHELL, MOLEX MATERIAL NO. 845370003.
 4. ASSEMBLY IS ROHS COMPLIANT.
 5. PACKAGED PER PK-84501-001.

QUALITY SYMBOLS 	THIS DRAWING CONTAINS INFORMATION THAT IS PROPRIETARY TO MOLEX ELECTRONIC TECHNOLOGIES, LLC AND SHOULD NOT BE USED WITHOUT WRITTEN PERMISSION											
	CAD MIGRATION EC NO: 122085 DRWN: CRAODOREMS CHKD: SMCGREEVY REV / APPR: JDWALLACE	2017/09/01		2017/10/03		2017/10/03		DIMENSION UNITS IN[MM]		SCALE 2:1		
		GENERAL TOLERANCES (UNLESS SPECIFIED)						DRWN BY BRUPERT		DATE 2006/3/21		
		4 PLACES ±		±		±		CHK'D BY JPAWLICKI		DATE 2006/6/6		
		3 PLACES ±		±		±		APPR BY RDEROSS		DATE 2006/6/7		
		2 PLACES ±		±		± 0.015		DRAWING SIZE C		THIRD ANGLE PROJECTION		
	1 PLACES ±		± 0.38		±		DRAFT WHERE APPLICABLE MUST REMAIN WITHIN DIMENSIONS					
	0 PLACES ±		±		±		SERIES 84505		MATERIAL NUMBER 845050003		CUSTOMER GENERAL MARKET	
	ANGULAR TOL = 2.0						DOCUMENT NUMBER SD-84505-001		DOC TYPE PSD		DOC PART 001	
	SHEET NUMBER 2 OF 2											