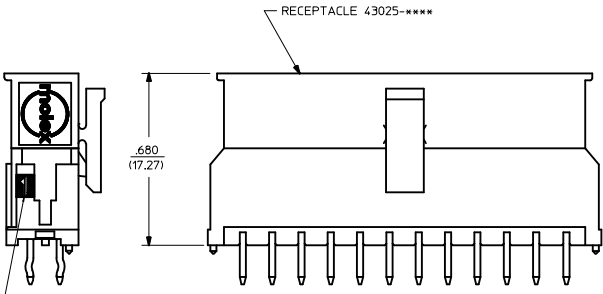
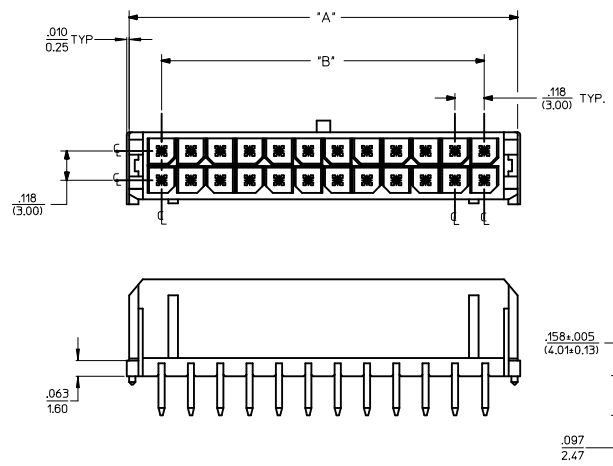


ASSEMBLY ITEM NUMBER	PART CHARACTERISTICS FOR VERTICAL		CKT. NO.	DIM. 'A'	DIM. 'B'	DIM. 'C'
	NUMBER OF POSITION	PLATING OPTION				
44067-0652	06	B	6	.498/(12.65)	.236/(6.00)	.472/(12.00)
44067-0851	08	A	8	.616/(15.65)	.354/(9.00)	.590/(15.00)
44067-0852	08	B	12	.852/(21.65)	.591/(15.00)	.827/(21.00)
44067-1253	12	C	14	.970/(24.65)	.709/(18.00)	.945/(24.00)
44067-1453	14	C	24	1.561/(39.65)	1.299/(33.00)	1.535/(39.00)
44067-2452	24	B				

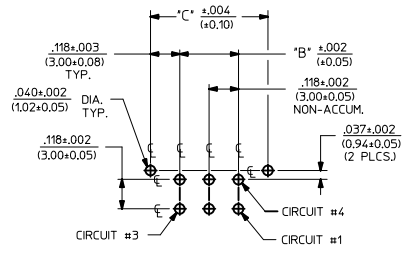


MATED MICRO-FIT CONNECTOR

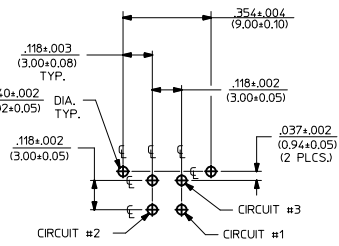
CIRCUIT "1" IDENTIFIED ON THIS SURFACE (APPROX. LOCATION SHOWN FOR REF.)



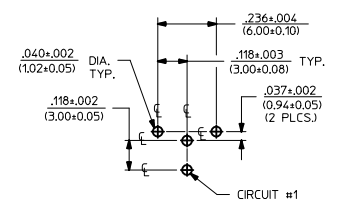
VERTICAL O.T.R. THRU HOLE (LONGER P.C. TAIL LENGTH)



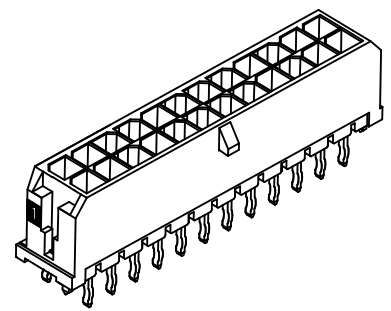
RECOMMENDED P.C. BOARD LAYOUT FOR 6 THRU 24 CIRCUIT HEADER



RECOMMENDED P.C. BOARD LAYOUT FOR 4 CIRCUIT HEADER



RECOMMENDED P.C. BOARD LAYOUT FOR 2 CIRCUIT HEADER



VERTICAL KINKED THRU HOLE HEADER ISO VIEW

- NOTES:
- 1) MATERIAL:
HOUSING - LIQUID CRYSTAL POLYMER (LCP), GLASS-FILLED UL94V-0, COLOR - BLACK
TERMINAL - BRASS ALLOY
 - 2) FINISHES:
A = .000100/(0.00254) MIN. TIN OVER
.000050/(0.00127) MIN. NICKEL PLATE.
B = .000015/(0.00038) MIN. SELECT GOLD IN CONTACT AREA.
.000100/(0.00254) MIN. SELECT MATTE TIN ON SOLDER TAILS.
BOTH OVER .000050/(0.00127) MIN. NICKEL PLATE.
C = .000030/(0.00076) MIN. SELECT GOLD IN CONTACT AREA.
.000100/(0.00254) MIN. SELECT MATTE TIN ON SOLDER TAILS.
BOTH OVER .000050/(0.00127) MIN. NICKEL PLATE.
 - 3) PRODUCT SPECIFICATION: PS-43045.
 - 4) PACKAGING SPECIFICATIONS ARE SHOWN ON DRAWING PK-70873-0314.
 - 5) THIS HEADER MATES WITH MICRO-FIT RECEPTACLE 43025-****.
 - 6) THIS HEADER IS DESIGNED IN METRIC.
 - 7) DESIGNED FOR .140/(3.56) MAX. THICK P.C. BOARDS.
 - 8) THE PRIMARY SHIPPING CARTON WILL BE LABELED, "COMPLIANT TO RoHS DIRECTIVE 2002/95/EC AND ELV ANNEX II OF DIRECTIVE 2000/53/EC." ASSEMBLIES WILL BE COMPLIANT TO THE RoHS AND ELV (LEAD-FREE) DIRECTIVES.
 - 9) THIS PART CONFORMS TO CLASS B REQUIREMENTS OF COSMETIC SPECIFICATION PS-45499-002.

ADD .291/7.40 DIM. EC NO. UCP2010-3273 DRAWN BY: DRW/MLK/PPER CHYK/SS/SS/SEK APPROV:FSM/TH 2008/02/25 2010/06/17 2010/06/29	QUALITY SYMBOLS ▽=0 ▽=0 ▽=0	GENERAL TOLERANCES (UNLESS SPECIFIED)		DIMENSION STYLE		SCALE	DESIGN UNITS	THIRD ANGLE PROJECTION	
				IN/MM		4:1	METRIC		
				mm	INCH	DRAWN BY		DATE	TITLE
				4 PLACES ± ---	± ---	RHOLTS	2004/07/22	MICRO-FIT(3.0) 2-24 CKT. VERTICAL LEAD-FREE	
		3 PLACES ± ---	± .010	CHECKED BY		DATE			
		2 PLACES ± 0.25	± .014	LSCHM/DT		2004/07/22			
		1 PLACE ± 0.36	± ---	APPROVED BY		DATE			
		ANGULAR ±1/2°		FSM/TH		2004/07/22			
DRAFT WHERE APPLICABLE MUST REMAIN WITHIN DIMENSIONS		SEE CHART		MATERIAL NO.		DOCUMENT NO.			
				SD-44067-002		MOLEX INCORPORATED			
				SIZE D		SHEET NO. 1 OF 1			
				THIS DRAWING CONTAINS INFORMATION THAT IS PROPRIETARY TO MOLEX INCORPORATED AND SHOULD NOT BE USED WITHOUT WRITTEN PERMISSION					