

# HC-STA-RJ45PC-HT-M20-PLRBK - Connector set



1249556

<https://www.phoenixcontact.com/us/products/1249556>

Please be informed that the data shown in this PDF document is generated from our online catalog. Please find the complete data in the user documentation. Our general terms of use for downloads are valid.

Connector set, material: PA, cable outlet: straight, with slotted seal, with adapter for patch cables



## Your advantages

- Lower costs than metal version
- Labeling option using 9 x 20 mm marking label
- Low weight
- Lower risk of condensation

## Commercial data

Item number	1249556
Packing unit	1 pc
Minimum order quantity	1 pc
Sales key	BF63
Product key	BF7AFX
GTIN	4063151353667
Weight per piece (including packing)	31.2 g
Weight per piece (excluding packing)	31 g
Customs tariff number	85366990
Country of origin	CN

# HC-STA-RJ45PC-HT-M20-PLRBK - Connector set



1249556

<https://www.phoenixcontact.com/us/products/1249556>

## Set consists of

### HC-Q-I-RJ45-AD-PC-M - Contact insert

1077120

<https://www.phoenixcontact.com/us/products/1077120>



Contact insert, number of positions: RJ45, size: D7, type : RJ45, Pin, 50 V, 1 A, application: Data, Adapter for patch cables

---

### HC-STA-D07-HHFS-1TGM20-PL-BK - Housing

1419255

<https://www.phoenixcontact.com/us/products/1419255>



Sleeve housing D7, for single locking latch, material: PA, cable outlets: 1, straight, 1x M20, height: 77.6 mm, cable gland: with, Standard

1249556

<https://www.phoenixcontact.com/us/products/1249556>

## Technical data

### Notes

General	Connectors may be operated only when there is no load/voltage.
---------	--

### Product properties

Type	D7
Product type	Connector set
Type of the screw connection	1x M20
Series	HC-D
Cable outlet	straight

### Insulation characteristics

Degree of pollution	3
---------------------	---

### Material specifications

Flammability rating according to UL 94	V0
Seal material	NBR
Contact carrier material	PC
Impact strength	IK06
Housing material	PA

### Cable/line

External cable diameter ( )	4 mm ... 7 mm
-----------------------------	---------------

### Mechanical properties

#### Mechanical data

Type of the screw connection	1x M20
------------------------------	--------

### Environmental and real-life conditions

#### Ambient conditions

Degree of protection	IP66
Impact strength	IK06
Ambient temperature (operation)	-25 °C ... 60 °C

### Mounting

Mounting type	Latching with lower housing part
---------------	----------------------------------

# HC-STA-RJ45PC-HT-M20-PLRBK - Connector set

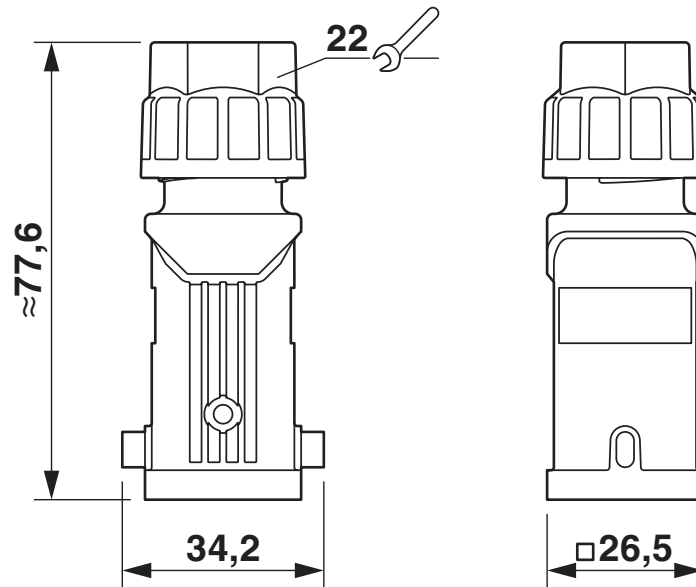


1249556

<https://www.phoenixcontact.com/us/products/1249556>

## Drawings

Dimensional drawing



Dimensional drawing

# HC-STA-RJ45PC-HT-M20-PLRBK - Connector set



1249556

<https://www.phoenixcontact.com/us/products/1249556>

## Classifications

### ECLASS

ECLASS-11.0	27440101
ECLASS-12.0	27440113
ECLASS-13.0	27440113

### ETIM

ETIM 8.0	EC002636
----------	----------

### UNSPSC

UNSPSC 21.0	39121400
-------------	----------

# HC-STA-RJ45PC-HT-M20-PLRBK - Connector set



1249556

<https://www.phoenixcontact.com/us/products/1249556>

## Environmental product compliance

China RoHS	Environmentally friendly use period: unlimited = EFUP-e
	No hazardous substances above threshold values

# HC-STA-RJ45PC-HT-M20-PLRBK - Connector set



1249556

<https://www.phoenixcontact.com/us/products/1249556>

## Accessories

### HC-STA-RJ45GC-BWSC-PLRBK - Connector set

1249559

<https://www.phoenixcontact.com/us/products/1249559>



Connector set, number of positions: 8, CAT6, material: PA, Gender changer

---

### HC-STA-RJ45GC-BWSC-ELAL - Connector set

1249560

<https://www.phoenixcontact.com/us/products/1249560>



Connector set, number of positions: 8, CAT6, material: Die-cast aluminum, salt water resistant, Gender changer

# HC-STA-RJ45PC-HT-M20-PLRBK - Connector set



1249556

<https://www.phoenixcontact.com/us/products/1249556>

## FL CAT5 PATCH 0,3 - Patch cable

2832250

<https://www.phoenixcontact.com/us/products/2832250>

Patch cable, CAT5, assembled, 0.3 m



---

## FL CAT5 PATCH 0,5 - Patch cable

2832263

<https://www.phoenixcontact.com/us/products/2832263>

Patch cable, CAT5, assembled, 0.5 m





# HC-STA-RJ45PC-HT-M20-PLRBK - Connector set



1249556

<https://www.phoenixcontact.com/us/products/1249556>

## FL CAT5 PATCH 1,0 - Patch cable

2832276

<https://www.phoenixcontact.com/us/products/2832276>

Patch cable, CAT5, assembled, 1 m



---

## FL CAT5 PATCH 1,5 - Patch cable

2832221

<https://www.phoenixcontact.com/us/products/2832221>

Patch cable, CAT5, assembled, 1.5 m



# HC-STA-RJ45PC-HT-M20-PLRBK - Connector set



1249556

<https://www.phoenixcontact.com/us/products/1249556>

## FL CAT5 PATCH 2,0 - Patch cable

2832289

<https://www.phoenixcontact.com/us/products/2832289>

Patch cable, CAT5, assembled, 2 m



---

## FL CAT5 PATCH 3,0 - Patch cable

2832292

<https://www.phoenixcontact.com/us/products/2832292>

Patch cable, CAT5, assembled, 3 m



# HC-STA-RJ45PC-HT-M20-PLRBK - Connector set



1249556

<https://www.phoenixcontact.com/us/products/1249556>

## FL CAT5 PATCH 5,0 - Patch cable

2832580

<https://www.phoenixcontact.com/us/products/2832580>

Patch cable, CAT5, assembled, 5 m



---

## FL CAT5 PATCH 7,5 - Patch cable

2832616

<https://www.phoenixcontact.com/us/products/2832616>

Patch cable, CAT5, assembled, 7.5 m



# HC-STA-RJ45PC-HT-M20-PLRBK - Connector set



1249556

<https://www.phoenixcontact.com/us/products/1249556>

## FL CAT5 PATCH 10,0 - Patch cable

2832629

<https://www.phoenixcontact.com/us/products/2832629>

Patch cable, CAT5, assembled, 10 m



---

## FL CAT6 PATCH 0,3 - Patch cable

2891181

<https://www.phoenixcontact.com/us/products/2891181>

Patch cable, CAT6, preassembled, 0.3 m



# HC-STA-RJ45PC-HT-M20-PLRBK - Connector set



1249556

<https://www.phoenixcontact.com/us/products/1249556>

## FL CAT6 PATCH 0,5 - Patch cable

2891288

<https://www.phoenixcontact.com/us/products/2891288>



Patch cable, CAT6, preassembled, 0.5 m

---

## FL CAT6 PATCH 1,0 - Patch cable

2891385

<https://www.phoenixcontact.com/us/products/2891385>



Patch cable, CAT6, preassembled, 1.0 m

# HC-STA-RJ45PC-HT-M20-PLRBK - Connector set

1249556

<https://www.phoenixcontact.com/us/products/1249556>



## FL CAT6 PATCH 1,5 - Patch cable

2891482

<https://www.phoenixcontact.com/us/products/2891482>



Patch cable, CAT6, preassembled, 1.5 m

---

## FL CAT6 PATCH 2,0 - Patch cable

2891589

<https://www.phoenixcontact.com/us/products/2891589>



Patch cable, CAT6, preassembled, 2.0 m

# HC-STA-RJ45PC-HT-M20-PLRBK - Connector set



1249556

<https://www.phoenixcontact.com/us/products/1249556>

## FL CAT6 PATCH 3,0 - Patch cable

2891686

<https://www.phoenixcontact.com/us/products/2891686>



Patch cable, CAT6, preassembled, 3.0 m

---

## FL CAT6 PATCH 5,0 - Patch cable

2891783

<https://www.phoenixcontact.com/us/products/2891783>



Patch cable, CAT6, preassembled, 5.0 m

# HC-STA-RJ45PC-HT-M20-PLRBK - Connector set



1249556

<https://www.phoenixcontact.com/us/products/1249556>

## FL CAT6 PATCH 7,5 - Patch cable

2891880

<https://www.phoenixcontact.com/us/products/2891880>



Patch cable, CAT6, preassembled, 7.5 m

---

## FL CAT6 PATCH 10 - Patch cable

2891877

<https://www.phoenixcontact.com/us/products/2891877>



Patch cable, CAT6, preassembled, 10 m



# HC-STA-RJ45PC-HT-M20-PLRBK - Connector set



1249556

<https://www.phoenixcontact.com/us/products/1249556>

## FL CAT6 PATCH 12,5 - Patch cable

2891369

<https://www.phoenixcontact.com/us/products/2891369>



Patch cable, CAT6, preassembled, 12.5 m

---

## FL CAT6 PATCH 15,0 - Patch cable

2891372

<https://www.phoenixcontact.com/us/products/2891372>



Patch cable, CAT6, preassembled, 15.0 m

# HC-STA-RJ45PC-HT-M20-PLRBK - Connector set

1249556

<https://www.phoenixcontact.com/us/products/1249556>



## FL CAT6 PATCH 20,0 - Patch cable

2891576

<https://www.phoenixcontact.com/us/products/2891576>



Patch cable, CAT6, preassembled, 20.0 m

---

## NBC-R4AC1/0,3-94G/R4AC1-BU - Patch cable

1413158

<https://www.phoenixcontact.com/us/products/1413158>



Patch cable, degree of protection: IP20, cable length: 0.3 m, number of positions: 8, 10 Gbps, CAT6<sub>A</sub>, connection method: Pierce connection, Ethernet

# HC-STA-RJ45PC-HT-M20-PLRBK - Connector set

1249556

<https://www.phoenixcontact.com/us/products/1249556>



## NBC-R4AC1/0,5-94G/R4AC1-BU - Patch cable

1413159

<https://www.phoenixcontact.com/us/products/1413159>



Patch cable, degree of protection: IP20, cable length: 0.5 m, number of positions: 8, 10 Gbps, CAT6<sub>A</sub>, Ethernet

---

## NBC-R4AC1/1,0-94G/R4AC1-BU - Patch cable

1413160

<https://www.phoenixcontact.com/us/products/1413160>



Patch cable, degree of protection: IP20, cable length: 1 m, number of positions: 8, 10 Gbps, CAT6<sub>A</sub>, Ethernet

# HC-STA-RJ45PC-HT-M20-PLRBK - Connector set



1249556

<https://www.phoenixcontact.com/us/products/1249556>

## NBC-R4AC1/2,0-94G/R4AC1-BU - Patch cable

1413161

<https://www.phoenixcontact.com/us/products/1413161>



Patch cable, degree of protection: IP20, cable length: 2 m, number of positions: 8, 10 Gbps, CAT6<sub>A</sub>, Ethernet

---

## NBC-R4AC1/3,0-94G/R4AC1-BU - Patch cable

1413162

<https://www.phoenixcontact.com/us/products/1413162>



Patch cable, degree of protection: IP20, cable length: 3 m, number of positions: 8, 10 Gbps, CAT6<sub>A</sub>, Ethernet

# HC-STA-RJ45PC-HT-M20-PLRBK - Connector set



1249556

<https://www.phoenixcontact.com/us/products/1249556>

## NBC-R4AC1/5,0-94G/R4AC1-BU - Patch cable

1413163

<https://www.phoenixcontact.com/us/products/1413163>



Patch cable, degree of protection: IP20, cable length: 5 m, number of positions: 8, 10 Gbps, CAT6<sub>A</sub>, Ethernet

---

## NBC-R4AC1/10,0-94G/R4AC1-BU - Patch cable

1413164

<https://www.phoenixcontact.com/us/products/1413164>



Patch cable, degree of protection: IP20, cable length: 10 m, number of positions: 8, 10 Gbps, CAT6<sub>A</sub>, Ethernet

# HC-STA-RJ45PC-HT-M20-PLRBK - Connector set



1249556

<https://www.phoenixcontact.com/us/products/1249556>

## NBC-R4AC1/15,0-94G/R4AC1-BU - Patch cable

1413165

<https://www.phoenixcontact.com/us/products/1413165>



Patch cable, degree of protection: IP20, cable length: 15 m, number of positions: 8, 10 Gbps, CAT6<sub>A</sub>, Ethernet

---

## NBC-R4AC1/20,0-94G/R4AC1-BU - Patch cable

1413166

<https://www.phoenixcontact.com/us/products/1413166>



Patch cable, degree of protection: IP20, cable length: 20 m, number of positions: 8, 10 Gbps, CAT6<sub>A</sub>, Ethernet

---

Phoenix Contact 2023 © - all rights reserved  
<https://www.phoenixcontact.com>

Phoenix Contact USA  
586 Fulling Mill Road  
Middletown, PA 17057, United States  
(+717) 944-1300  
[info@phoenixcon.com](mailto:info@phoenixcon.com)