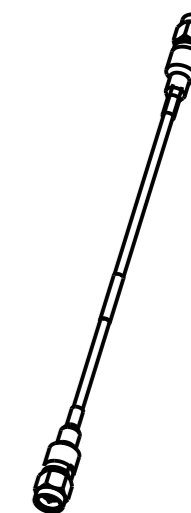
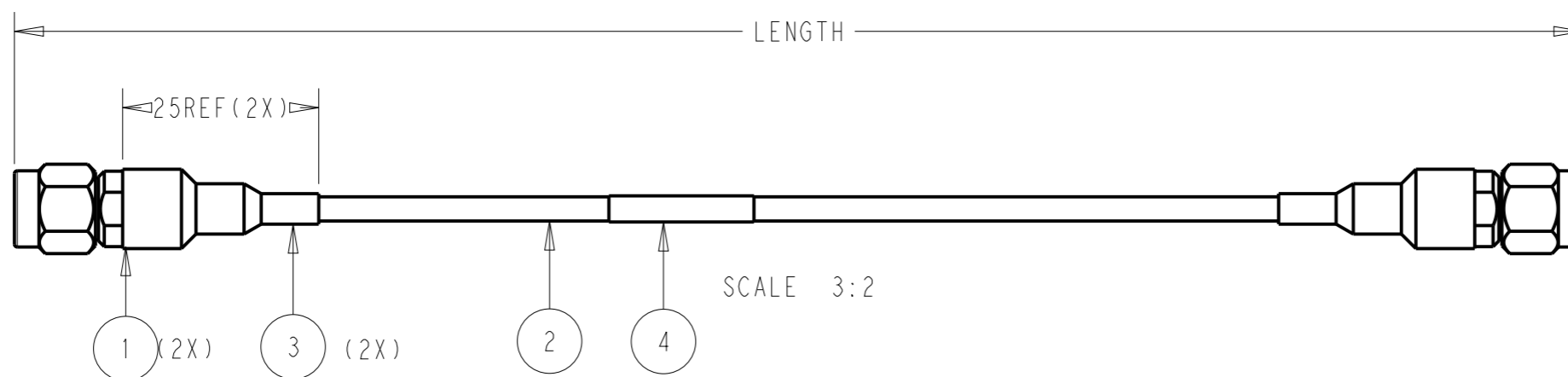


P	LTR	DESCRIPTION	DATE	DWN	APVD
	A	INITIAL CREATED	30MAR2021	CL	WH



2-2016757-0	2000±10
1-2016757-5	1500±10
1-2016757-0	1000±10
2016757-9	350±5
2016757-8	250±3
2016757-7	150±3
2016757-6	50±3
2016757-5	500±5
2016757-4	400±5
2016757-3	300±4
2016757-2	200±3
2016757-1	100±3
PART NUMBER	LENGTH

NOTES:

- MATERIAL AND PROCESSING MUST MEET REQUIREMENTS OF TEC-138-702
- MATERIAL CHARACTERISTIC
SMA CONN: INNER CONTACT: BeCu, 30MICRO-INCH MIN GOLD PLATING
OUTER BODY: STAINLESS STEEL, PASSIVATION
OTHER: BRASS
CABLE: RG405 (.086) FLEXIBLE CABLE, BLUE
- PRODUCT RATING:
TEMPERATURE: -45°C TO +125°C
VOLTAGE: 500V (RMS)
CHARACTERISTIC IMPEDANCE: 50OHMS (NORMAL)
FREQUENCY RANGE: DC TO 27GHz
BEND RADIUS: 12MM MIN (REPEATED)
- CABLE ASSEMBLY TO BE 100% SI TESTED
VSWR: 1.25:1 MAX @ DC~27000MHz
INSERT LOSS: $\{[0.0207 * \text{SQRT}(f) + 0.000039 * f] * \text{LENGTH} + 0.015f / 1000\}$ dB (TYPICAL)
LENGTH UNIT IS METER IN THE FORMULA. f IS FREQUENCY IN MHz
- CONNECTOR FOLLOW IEC 60169-15
- CABLE ASSEMBLY CAN MEET MECHANICAL
COUPLING TORQUE(NORMAL): 0.8~1.1N.M
TENSILE STRENGTH OF COUPLING: 180N MIN
CABLE PULLING: 90N MIN
- LABEL WILL MARK PN, NAME, YEAR AND WEEK
- CONNECTOR BE PROTECTED WITH CAP

PC	Q'TY	DESCRIPTION	ITEM
PC	1	LABEL	4
MR	AR	HEAT SHRINK TUBE BLACK	3
MR	AR	EPC-086 CABLE, 27GHz, FLEX, BLUE	2
PC	2	SMA PLUG, 27GHz, FOR EPC-086	1

THIS DRAWING IS A CONTROLLED DOCUMENT.		DWN 09DEC2020 Cedar Liu		
DIMENSIONS: mm		CHK 09DEC2020 Roger Song		
TOLERANCES UNLESS OTHERWISE SPECIFIED:		APVD - Wenke He	NAME EP-SMA, 27GHz STR, M-M, RG405(.086) FLEX	
0 PLC ±-		PRODUCT SPEC -	-	
1 PLC ±0.1		APPLICATION SPEC -	-	
2 PLC ±0.01		WEIGHT -	SIZE A3	CAGE CODE 00779
3 PLC ±0.001		MATERIAL TBD	DRAWING NO C-2016757	RESTRICTED TO -
4 PLC ±0.0001			FINISH -	SCALE 1:1
ANGLES ±-		finish_spec_2	CUSTOMER DRAWING	REV A