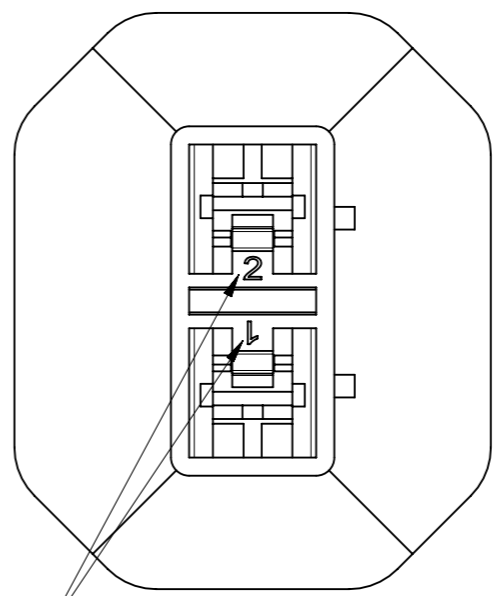
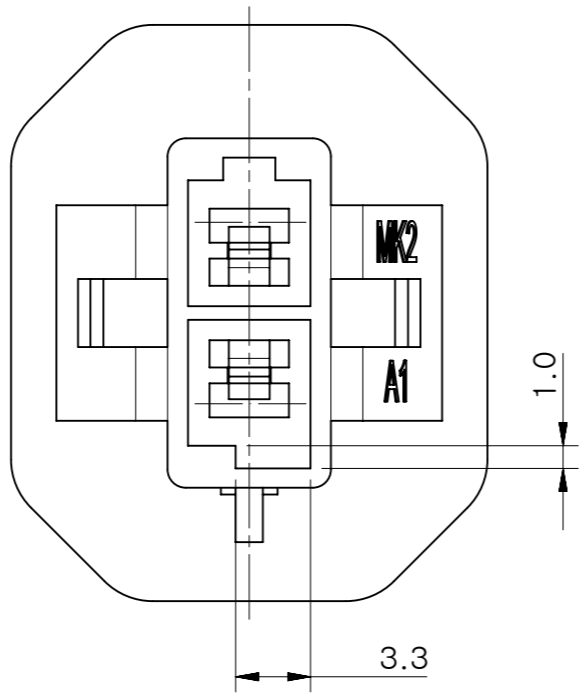
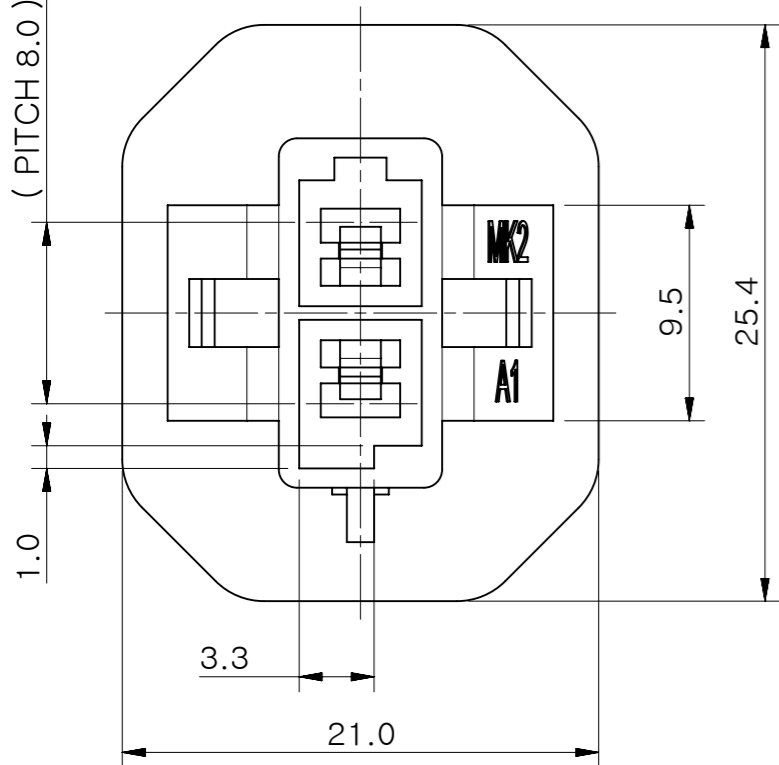


[TYPE-A]  
35180-0209

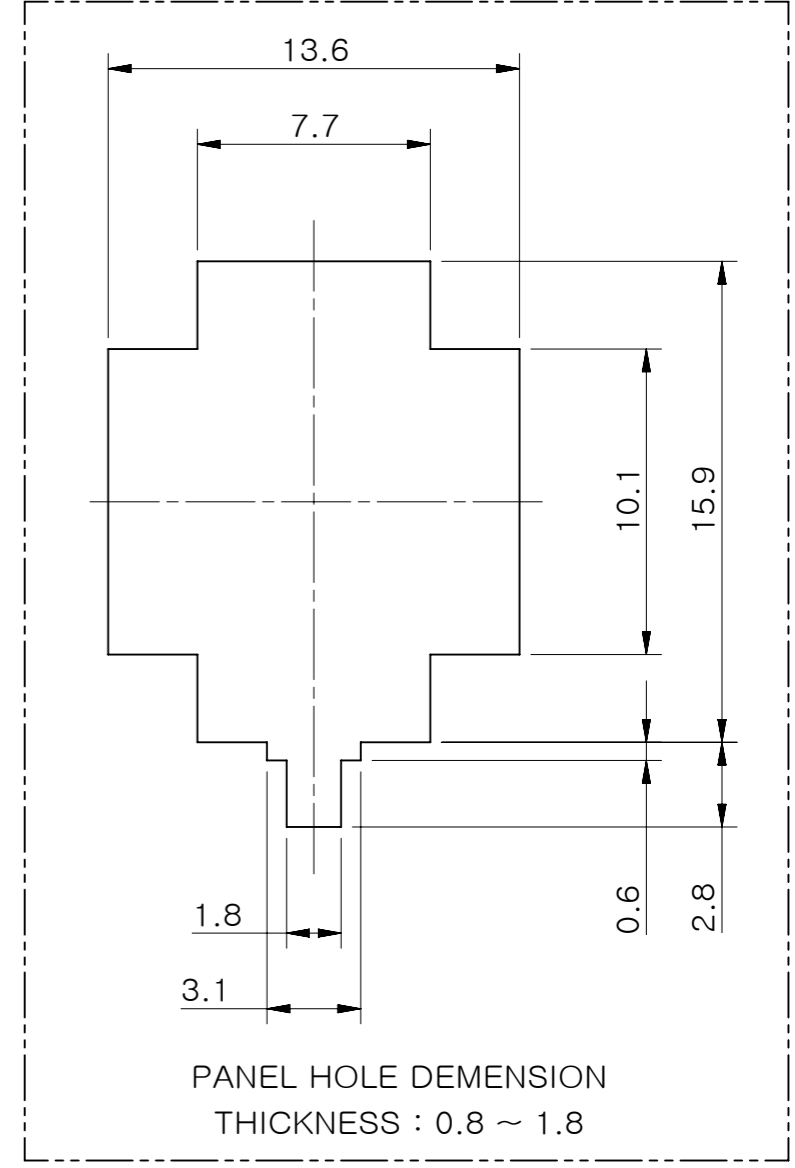
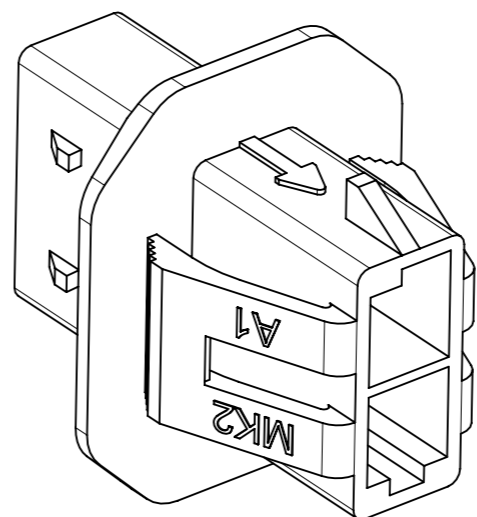
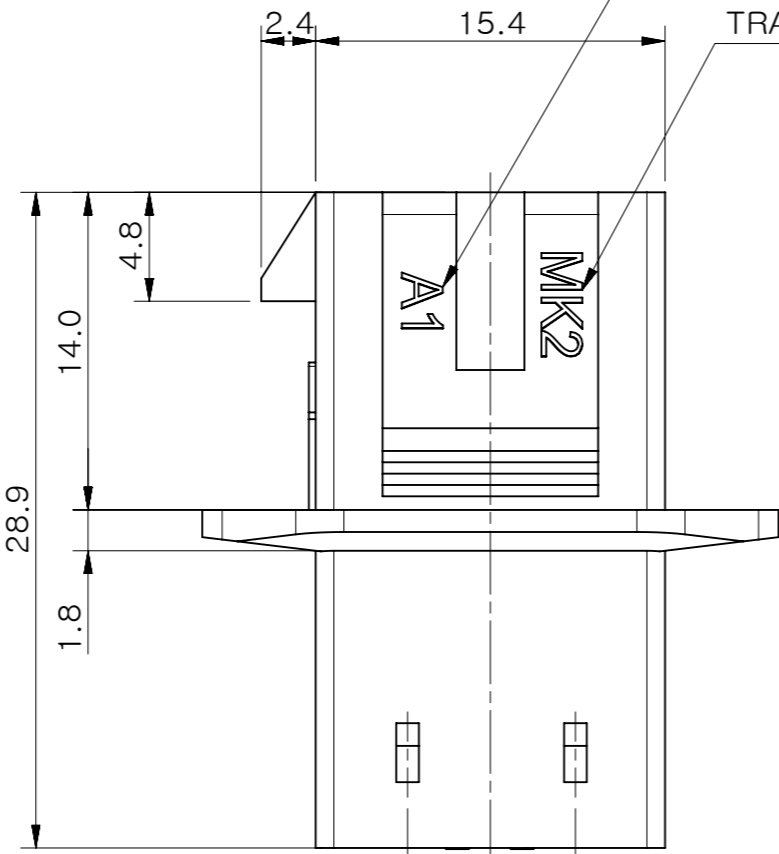
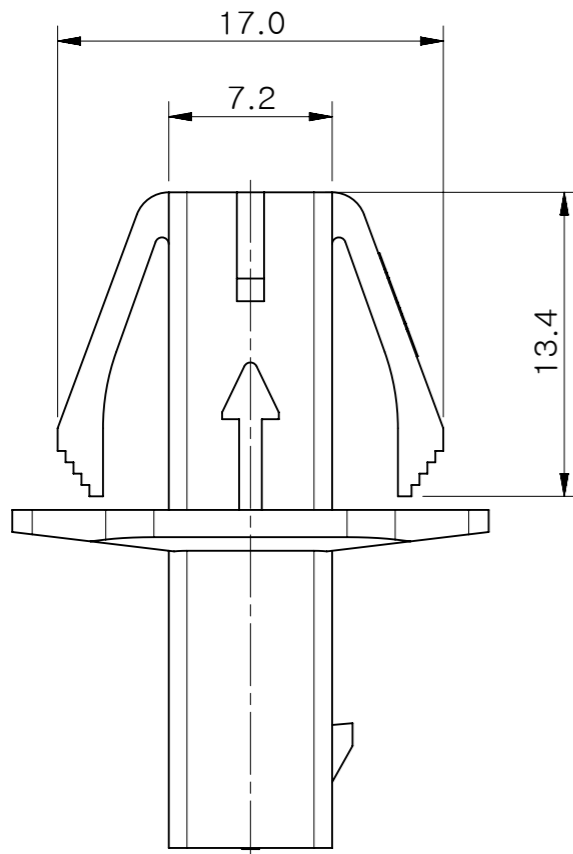
[TYPE-C]  
35180-0229

- NOTES.
1. MATERIAL & COLOR : SEE TABLE
  2. MATED HOUSING : SEE TABLE
  3. APPLICABLE TERMINAL : 35745 -0\*10
  4. APPLICABLE TPA : 35965-029\*
  5. PRODUCT SPECIFICATION : 351800200PS
  6. PACKAGE SPECIFICATION : 351800200SPK



CIRCUIT NO.  
VIEW "A"

CAVITY NO. (A1,A2,...)



PANEL HOLE DEMENSION  
THICKNESS : 0.8 ~ 1.8

VIEW "A"

NO.	MATERIAL NO.	COLOR	DESCRIPTION	MATED HOUSING
1	351800209 (TYPE-A)	NATURAL	PC/PET (UL94V-0, UNFILLED G/F)	35965-920* (TYPE-A)
				35965-922* (TYPE-C)
2	351800229 (TYPE-C)	NATURAL		204102-0209
				204102-0219

FUNCTIONAL SYMBOLS	THIS DRAWING CONTAINS INFORMATION THAT IS PROPRIETARY TO MOLEX ELECTRONIC TECHNOLOGIES, LLC AND SHOULD NOT BE USED WITHOUT WRITTEN PERMISSION	CURRENT REV DESC:		<b>molex</b>																										
	<table border="1"> <tr> <th>FUNCTIONAL SYMBOLS</th> <th>DIMENSION UNITS</th> <th>SCALE</th> </tr> <tr> <td><math>\nabla/A = 0</math></td> <td>mm</td> <td>3:1</td> </tr> <tr> <td><math>\nabla/E = 0</math></td> <td colspan="2">GENERAL TOLERANCES (UNLESS SPECIFIED)</td> </tr> <tr> <td><math>\nabla/F = 0</math></td> <td colspan="2">ANGULAR TOL ± °</td> </tr> <tr> <td></td> <td>4 PLACES</td> <td>±</td> </tr> <tr> <td></td> <td>3 PLACES</td> <td>±</td> </tr> <tr> <td></td> <td>2 PLACES</td> <td>± 0.25</td> </tr> <tr> <td></td> <td>1 PLACE</td> <td>± 0.3</td> </tr> <tr> <td></td> <td>0 PLACES</td> <td>± 0.3</td> </tr> </table>	FUNCTIONAL SYMBOLS	DIMENSION UNITS		SCALE	$\nabla/A = 0$	mm	3:1	$\nabla/E = 0$	GENERAL TOLERANCES (UNLESS SPECIFIED)		$\nabla/F = 0$	ANGULAR TOL ± °			4 PLACES	±		3 PLACES	±		2 PLACES	± 0.25		1 PLACE	± 0.3		0 PLACES	± 0.3	EC NO: 681214 DRWN: JDPARK01 CHK'D: SCHONG03 APPR: JBJIN INITIAL REVISION: DRWN: JDPARK01 APPR: JBJIN
FUNCTIONAL SYMBOLS	DIMENSION UNITS	SCALE																												
$\nabla/A = 0$	mm	3:1																												
$\nabla/E = 0$	GENERAL TOLERANCES (UNLESS SPECIFIED)																													
$\nabla/F = 0$	ANGULAR TOL ± °																													
	4 PLACES	±																												
	3 PLACES	±																												
	2 PLACES	± 0.25																												
	1 PLACE	± 0.3																												
	0 PLACES	± 0.3																												
DIVISIONAL SYMBOLS	DRAFT WHERE APPLICABLE MUST REMAIN WITHIN DIMENSIONS		THIRD ANGLE PROJECTION DRAWING SERIES MATERIAL NUMBER CUSTOMER SHEET NUMBER	EC NO: 681214 DRWN: JDPARK01 CHK'D: SCHONG03 APPR: JBJIN 2021/01/04 2021/10/18 2021/01/04 2021/10/18 351800200 PSD 000 A 1 OF 1																										