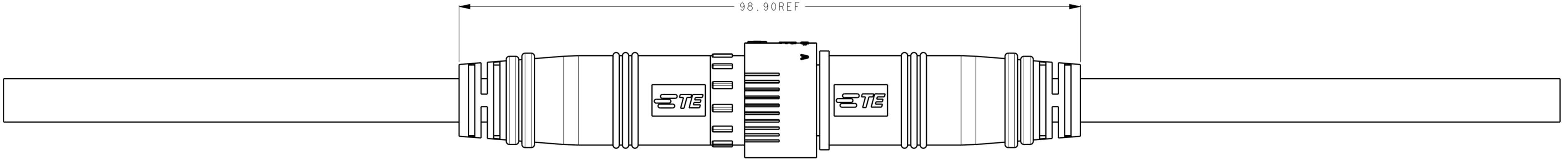
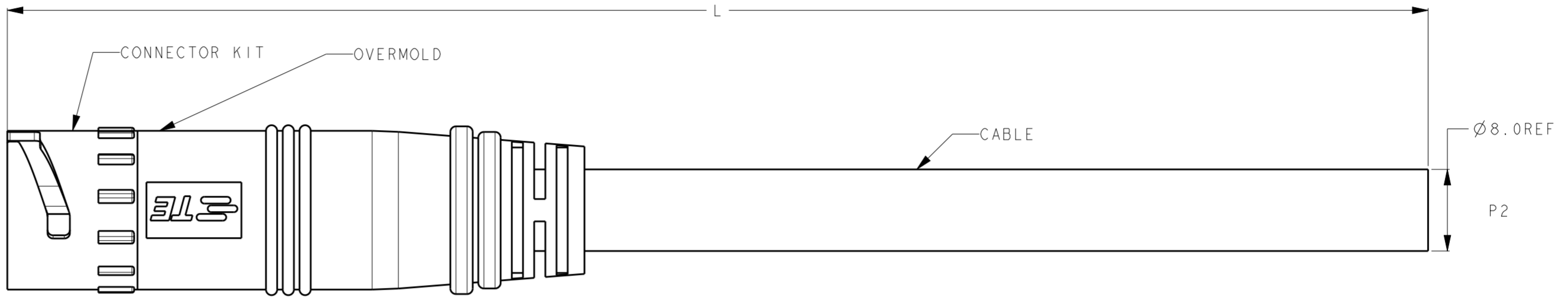
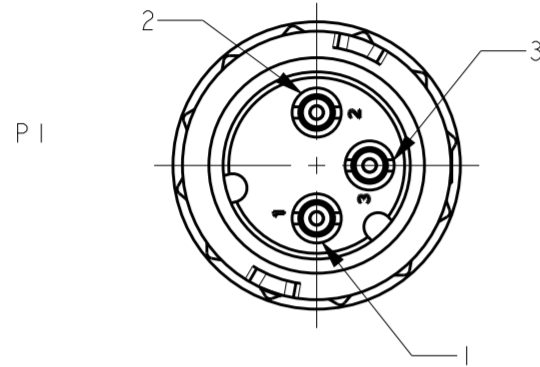


THIS DRAWING IS UNPUBLISHED. RELEASED FOR PUBLICATION 20
 © COPYRIGHT 20 BY - ALL RIGHTS RESERVED.

LOC		DIST		REVISIONS			
P	LTR	DESCRIPTION	DATE	DWN	APVD		
	A	RELEASE	02APR2015	M.S	X.X		
	AI	UPDATE TABLE	16APR2015	M.S	X.X		
	B	ECR-16-015004	25OCT2016	M.S	X.X		
	C	ECR-19-006815	17MAY2019	F.F	M.S		



MATE WITH 2834002 SERIES

WIRING DIAGRAM		
PI	WIRE COLOR	P2
PI-1	RED	-
PI-2	BLACK	-
PI-3	BROWN	-

NOTES:
 1. MATE WITH 2834002 SERIES.
 2. RATINGS:
 VOLTAGE: 300V AC/DC
 CURRENT: 6A MAX.
 TEMPERATURE: 80°C

P/N	CABLE	DIM A	L (mm)
9-2834003-1	RUBBER (THERMOPLASTIC ELASTOMER TYPE)	Ø8.0	150±5
9-2834003-2			250±10
9-2834003-3			500±15
9-2834003-4			1000±15

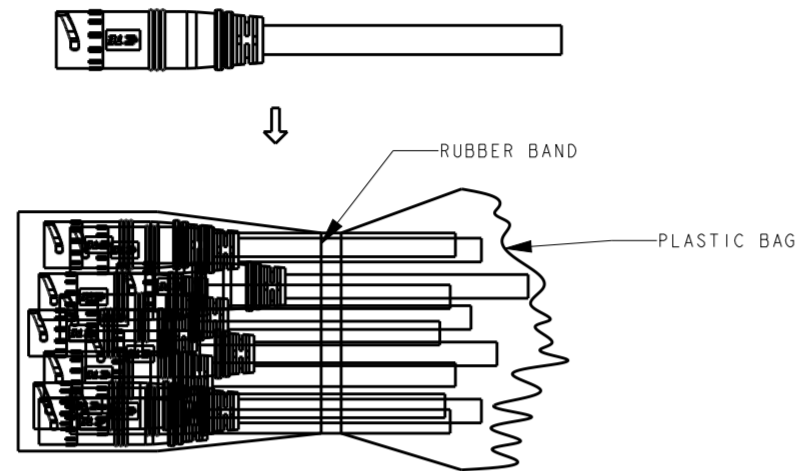
OBSOLETE

THIS DRAWING IS A CONTROLLED DOCUMENT.		DWN: FRANK FAN 17MAY2019	TE Connectivity	
		CHK: GEORGE FU 17MAY2019		
		APVD: MING SHI 17MAY2019	NAME: 3P FEMALE CABLE ASSEMBLY CIRCULAR LIGHTING SEALED CONN.	
DIMENSIONS: mm		PRODUCT SPEC: 108-173041		SIZE: A2
TOLERANCES UNLESS OTHERWISE SPECIFIED:		APPLICATION SPEC: 114-173041		CAGE CODE: -
0 PLC ±-		WEIGHT: -		DRAWING NO: C-2834003
1 PLC ±0.5		Customer Drawing		RESTRICTED TO: -
2 PLC ±0.5		SCALE: 1:2		SHEET 1 OF 2
3 PLC ±-				REV C
4 PLC ±-				
ANGLES ±-				
FINISH ±-				

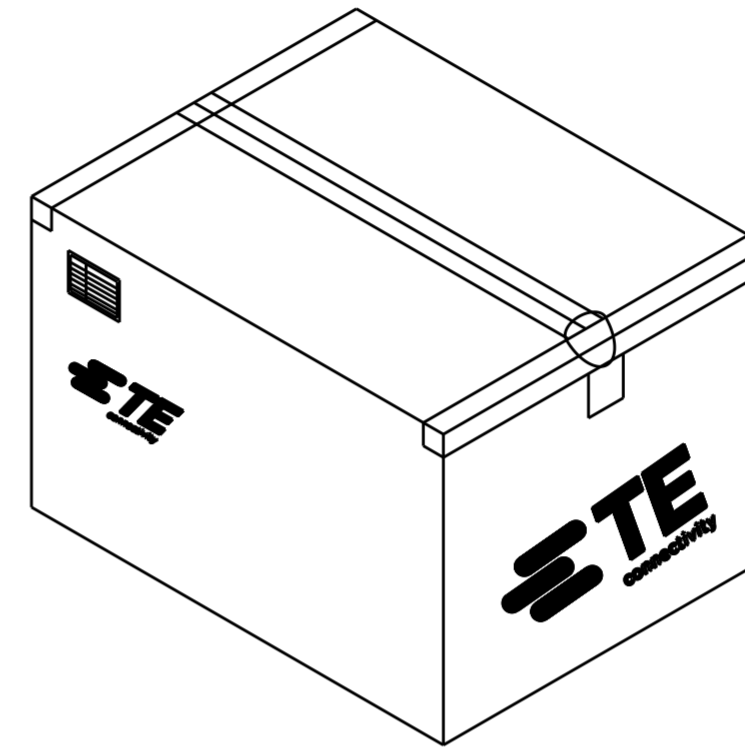
THIS DRAWING IS UNPUBLISHED. RELEASED FOR PUBLICATION 20
 © COPYRIGHT 20 BY - ALL RIGHTS RESERVED.

LOC	DIST	REVISIONS			
P	LTR	DESCRIPTION	DATE	DWN	APVD
-	-	SEE SHEET 1	-	-	-

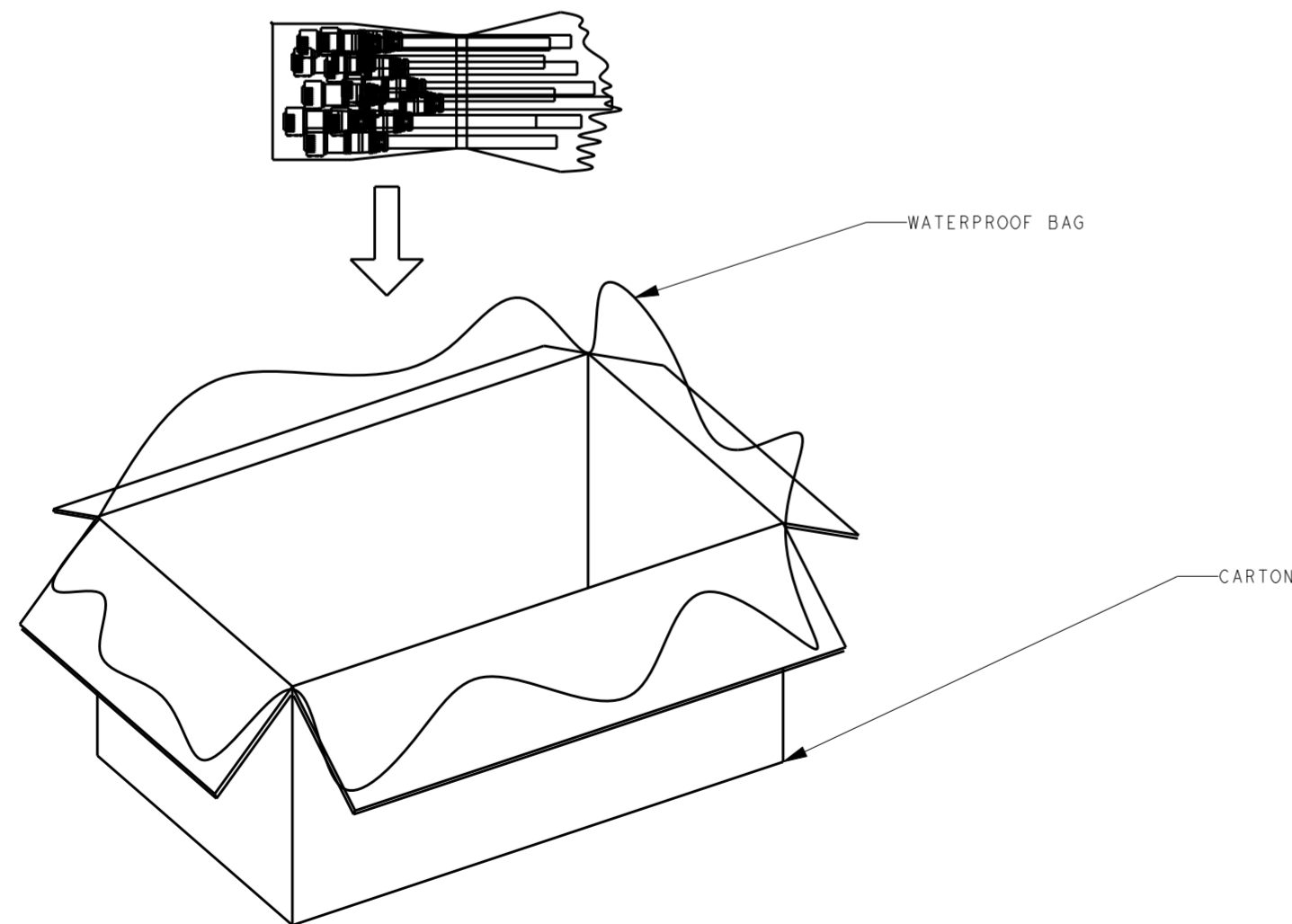
1. PUT PIECES OF PARTS INTO THE PLASTIC BAG, AND SEALED WITH RUBBER BAND AS 1 BUNCH.



3. SEAL THE CARTON.



2. PUT BUNCHES OF PARTS INTO CARTON.



4. PACKAGING QUANTITIES (REFER SHEET 1 FOR PN DEFINITION):

P/N	PARTS PER CARTON (PCS)
9-2834003-1	500
9-2834003-2	260
9-2834003-3	90
9-2834003-4	60

OBSOLETE

THIS DRAWING IS A CONTROLLED DOCUMENT.		DWN 17MAY2019 FRANK FAN	STE TE Connectivity	
DIMENSIONS: mm		CHK 17MAY2019 GEORGE FU		
TOLERANCES UNLESS OTHERWISE SPECIFIED:		APVD 17MAY2019 MING SHI	NAME 3P FEMALE CABLE ASSEMBLY CIRCULAR LIGHTING SEALED CONN.	
0 PLC ±		PRODUCT SPEC 108-173041	SIZE A2	
1 PLC ±0.5		APPLICATION SPEC 114-173041	CAGE CODE -	
2 PLC ±0.5		WEIGHT -	DRAWING NO C-2834003	
3 PLC ±		MATERIAL -	RESTRICTED TO -	
4 PLC ±		Customer Drawing	SCALE 1:2 SHEET 2 OF 2 REV C	
ANGLES ±				
FINISH ±				