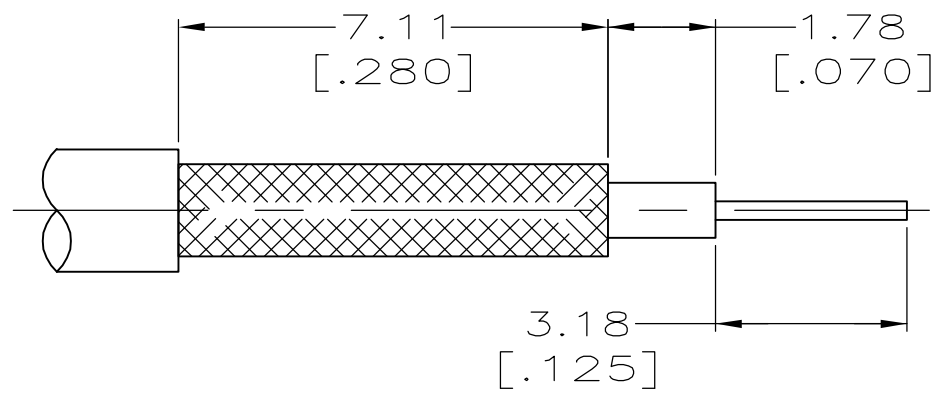


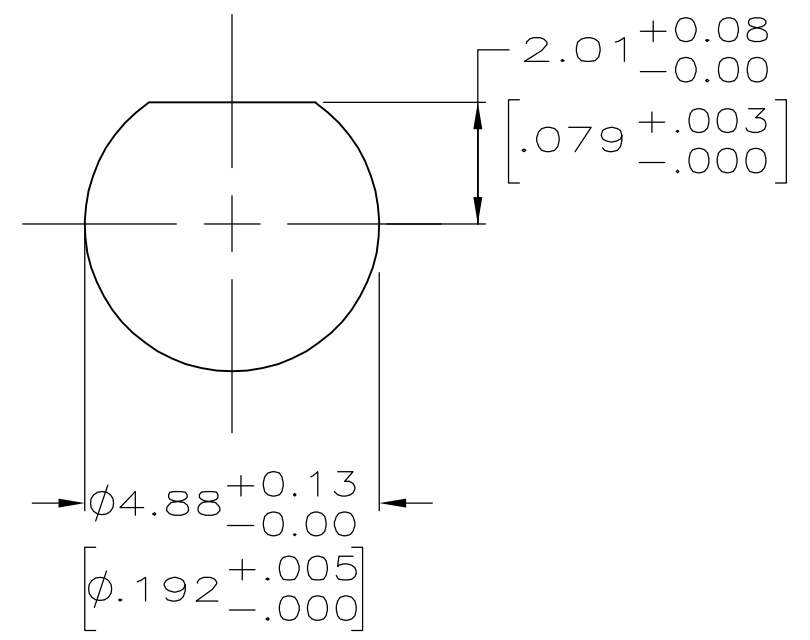
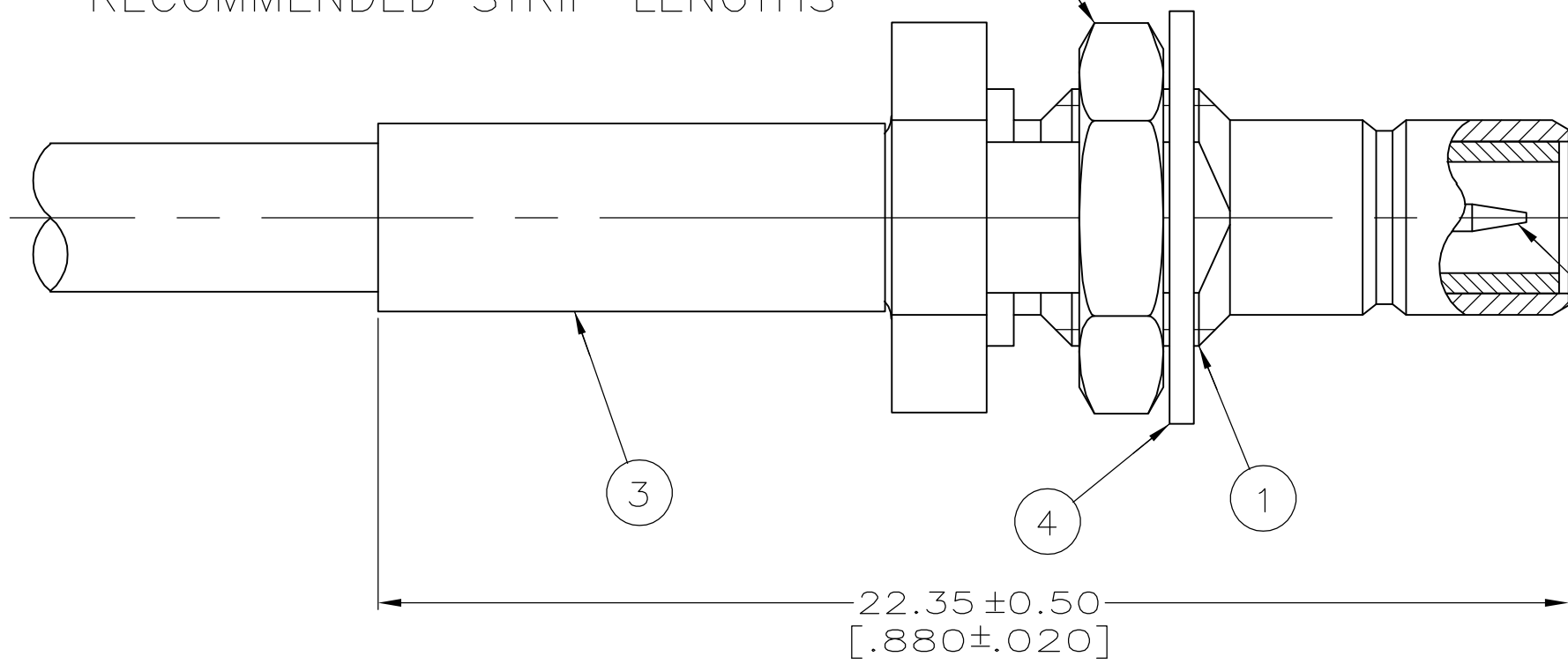
THIS DRAWING IS UNPUBLISHED. RELEASED FOR PUBLICATION  
 © COPYRIGHT BY TYCO ELECTRONICS CORPORATION. ALL RIGHTS RESERVED.

LOC	DIST	REVISIONS					
AJ	16	P	LTR	DESCRIPTION	DATE	DWN	APVD
			A	REVISED PER 0S14-0150-05	06OCT2005	REH	JGH



RECOMMENDED STRIP LENGTHS

1. PARTS PACKAGED UNASSEMBLED.
2. CONTACT CRIMP: CRIMP TOOL MIL-C-22520/5-01 WITH DANIELS POSITIONER K727; SET ON POSITION #2.
3. BRAID CRIMP: AMP HAND TOOL PART NUMBER 220190-1 WITH DIE SET PART NUMBER 58046-1, OR HAND TOOL MIL-C-22520/5-01 WITH DANIELS DIE SET NUMBER Y144.
4. BRAID CRIMP: AMP HAND TOOL PART NUMBER 220190-1 WITH DIE SET PART NUMBER 59969-2, OR HAND TOOL MIL-C-25520/5-01 WITH DANIELS DIE SET NUMBER Y196.



RECOMMENDED PANEL CUT-OUT

RD-316	2 4	414969-2	415001-2	1-413889-4	228225-2	9-415007-0	5415006-2
RG-188/U & -316/U	2 3	414969-2	415001-2	1-413889-3	228225-2	9-415007-0	5415006-1
CABLE	CRIMP TOOLING	5 JAM NUT QTY=1	4 LOCKWASHER QTY=1	3 FERRULE QTY=1	2 CONTACT QTY=1	1 JACK ASSY QTY=1	PART NUMBER

THIS DRAWING IS A CONTROLLED DOCUMENT.

DIMENSIONS: mm [INCHES]	TOLERANCES UNLESS OTHERWISE SPECIFIED:	DWN J. HAVENER 31MAR2005	 Tyco Electronics Corporation Harrisburg, PA 17105-3608
	0 PLC ± -	CHK J. HAVENER 31MAR2005	
	1 PLC ± -	APVD J. HAVENER 31MAR2005	
	2 PLC ± 0.25 [.010]	PRODUCT SPEC	
	3 PLC ± -	APPLICATION SPEC	NAME
	4 PLC ± -	WEIGHT	BULKHEAD JACK, SMB
	ANGLES ± -		SIZE
MATERIAL	FINISH	CUSTOMER DRAWING	CAGE CODE
		SCALE 8:1	DRAWING NO
		SHEET 1 OF 1	RESTRICTED TO
		REV A	