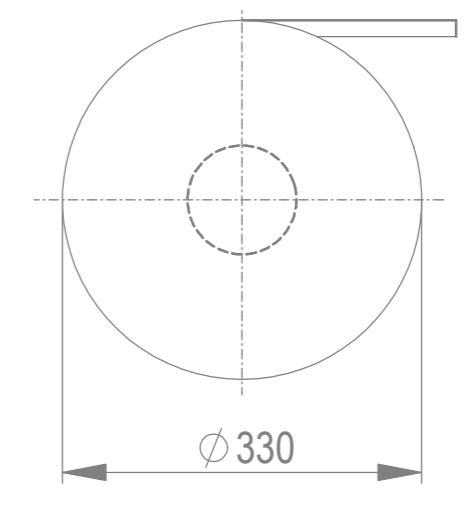
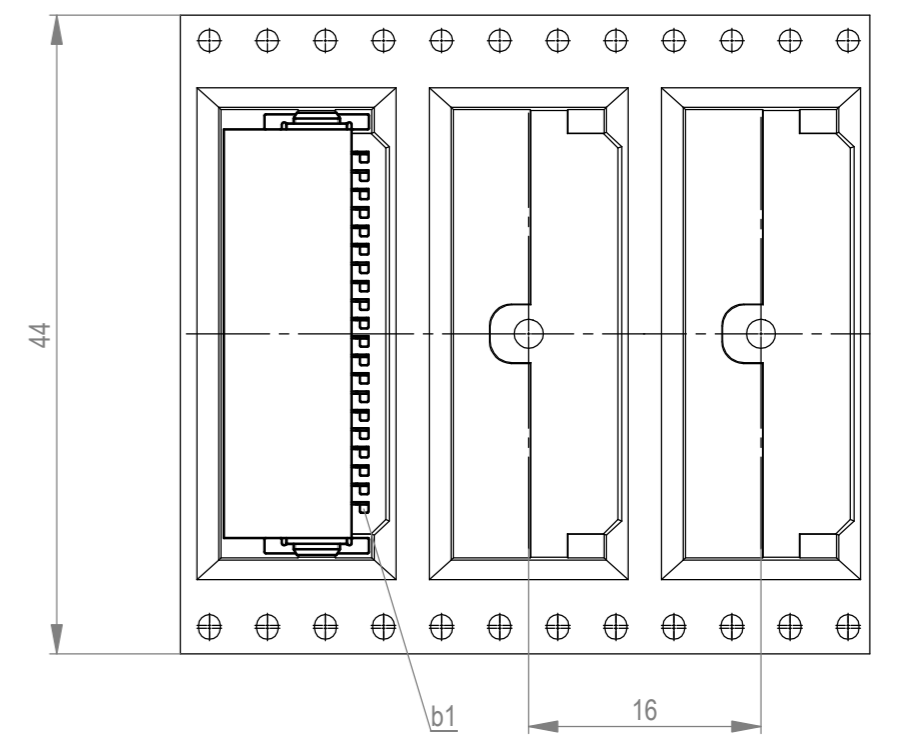


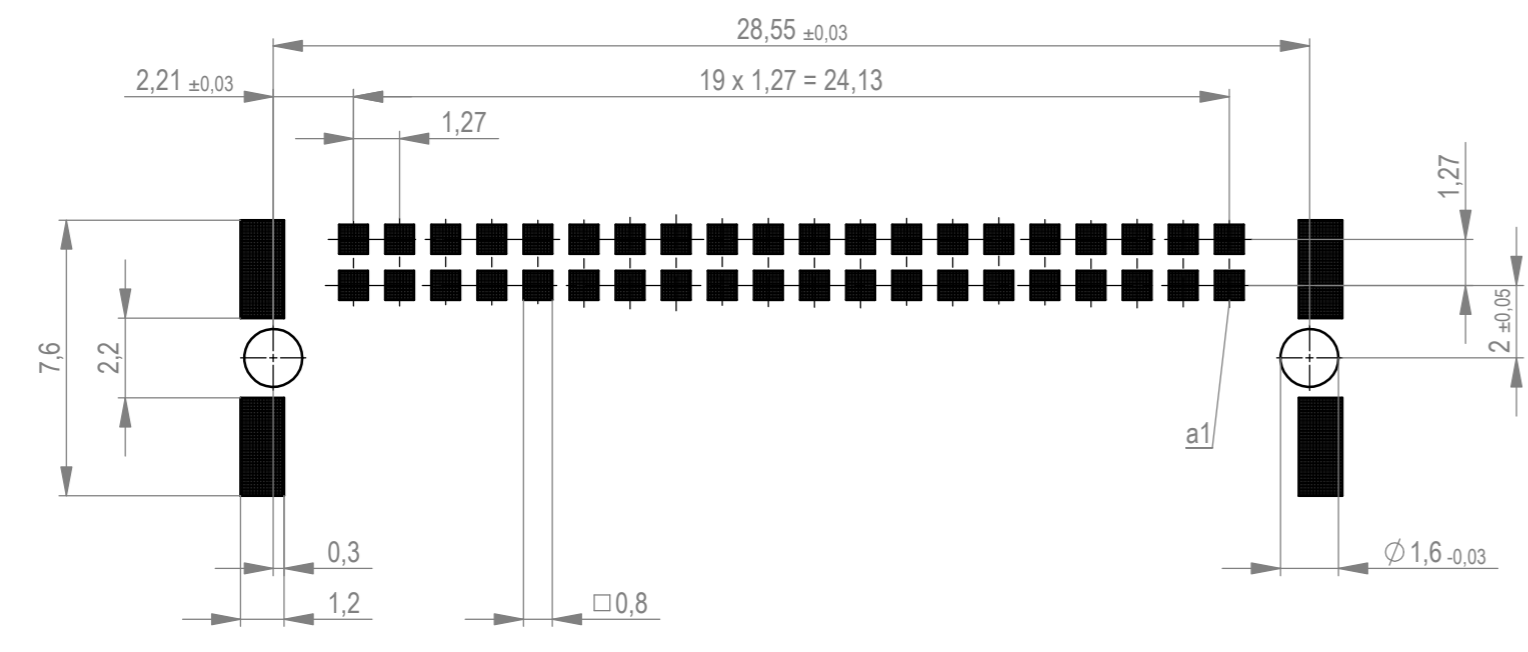
Verpackt im Gurt in Anlehnung an DIN IEC 60286-3
 tape on reel packaging according to DIN IEC 60286-3
 Verpackungseinheit: 560 Stück
 packaging unit: 560 pcs



Abspulrichtung - reel off direction →



Leiterplatten-Layout Vorschlag für SMT
 PCB-Layout Proposal for SMT



Anforderungsstufe 1
 performance level 1
 Kontaktbereich vergoldet
 mating area gold plating
 Anschlussbereich verzinkt 4-6 µm
 terminal area 4-6 µm tin plating
 Koplanarität der Anschlüsse ≤ 0,1 mm
 coplanarity area of termination ≤ 0,1 mm

BA7-03 - Standard Bauhöhe
 type7-03 - Standard Assembly Height

Dimension no.	Tolerances	Scale	5:1
	ISO 8015	Material	
Customer drawing:	Subject to modification without prior notice. Drawing will not be updated.		
All rights reserved. Only for information. To ensure that this is the latest version of this drawing, please contact one of the ERNI companies before using.	ERNI International AG Zürichstrasse 72 8306 Brüttisellen - Zürich Switzerland		Messerl. SMC-B 40-SMD-BA7-03 Male SMC-B 40-SMD-type7-03 354097 Class SMCB
d	18.02.2020		1
Index	Date		A2

Weitergabe oder Vervielfältigung dieses Dokuments, Verwertung und Mitteilung seines Inhalts sind
 untersagt, soweit nicht ausdrücklich anders angegeben ist.
 All rights reserved. No part of this document may be reproduced, stored in a retrieval system, or
 transmitted, in any form or by any means, electronic, mechanical, photocopying, recording, or by
 any information storage and retrieval system, without the prior written permission of ERNI.
 The permission to reproduce this drawing has been granted for convenience only
 in case of copy made for the English version of the drawing.