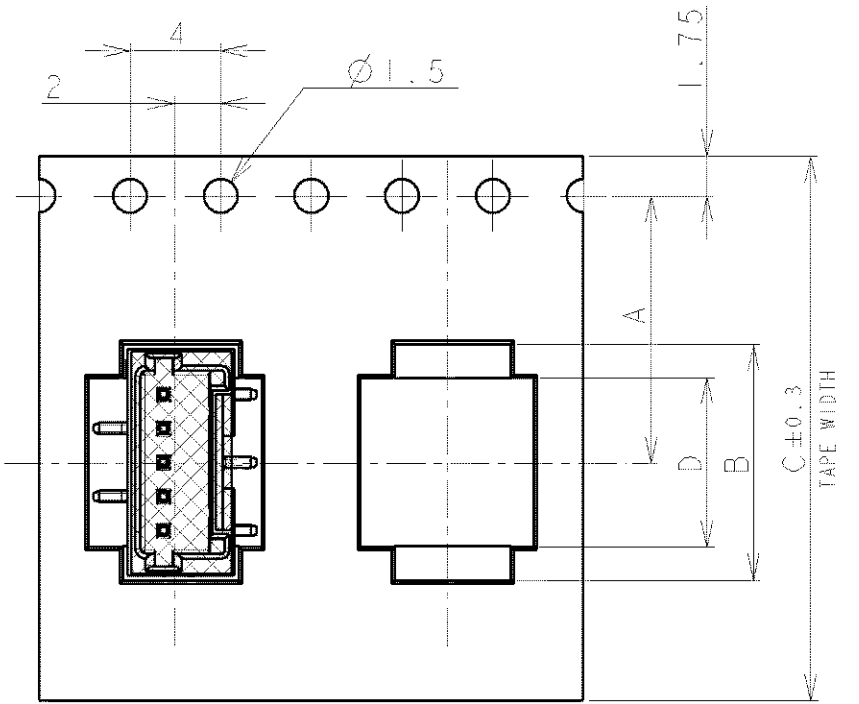


THIS DRAWING IS UNPUBLISHED.

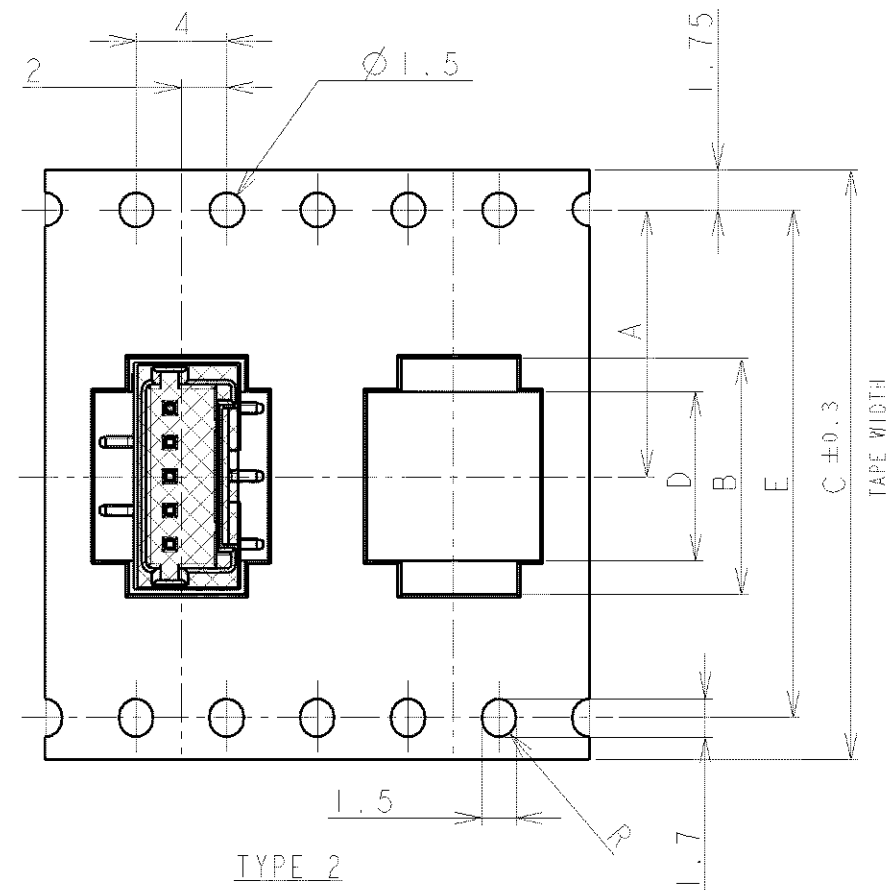
RELEASED FOR PUBLICATION

© COPYRIGHT BY ALL RIGHTS RESERVED

LOC	DIS1	REVISIONS			
P	LR	DESCRIPTION	DATE	DWN	APVD
FB	00				
	A2	REVISED PER	ECR-16-012124	07DEC16	T.Q W.H

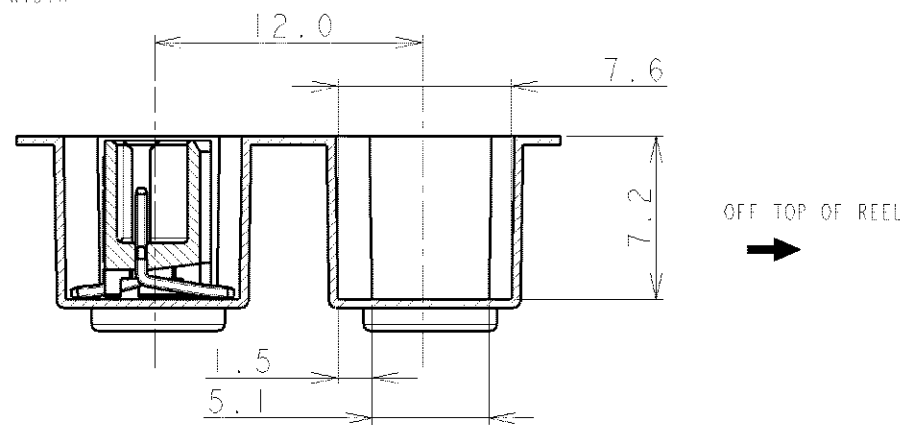
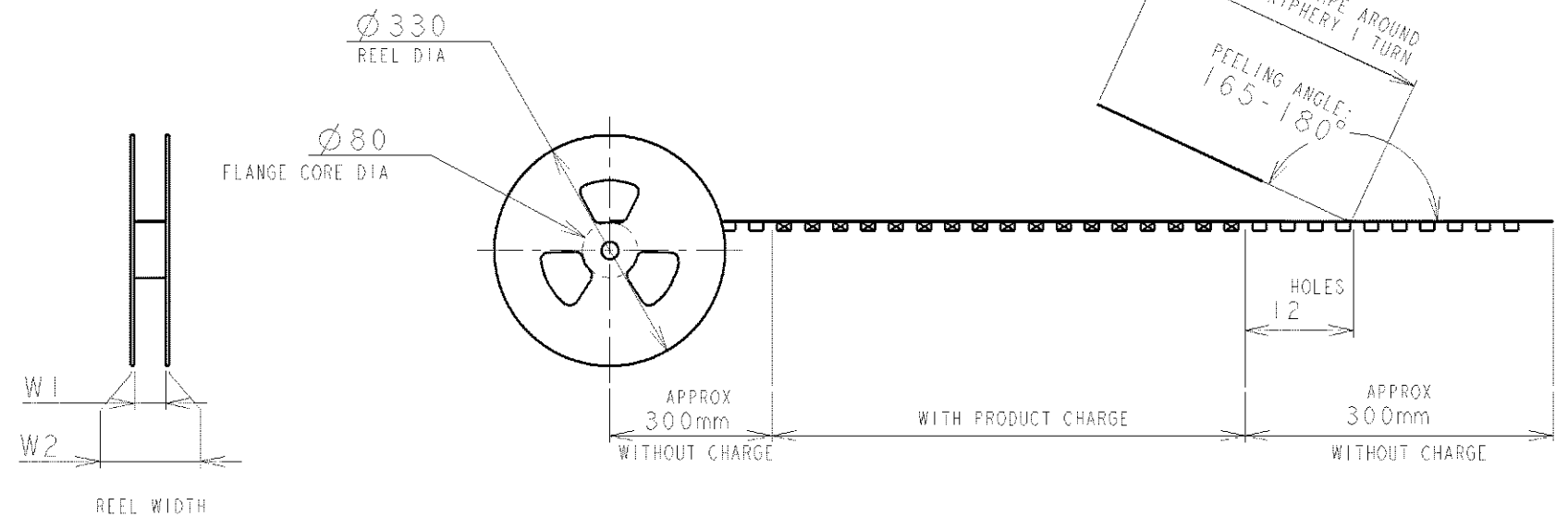
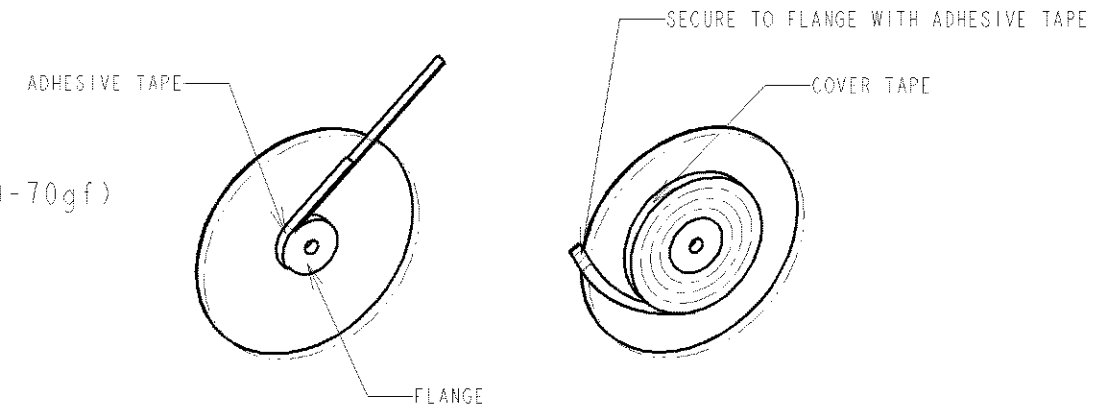


TYPE 1



TYPE 2

NOTE:  
 1. PEELING STRENGTH: 0.20-0.69N (20-70gf)  
 PEELING ANGLE: 165-180°  
 PEELING SPEED: 300mm/MINUTE.



TOLERANCES UNLESS OTHERWISE SPECIFIED:

- 10 > : ±0.2
- 30 > \* > 10 : ±0.25
- 100 > \* > 30 : ±0.3
- ANGLE : ±3°

DIMENSIONS: mm	TOLERANCES UNLESS OTHERWISE SPECIFIED: 0 PLC ± 1 PLC ± 2 PLC ± 3 PLC ± 4 PLC ± ANGLES ±	DWN	S. XU	31JAN03	<b>STE</b> TE Connectivity				
		CHK	S. YAO	31JAN03					
MATERIAL	FINISH	APVD	T. SASAKI	31JAN03	NAME				
		PRODUCT SPEC	108-60018	APPLICATION SPEC	114-5223	AMP Mini Common Terminated (CT) Connector 1.5mm PITCH SINGLE ROW POST HDR ASS'Y (V) SMT TYPE WITH BOSS, POLYIMIDE TAPE, EMBOSS TAPE PACKAGED			
CUSTOMER DRAWING		SIZE	A3	CAGE CODE	00779	DRAWING NO	C-292232	RESTRICTED TO	-
		SCALE	NON	SHEET	1	OF	4	REV	A2

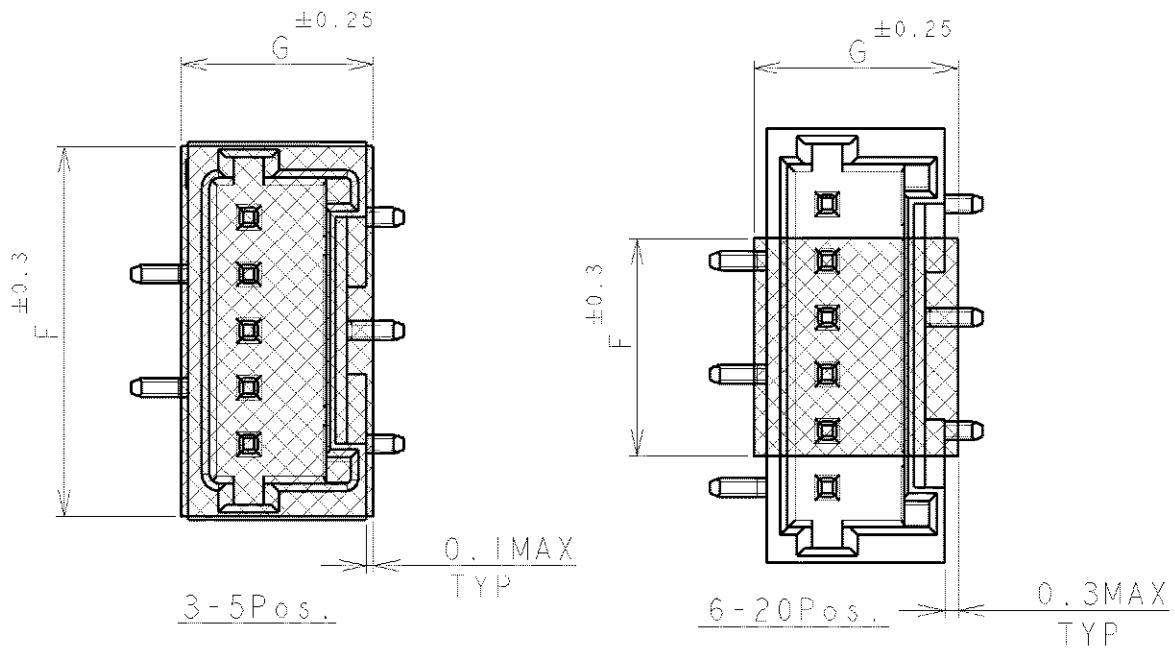
THIS DRAWING IS UNPUBLISHED.

ALL RIGHTS RESERVED.

BY

© COPYRIGHT

LOC FB	DIST 00	REVISIONS				DATE	DWN	APVD
		P	LTR	DESCRIPTION				
				SEE SHEET 1				



TAPE TYPE	DIMENSIONS								QTY/REEL	POS	COLOR	ON TAPE P/N	
	W2	W1	G	F	E	D	C	B					A
TYPE 2	49.5	45.5	5.0	9.5	40.4	29.9	44	32.9	20.2±0.15	500	20	2-292232-0	
	49.5	45.5	5.0	9.5	40.4	28.4	44	31.4		500	19	1-292232-9	
	49.5	45.5	5.0	9.5	40.4	26.9	44	29.9		500	18	1-292232-8	
	49.5	45.5	5.0	9.5	40.4	25.4	44	28.4		500	17	1-292232-7	
	49.5	45.5	5.0	9.5	40.4	23.9	44	26.9		500	16	1-292232-6	
	49.5	45.5	5.0	9.5	40.4	22.4	44	25.4		500	15	1-292232-5	
	49.5	45.5	5.0	9.5	40.4	20.9	44	23.9		500	14	1-292232-4	
	49.5	45.5	5.0	9.5	40.4	19.4	44	22.4		500	13	1-292232-3	
	37.5	33.5	5.0	9.5	28.4	17.9	32	20.9		14.2	500	12	1-292232-2
	37.5	33.5	5.0	9.5	28.4	16.4	32	19.4		14.2	500	11	1-292232-1
	37.5	33.5	5.0	9.5	28.4	14.9	32	17.9		14.2	500	10	1-292232-0
	37.5	33.5	5.0	6.5	28.4	13.4	32	16.4		14.2	500	9	292232-9
TYPE 1	29.5	25.5	5.0	6.5	-	11.9	24	14.9	11.5	500	8	292232-8	
	29.5	25.5	5.0	6.5	-	10.4	24	13.4	11.5	500	7	292232-7	
	29.5	25.5	5.0	6.5	-	8.9	24	11.9	11.5	500	6	292232-6	
	29.5	25.5	5.0	9.5	-	7.4	24	10.4	11.5	500	5	292232-5	
	21.5	17.5	5.0	8.0	-	5.9	16	8.9	7.5	500	4	292232-4	
	21.5	17.5	5.0	6.5	-	4.4	16	7.4	7.5	500	3	292232-3	

DIMENSIONS: mm

TOLERANCES UNLESS OTHERWISE SPECIFIED:

0 PLC ±

1 PLC ±

2 PLC ±

3 PLC ±

4 PLC ±

ANGLES ±

DWN

CHK

APVD

PRODUCT SPEC  
SEE SHEET 1

APPLICATION SPEC  
SEE SHEET 1

WEIGHT

CUSTOMER DRAWING

MATERIAL

FINISH

**TE** TE Connectivity

NAME AMP Mini Common Terminated (CT) Connector 1.5mm PITCH  
SINGLE ROW POST HDR ASS'Y (V) SMT TYPE  
WITH POLYIMIDE TAPE, WITH BOSS, EMBOSS TAPE PACKAGED

SIZE A4 CAGE CODE 00779 DRAWING NO. G-292232 RESTRICTED TO

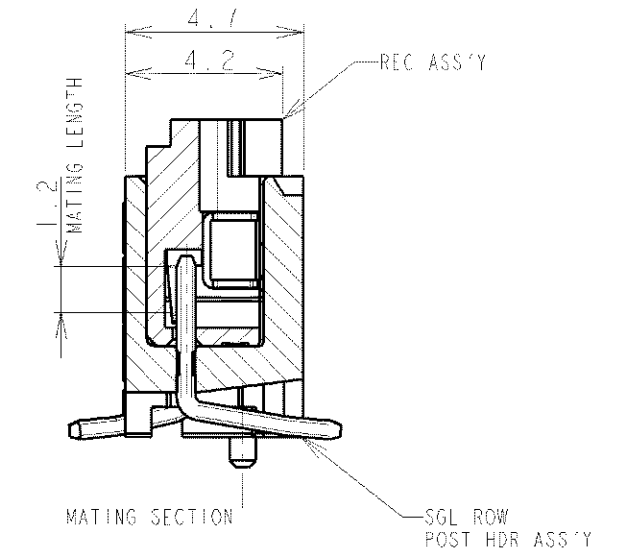
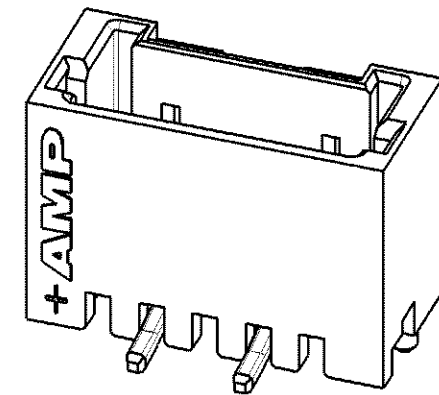
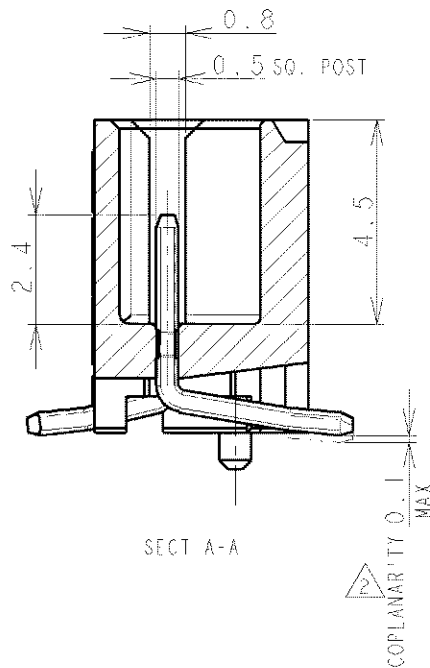
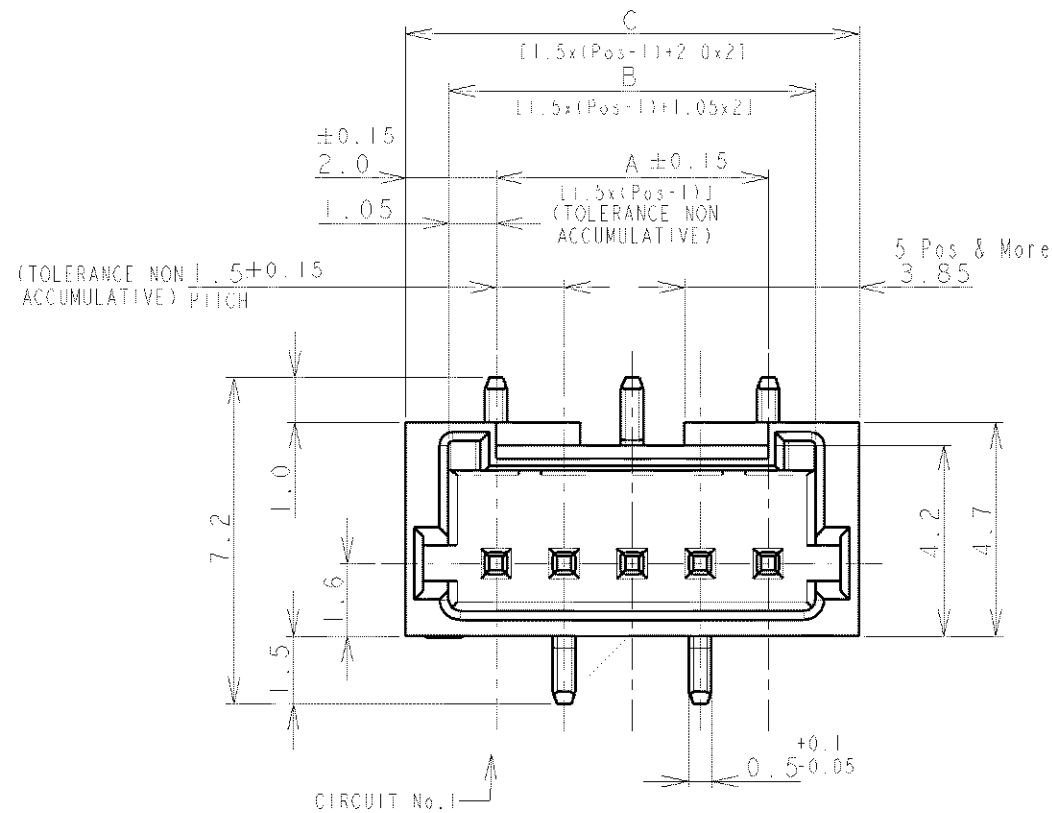
SCALE NON SHEET 2 OF 4 REV A2

THIS DRAWING IS UNPUBLISHED

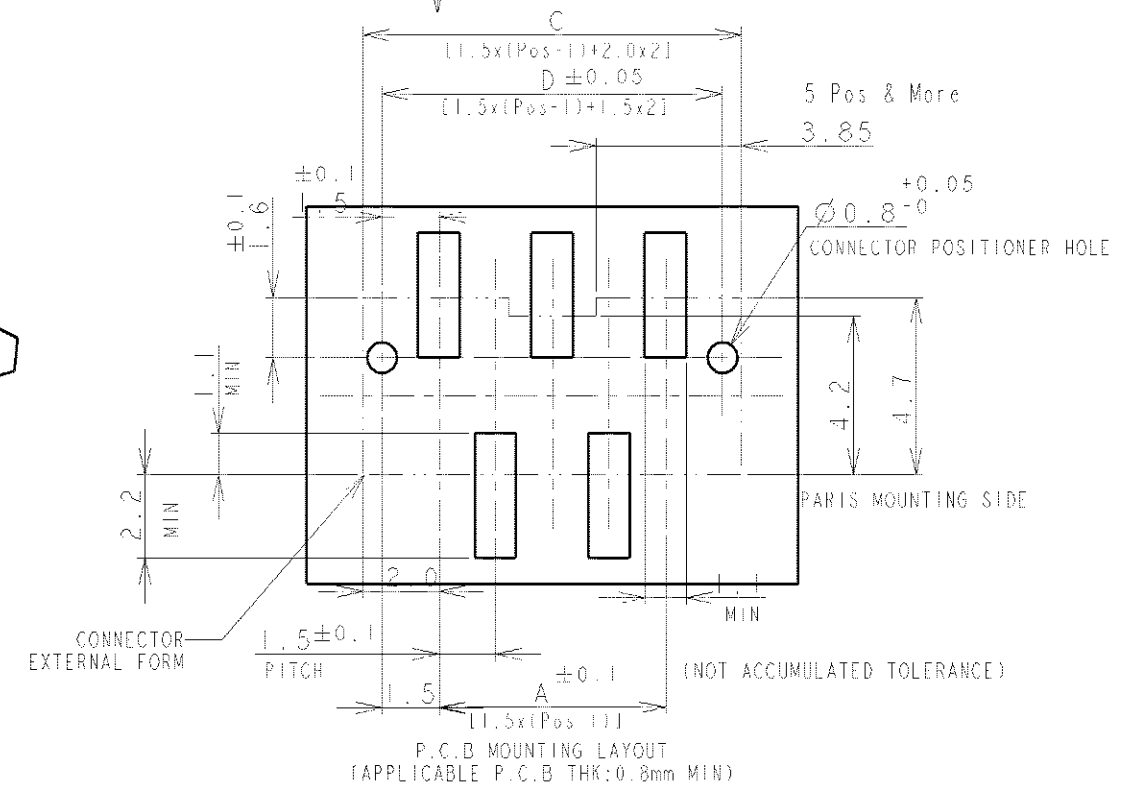
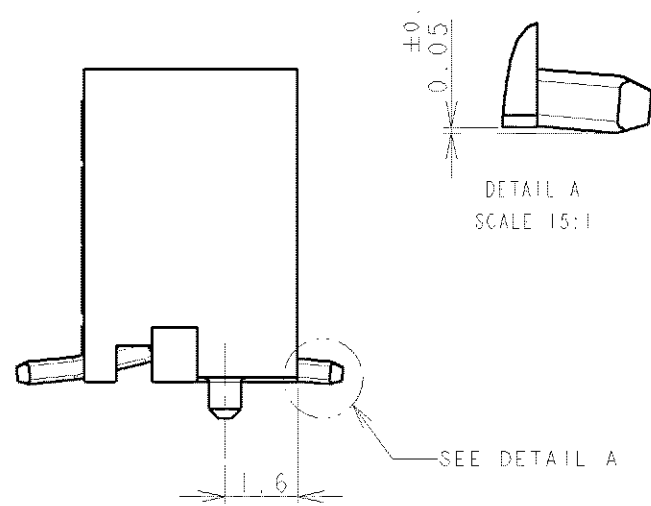
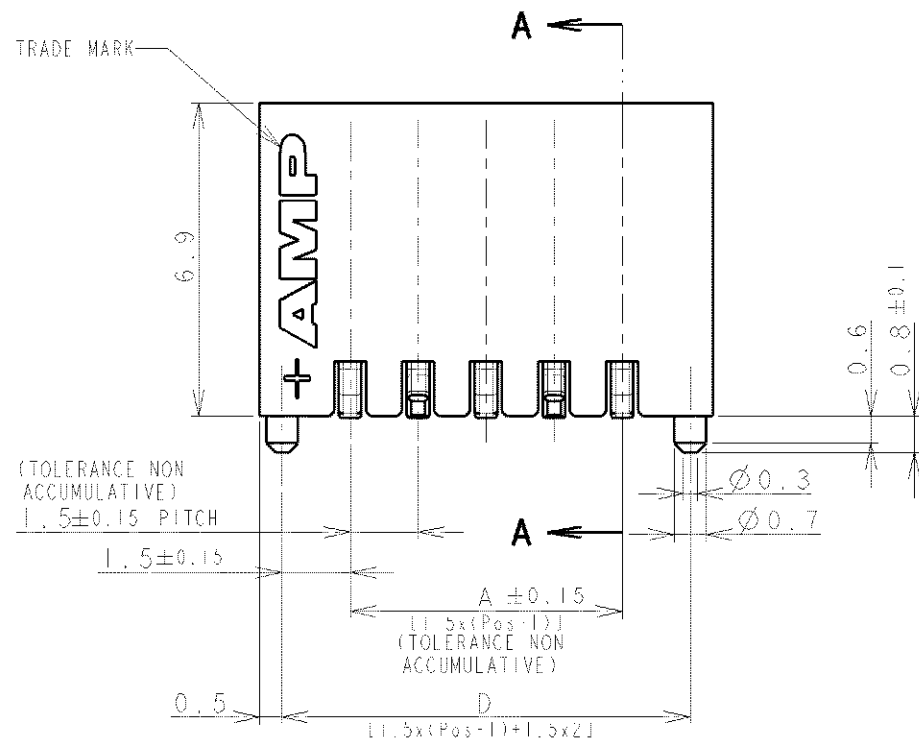
RELEASED FOR PUBLICATION

© COPYRIGHT BY ALL RIGHTS RESERVED.

LOC	DIST	REVISIONS			
P	LTR	DESCRIPTION	DATE	DWN	APVD
FB	00	SEE SHEET 1			



CIRCUIT No. 1



SHOWN AS WIHTOUT TAPE

NOTES:  
 1. MATERIAL:  
 HOUSING: GLASS FILLED, HIGH HEAT RESISTANT NYLON, UL94V-0, COLOR: BEIGE OR BLACK  
 POST: Sn-100% BRASS WIRE  
 TO BE MEASURED WITH CONNECTOR PLACED ON HORIZONTAL DATUM SURFACE,  
 FLOAT OF SOLDER TINE FROM DATUM SURFACE IS 0.1mm MAX.

DWN		<b>STE</b> TE Connectivity	
CHK			
APVD		NAME	
PRODUCT SPEC		AMP MINI COMMON TERMINATION (CT) CONNECTOR 1.5 mm PITCH SINGLE ROW POST HDR ASS'Y (V) SMT TYPE WITH BOSS	
APPLICATION SPEC		RESTRICTED TO	
WEIGHT		SIZE	CAGE CODE
MATERIAL		DRAWING NO	
SEE NOTE 1		A3 00779 C-292232	
FINISH		CUSTOMER DRAWING	
SEE NOTE 1		SCALE	SHEET
		NON	3 OF 4
		REV A2	

RELEASED FOR PUBLICATION

THIS DRAWING IS UNPUBLISHED.


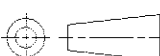
ALL RIGHTS RESERVED.

BY

© COPYRIGHT

LOC	DIST	REVISIONS					
FB	00	P	LTR	DESCRIPTION	DATE	DWN	APVD
				SEE SHEET 1	-	-	-

0.98	31.5	32.5	30.6	28.5	20	2-292232-0
0.93	30.0	31.0	29.1	27.0	19	1-292232-9
0.89	28.5	29.5	27.6	25.5	18	1-292232-8
0.84	27.0	28.0	26.1	24.0	17	1-292232-7
0.80	25.5	26.5	24.6	22.5	16	1-292232-6
0.75	24.0	25.0	23.1	21.0	15	1-292232-5
0.71	22.5	23.5	21.6	19.5	14	1-292232-4
0.66	21.0	22.0	20.1	18.0	13	1-292232-3
0.62	19.5	20.5	18.6	16.5	12	1-292232-2
0.57	18.0	19.0	17.1	15.0	11	1-292232-1
0.52	16.5	17.5	15.6	13.5	10	1-292232-0
0.48	15.0	16.0	14.1	12.0	9	292232-9
0.43	13.5	14.5	12.6	10.5	8	292232-8
0.39	12.0	13.0	11.1	9.0	7	292232-7
0.34	10.5	11.5	9.6	7.5	6	292232-6
0.30	9.0	10.0	8.1	6.0	5	292232-5
0.25	7.5	8.5	6.6	4.5	4	292232-4
0.20	6.0	7.0	5.1	3.0	3	292232-3
WEIGHT (g)	D	C	B	A	Pos.	BEIGE (NAT)
	DIMENSIONS					P/N

DIMENSIONS: mm	DWN	MATERIAL SEE SHEET 1	FINISH SEE SHEET 1
TOLERANCES UNLESS OTHERWISE SPECIFIED:	CHK	 <b>TE Connectivity</b>	
0 PLC ±	APVD		
1 PLC ±	PRODUCT SPEC	NAME AMP MINI COMMON TERMINATED (CT) CONNECTOR 1.5 mm PITCH SINGLE ROW POST HDR ASS'Y (V) SMT TYPE WITH BOSS	
2 PLC ±	APPLICATION SPEC	SIZE	RESTRICTED TO
3 PLC ±	WEIGHT	CAGE CODE	DRAWING NO
4 PLC ±		A4	00779
ANGLES ±			©=292232
	CUSTOMER DRAWING	SCALE	SHEET
		NON	4 OF 4
			REV A2