

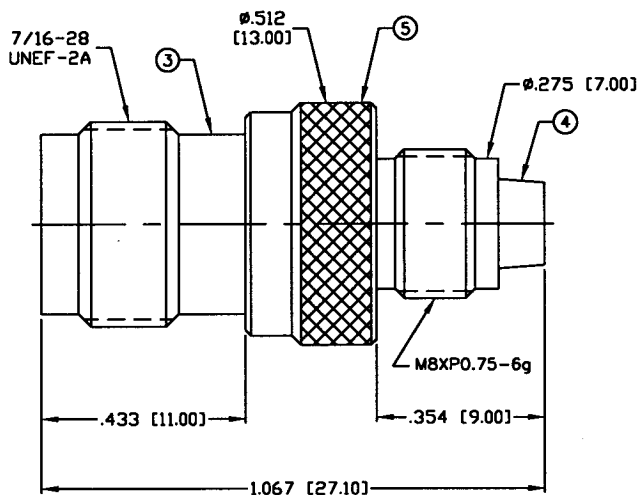
THIS DRAWING CONTAINS INFORMATION PROPRIETARY TO RF INDUSTRIES.
 ANY UNAUTHORIZED USE OF THIS DRAWING IS EXPRESSLY PROHIBITED
 WITHOUT WRITTEN PERMISSION FROM RF INDUSTRIES.
 ANY VIOLATION IS PUNISHABLE UNDER U.S. COPYRIGHT LAWS.

ALL DIMENSIONS ARE REFERENCE ONLY

PART NO.

RFT-1240

REV	DESCRIPTION	DWN	DATE	APPROVED
A	ENGINEERING RELEASE	CJ	1/24/92	J. BENZ
B	GENERAL UPDATE	KMM	9/21/93	K.HARTMANN
C	ADD SECTION VIEWS / DIMENSIONS	KMM	12/8/93	C. JONES
D	CHANGE SPECS, DWG # E7269C & REMOVE P/N FROM CONN.	GGG	5/13/02	JDMc



SPECIFICATIONS:

IMPEDANCE: 50 Ohms
 FREQUENCY RANGE: 0-1 GHz
 WORKING VOLTAGE: 250 VRMS
 INSULATION RESISTANCE: 5k M ohms min.
 TEMPERATURE RANGE: -65°C TO 85°C

1	CONTACT	1	PHOS BRONZE	GOLD, 3μ*
2	INSULATOR	1	PTFE	----
3	TNC BODY	1	BRASS	NICKEL, 100μ*
4	INSULATOR	1	PTFE	----
5	BODY	1	BRASS	NICKEL, 100μ*
6				
7				
8				
9				
10				
11				
12				
13				
14				
#	DESCRIPTION	QTY	MATRL	FINISH

008974	
DRAWN	
G. GALLEGOS	5/13/02
CHECKED	<i>[Signature]</i> 5-13-02
ORJ DRAWN	
C. JONES	1/24/92
APPROVALS	DATE

UNLESS OTHERWISE SPECIFIED:

- REMOVE ALL BURRS
- BREAK ALL CORNERS & EDGES .005 R. MAX.
- CHAMFER 1ST & LAST THREADS 45°
- SURFACE ROUGHNESS 63 FINISH MIL-STD-10
- DIAMETERS ON COMMON CENTERS TO BE CONCENTRIC WITHIN .002 T.I.R.
- ALL DIMENSIONS ARE AFTER PLATING.

DIMENSIONS ARE IN INCHES AND [MILLIMETERS]
 UNLESS OTHERWISE NOTED TOLERANCES ARE:

DECIMALS	DIAMETER
.xxx±.003 [.08]	.xxx±.001 [.03]
.xx±.005 [.13]	.xx±.003 [.08]

RF connectors
 DIVISION OF RF INDUSTRIES, LTD.

7610 MIRAMAR RD
 SAN DIEGO, CA 92126
 (858) 549-6340
 (858) 549-6345 FAX

TNC JACK TO FME JACK
 (EURO NIPPLE), ADAPTOR

SIZE	CABLE GROUP	DWG NO.	REV
A	N/A	RFT-1240	D
SCALE:	NTS	CAD FILE	OUTLINE
			SHEET 1 OF 1