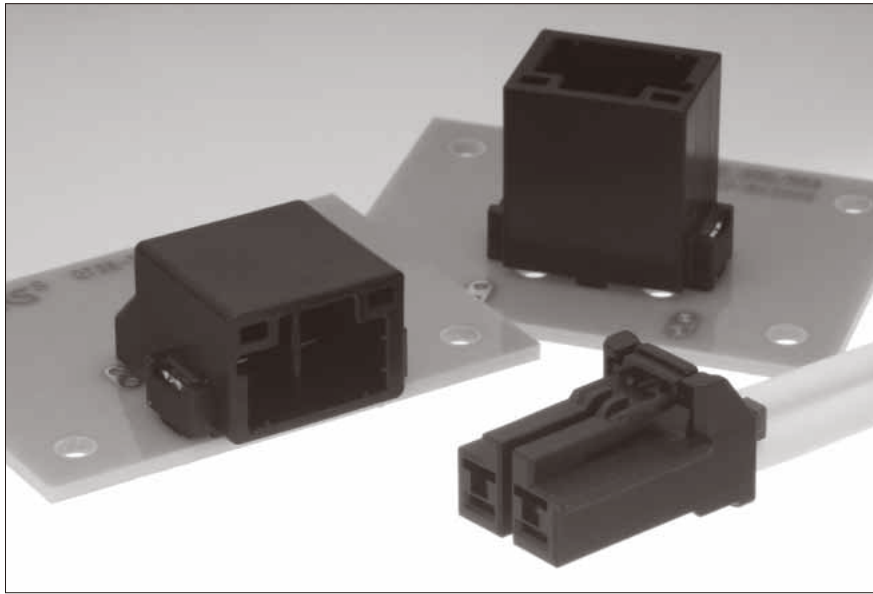


# GT28 Series

— 30A medium current connector —



## ■ Features

- The terminals with three contact points can reduce contact resistance and stabilize high current connection.
- The finger protection rib prevents electric shock.
- The lock-pin type can be fixed to the PCB temporarily before soldering.

## ■ Applications

Battery, Inverter etc for EV/HEV.

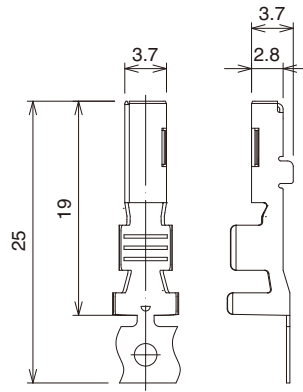
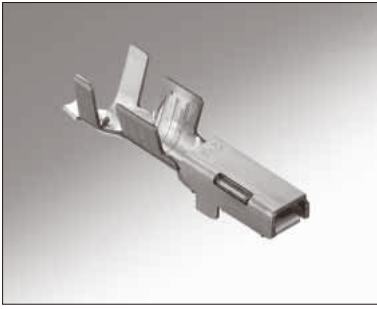
## ■ Product Specifications

Rated current	Insulation resistance	Withstand voltage	Contact resistance	Operating temperature range
30A (Note 1)	Higher than 100MΩ	AC2000V one minute	Initially lower than 3mΩ	-40°C to +125°C (Note 2)

Note 1 : Please consult with us for use at other current values.

Note 2 : The range includes rise of temperature when the current is applied.

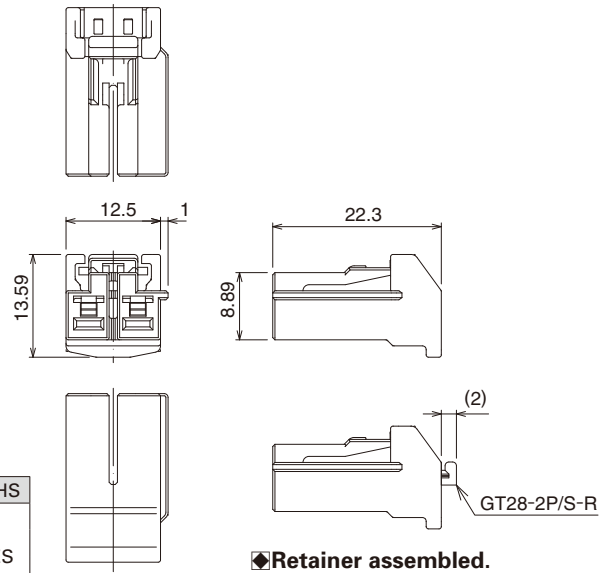
## F terminal



Part No.	HRS No.	Material	Finish	Conductor Size (AWG)	Outer Diameter	Packaging	RoHS
GT28-1214SCF	778-0001-2	Copper alloy	Tin plating	12 to 14 AWG	φ 3.5 to 4.3	1,700 pcs/reel	YES
GT28A-2022SCF	778-0006-6			20 to 22 AWG	φ 2.95 to 4.0		

## F connector

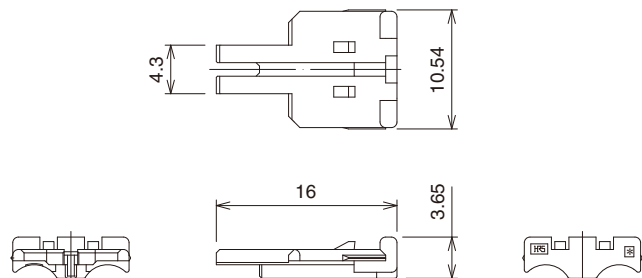
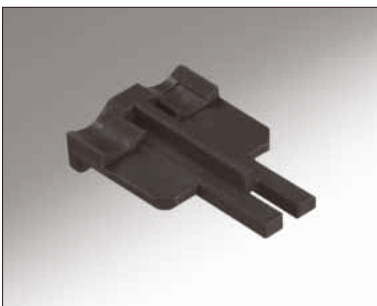
### ● Housing



Part No.	HRS No.	Color	Material	Packaging	RoHS
GT28-2S-HU	778-0002-5	Black	PBT	1	YES
GT28-2S-HU(20)	778-0002-5 20	Red			
GT28-2S-HU(21)	778-0002-5 21	Natural			
GT28-2S-HU(22)	778-0002-5 22	Light Gray			

Note 1 : The retainer GT28-2P/S-R(778-0003-8) is needed.

### ● Retainer



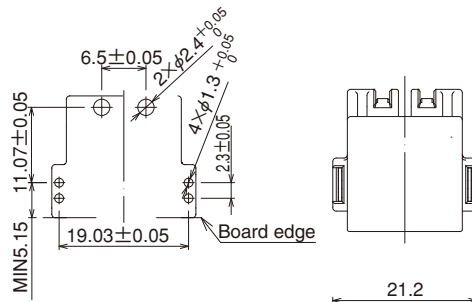
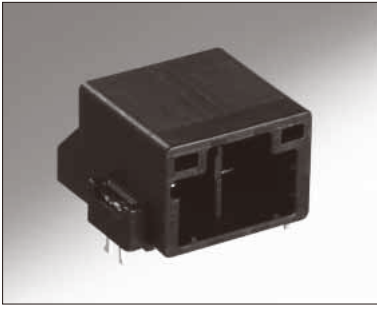
Part No.	HRS No.	Color	Material	Packaging	RoHS
GT28-2P/S-R	778-0003-8	Dark Gray	PBT	1	YES

- GT5
- GT13
- GT16
- PO5G
- GT19
- GT21
- GT26
- GT36
- GT11
- GT17
- GT32
- GT3
- GT 7
- GT10
- GT18W
- GT25
- GT28**
- GT8E
- GT9
- GT23F
- GT15

## M connector

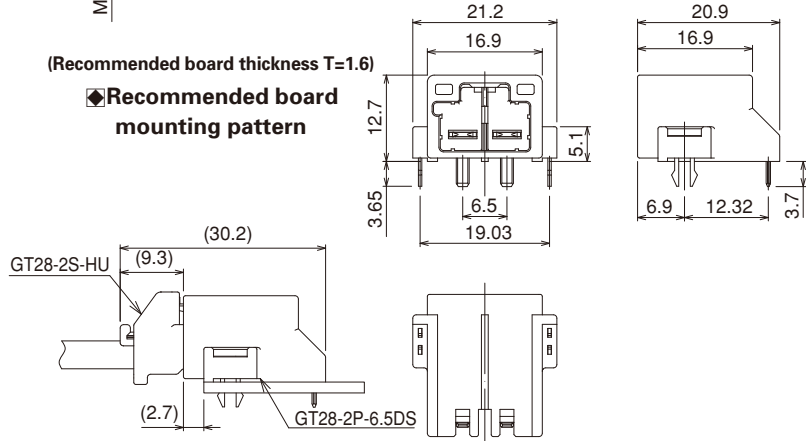
### Right-angle type

#### ● Board type (lock-pin type)



(Recommended board thickness T=1.6)

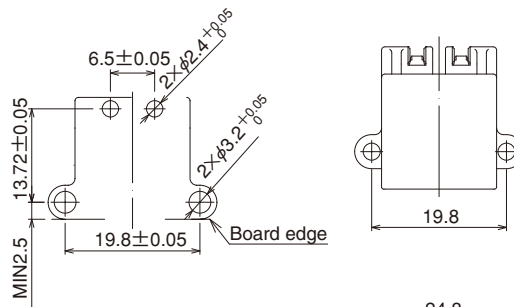
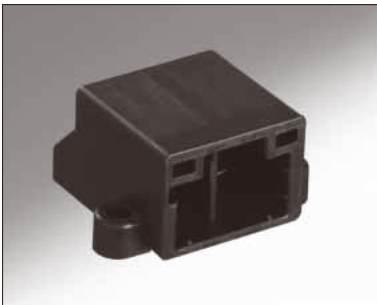
#### ◆ Recommended board mounting pattern



#### ◆ Fully mated

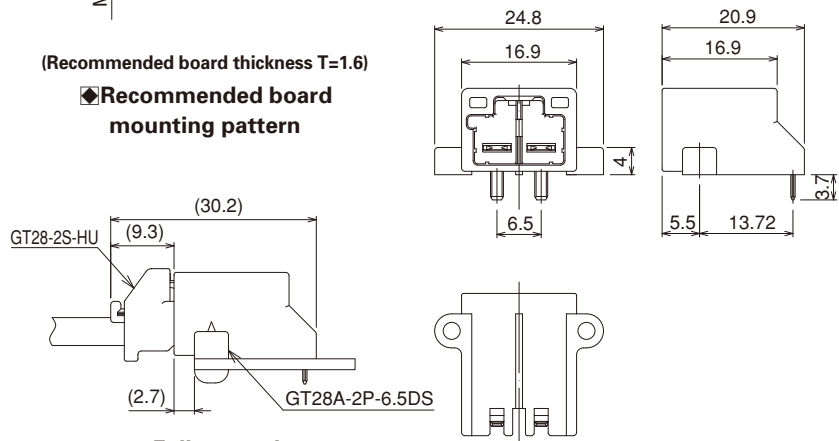
Part No.	HRS No.	Color	Material/Finish	Packaging	RoHS
GT28-2P-6.5DS	778-0005-3	Black	Housing : PA Terminal : Copper alloy/Tin plating Lock pin : Phosphor bronze/Tin plating	1	YES
GT28-2P-6.5DS(20)	778-0005-3 20	Red			
GT28-2P-6.5DS(21)	778-0005-3 21	Natural			
GT28-2P-6.5DS(22)	778-0005-3 22	Light Gray			

#### ● Board type (screw mounting type)



(Recommended board thickness T=1.6)

#### ◆ Recommended board mounting pattern



#### ◆ Fully mated

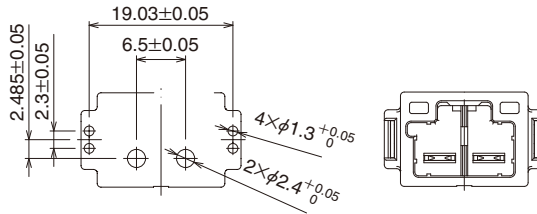
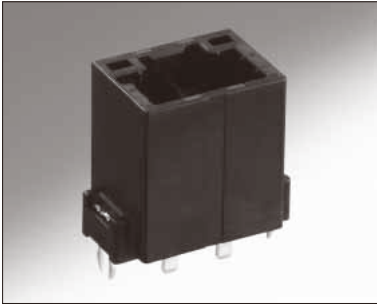
Part No.	HRS No.	Color	Material/Finish	Packaging	RoHS
GT28A-2P-6.5DS	778-0007-9	Black	Housing : PA Terminal : Copper alloy/Tin plating	1	YES

Note 1 : Use JIS B1115 or 1122 type 1, type 2 or type 4 nominal diameter 3mm, length 6mm screws for mounting.

## M connector

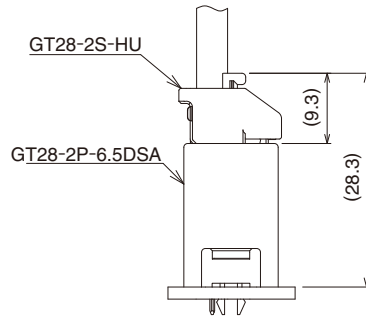
### Straight type

#### ● Board type (lock-pin type)

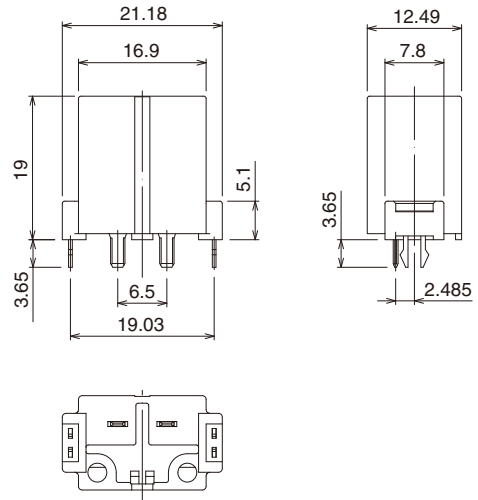


(Recommended board thickness T=1.6)

#### ◆ Recommended board mounting pattern



#### ◆ Fully mated

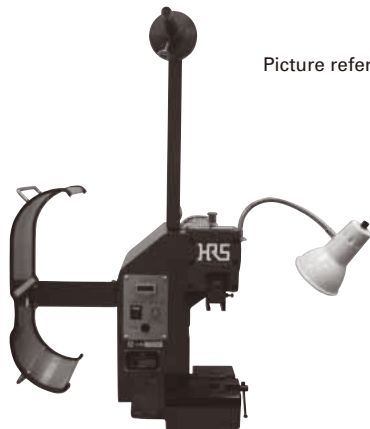


Part No.	HRS No.	Color	Material/Finish	Packaging	RoHS
GT28-2P-6.5DSA	778-0004-0	Black	Housing : PA Terminal : Copper alloy/Tin plating Lock pin : Phosphor bronze/Tin plating	1	YES

## ◆ Crimping tools

User's manuals are available. Please ask your Hirose Electric account representative.

### Automatic crimping machine



Picture reference only

### Specifications

Item	Specification	Remarks
Press capacity	1.5tons	
Stroke length	30mm	
Number of strokes	200spm(50Hz)	200spm(60Hz)
Weight	75kg	
Motor	0.2kw	AC100V
Crimping speed	2000 to 4000pcs/hour	

Part No. CM-105C

\* Crimp height setting tables are available for each cable type. Please contact your nearest Hirose Electric account representative.  
Different cables will require different crimp height settings.

Terminal Product No.	Terminal HRS No.	Tool Part No.	Tool HRS No.
GT28-1214SCF	778-0001-2	AP105-GT28-1214S	901-5196-1
GT28A-2022SCF	778-0006-6	AP105-GT28A-2022S	901-5204-8