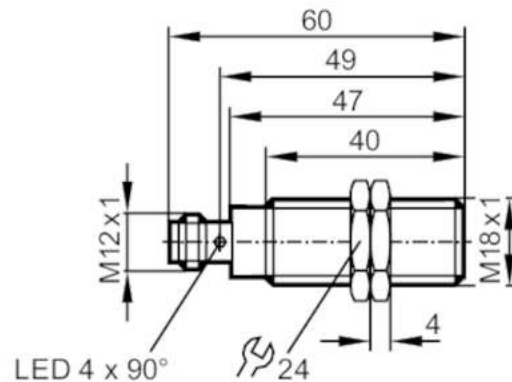


OGS300



Through-beam sensor transmitter

OGS-00KG/US100



Product characteristics

Type of light	red light
Housing	threaded type

Application

Function principle	Through-beam sensor
--------------------	---------------------

Electrical data

Operating voltage [V]	10...36 DC
Current consumption [mA]	15
Protection class	II
Reverse polarity protection	yes
Type of light	red light
Wave length [nm]	624

Detection zone

Transmitter / receiver	transmitter
Range [m]	< 20
Range adjustable	no
Max. light spot diameter [mm]	800
Light spot dimensions refer to	at maximum range

Operating conditions

Ambient temperature [°C]	-25...80
Protection	IP 65; IP 67; IP 68; IP 69K

Tests / approvals

EMC	EN 60947-5-2
MTTF [years]	755

Mechanical data

Weight [g]	59.4
Housing	threaded type
Dimensions [mm]	M18 x 1 / L = 60
Thread designation	M18 x 1

OGS300



Through-beam sensor transmitter

OGS-00KG/US100

Materials	housing: stainless steel (1.4404 / 316L); Sealing: EPDM
-----------	---

Lens material	PMMA
---------------	------

Displays / operating elements

Display	operation	1 x LED, green
---------	-----------	----------------

Accessories

Items supplied	lock nuts: 2 x
----------------	----------------

Remarks

Remarks	operating voltage "supply class 2" according to cULus
---------	---

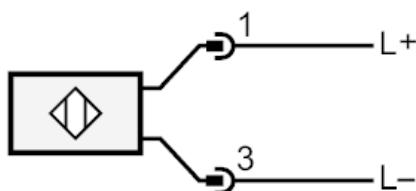
Pack quantity	1 pcs.
---------------	--------

Electrical connection

Connector: 1 x M12; coding: A



Connection





Through-beam sensor transmitter

OGS-00KG/US100

Diagrams and graphs

excess gain graph

