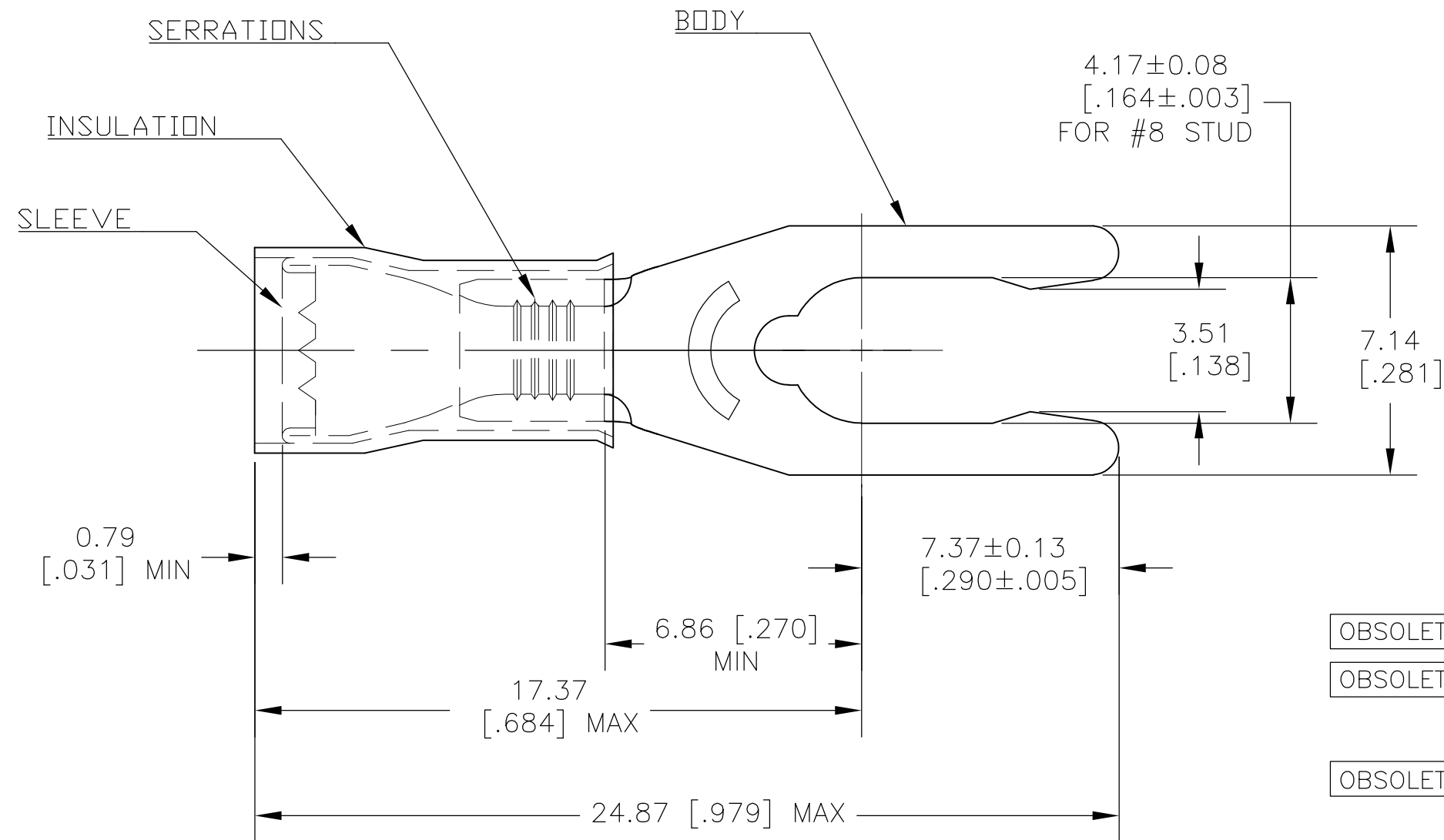


THIS DRAWING IS UNPUBLISHED. RELEASED FOR PUBLICATION  
 © COPYRIGHT - By - ALL RIGHTS RESERVED.

LOC	DIST	REVISIONS					
		P	LTR	DESCRIPTION	DATE	DWN	APVD
G	14		H2	REVISED PER ECO-11-004820	11MAR11	RK	HMR

- 1 WIRE INSULATION DIA, SEE TABLE "A"
- 2 TONGUE MATL THK, 0.789±0.05 [.031±.002].
- 3 BODY: PHOS BRONZE PER ASTM B103  
INSULATION: NYLON  
SLEEVE: COPPER PER ASTM B152
- 4 BODY: TIN PLATE PER ASTM B545  
SLEEVE: TIN PLATE PER ASTM B545  
INSULATION: COLOR-BLUE



	.115-.170	100	LOOSE PIECE, BOX	9-52421-1
	.105-.150	100	LOOSE PIECE, BOX	8-52421-1
OBSOLETE	.115-.170	100	ON TAPE, SM BOX	52421-5
OBSOLETE	.115-.170	1000	ON TAPE, LG BOX	52421-4
	.115-.170	5000	ON TAPE, REEL	52421-3
OBSOLETE	.105-.150	5000	ON TAPE, REEL	52421-2
	.115-.170	--	LOOSE PIECE	52421-1
	.105-.150	--	LOOSE PIECE	52421
	DIM "A"	QTY	PACKAGE TYPE	PART NO

THIS DRAWING IS A CONTROLLED DOCUMENT.		DWN jr_ruth 14MAY10	<b>STE</b> TE Connectivity	
DIMENSIONS: MM [ INCHES ]		CHK TOM MICHIELUTTI 14MAY10		
TOLERANCES UNLESS OTHERWISE SPECIFIED:		APVD TOM MICHIELUTTI 14MAY10	NAME TERMINAL, PIDG, SPRING SPADE, WIRE SIZE: 16-14	
0 PLC ± -		PRODUCT SPEC	SIZE	
1 PLC ± -		APPLICATION SPEC	CAGE CODE	
2 PLC ± 0.2 [.008]		WEIGHT	DRAWING NO	
3 PLC ± -		MATERIAL	RESTRICTED TO	
4 PLC ± -			A3 00779 C-52421	
ANGLES ± 5°		CUSTOMER DRAWING		
FINISH		SCALE		SHEET
3		6:1		1 OF 1
4		REV H2		