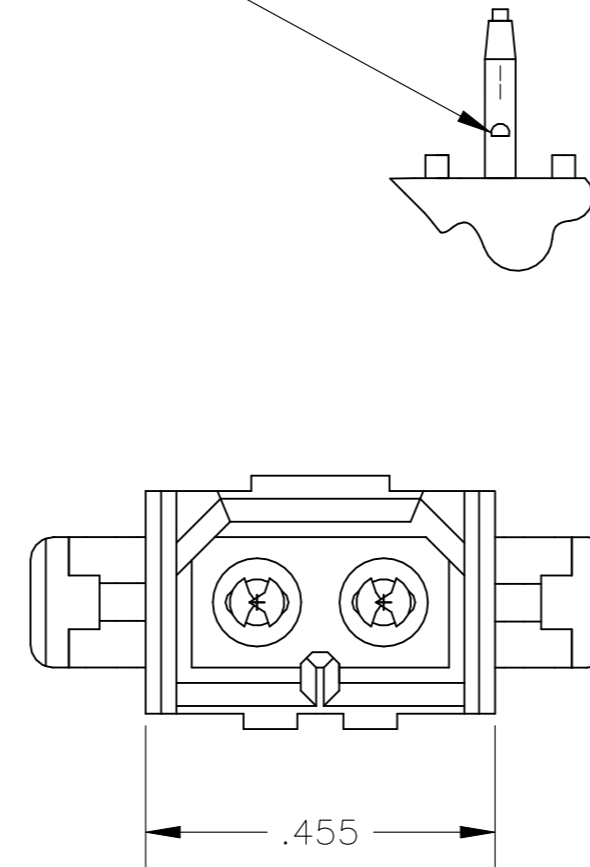
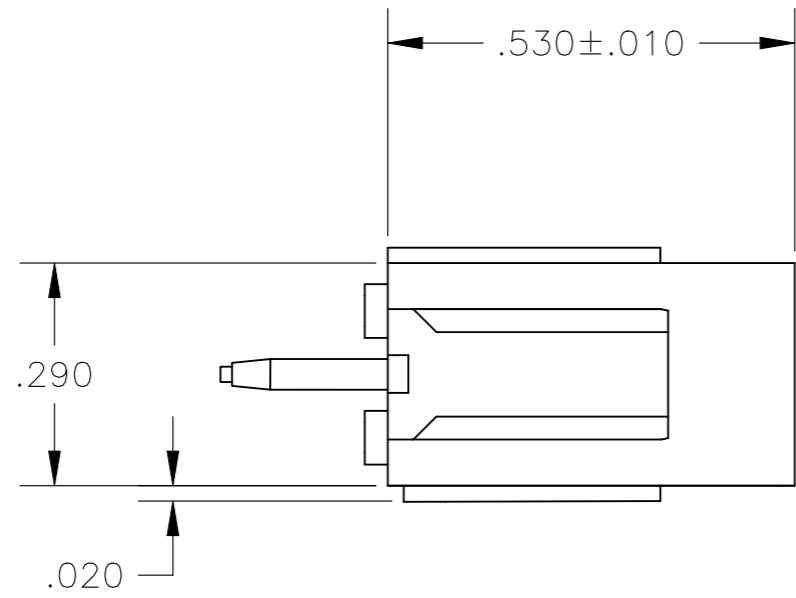
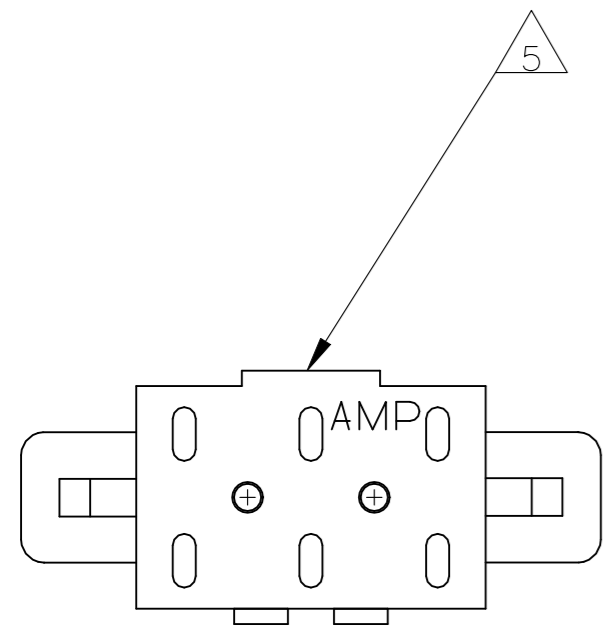
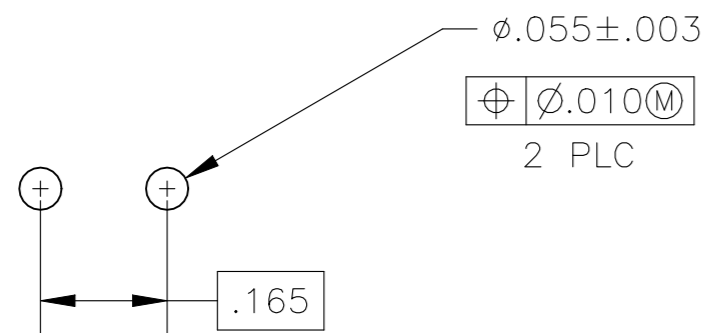
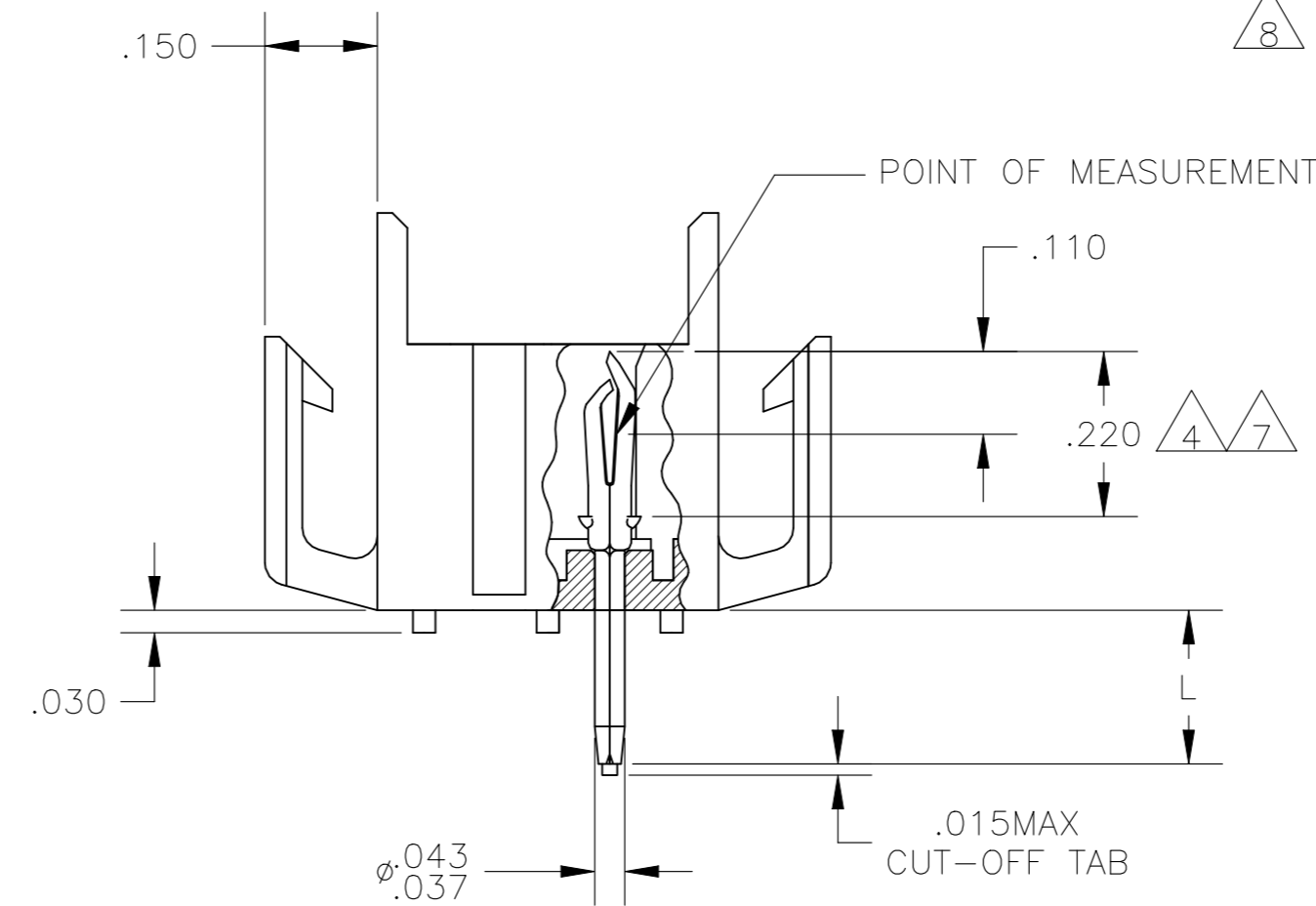


REVISIONS					
P	LTR	DESCRIPTION	DATE	DWN	APVD
R		REVISED PER ECO-21-005962	19MAY2021	RK	MZ

ANTI SOLDER WICKING TAB



1. FITS SOCKET HOUSING 640517.
2. ASSEMBLY CONFORMS TO AMP SOLDERABILITY SPEC. 109-11-3.
3. FOR USE WITH .063 THICK P.C. BOARD.
4. CONTACT IS PLATED OVERALL WITH .000050 NICKEL, THEN .000030 GOLD OVER CONTACT LENGTH INDICATED AND .000150 MATTE TIN-LEAD ON SOLDER TAIL END.
5. UL AND CSA LOGO LOCATED ON THIS SURFACE.
6. FOR USE WITH .120 THICK P.C. BOARD.
7. CONTACT IS PLATED OVERALL WITH .000050 NICKEL, THEN .000030 GOLD OVER CONTACT LENGTH INDICATED AND .000150 MATTE TIN ON SOLDER TAIL END.
8. HOUSING MATERIAL: PA66, BLACK, UL 94 V-0 RATED
CONTACT MATERIAL: PHOSPHOR BRONZE

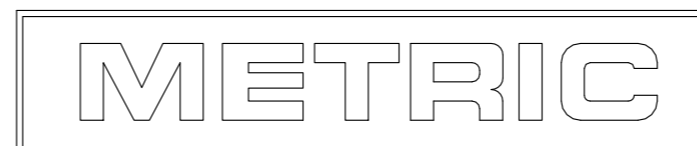


RECOMMENDED P.C. BOARD LAYOUT

IN	MM	IN	MM
.043	1.09	.530	13.46
.037	0.94	.455	11.56
.030	0.76	.290	7.37
.020	0.51	.220	5.59
.015	0.38	.210	5.33
.010	0.25	.165	4.19
.008	0.20	.150	3.81
.005	0.13	.110	2.79
.003	0.08	.063	1.60
.000050	0.00127	.055	1.40
IN	MM	IN	MM

CONVERSION TABLE

.210	6	GOLD	7	2-640497-4
.150	3	GOLD	7	2-640497-2
.210	6	GOLD	4	640497-4
.210	6	PRE-TIN		640497-3
.150	3	GOLD	4	640497-2
.150	3	PRE-TIN		640497-1
"L" +.010 -.020		PIN FINISH		PART NUMBER



THIS DRAWING IS A CONTROLLED DOCUMENT.

DIMENSIONS: INCHES	TOLERANCES UNLESS OTHERWISE SPECIFIED: 0 PLC ± - 1 PLC ± - 2 PLC ± - 3 PLC ± .005 4 PLC ± - ANGLES ± 0°30'	DWN J. HUFFMAN 27APR98	CHK R. SWING 27APR98	APVD T. BEDDICK 27APR98	NAME TE Connectivity
MATERIAL 8	FINISH SEE TABLE	PRODUCT SPEC APPLICATION SPEC		HEATER ASSEMBLY, PIN, 2 POSITION, MR.	
WEIGHT -		SIZE A2	CAGE CODE 00779	DRAWING NO C-640497	RESTRICTED TO -
CUSTOMER DRAWING			SCALE 4:1	SHEET 1 of 1	REV R