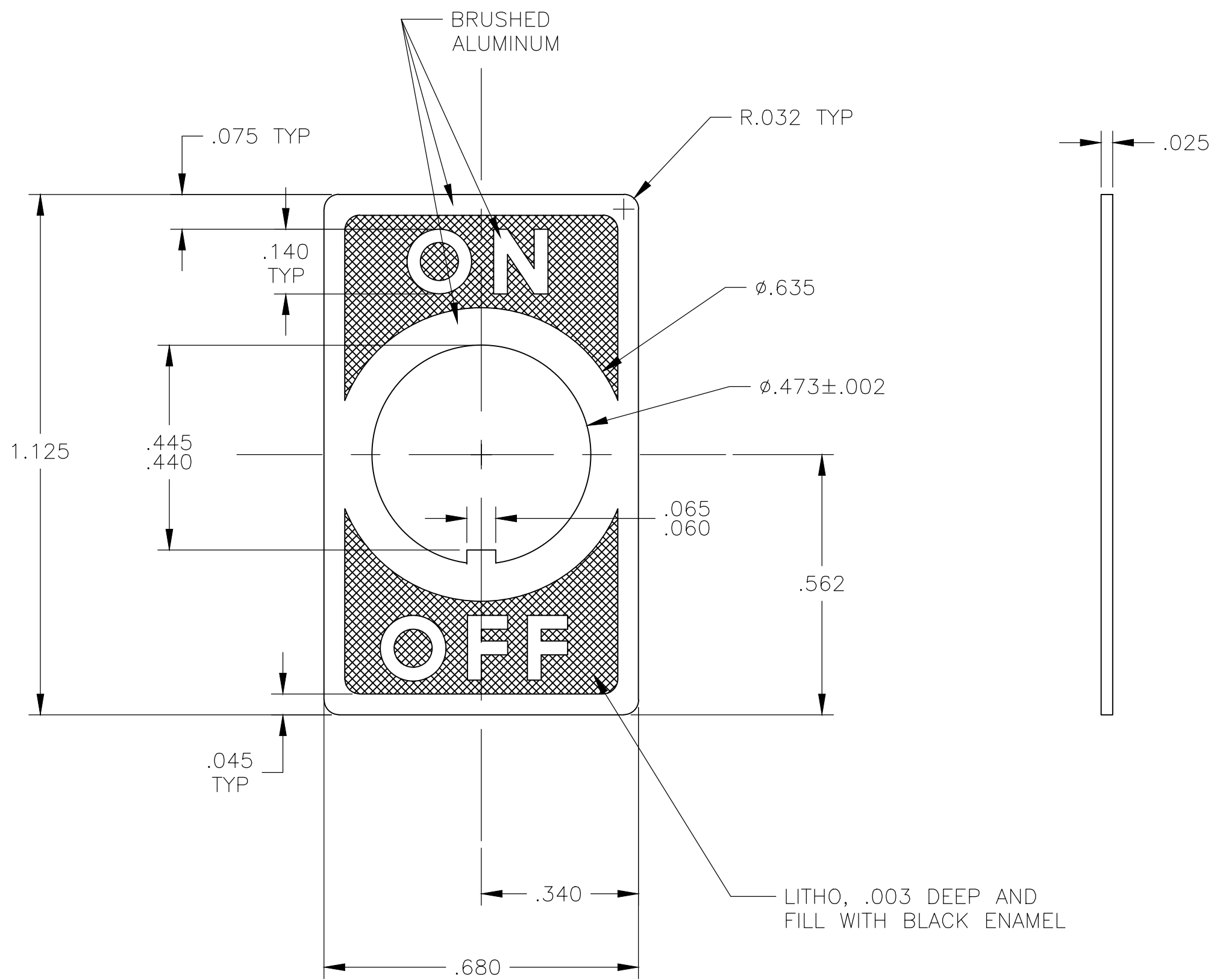
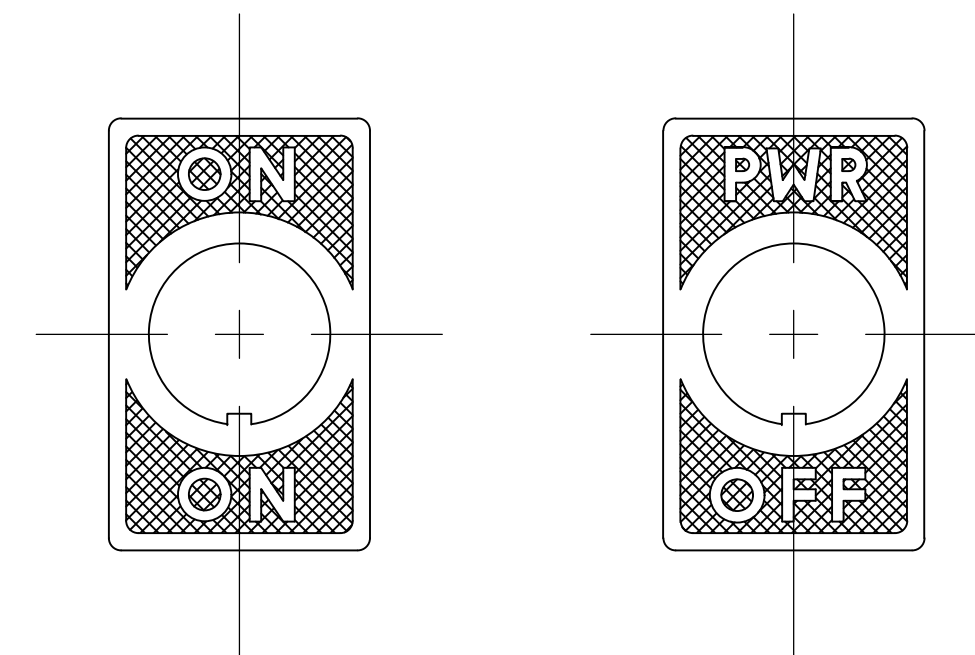


THIS DRAWING IS UNPUBLISHED. RELEASED FOR PUBLICATION
 © COPYRIGHT - TE Connectivity Ltd. ALL RIGHTS RESERVED.

REVISIONS					
P	LTR	DESCRIPTION	DATE	DWN	APVD
A1		ECR-16-017266	01JUN2018	SR	PO



SPA-42



SCALE 2:1

OBSOLETE	SPA-43	2-1437628-7
	SPA-42	2-1437628-6
	SPA-41	2-1437628-5
	ALCO PT. NO.	TYCO PT. NO.

THIS DRAWING IS A CONTROLLED DOCUMENT.		DWN R BROWN 19NOV02	TE Connectivity Ltd.																			
DIMENSIONS: INCHES		CHK M ZITTO 19NOV02	NAME SWITCH PLATE SPA 41, 42 & 43																			
TOLERANCES UNLESS OTHERWISE SPECIFIED:		APVD M ZITTO 19NOV02																				
<table border="0"> <tr><td>0 PLC</td><td>±</td><td>-</td></tr> <tr><td>1 PLC</td><td>±</td><td>-</td></tr> <tr><td>2 PLC</td><td>±</td><td>-</td></tr> <tr><td>3 PLC</td><td>±</td><td>.005</td></tr> <tr><td>4 PLC</td><td>±</td><td>-</td></tr> <tr><td>ANGLES</td><td>±</td><td>-</td></tr> </table>		0 PLC	±	-	1 PLC	±	-	2 PLC	±	-	3 PLC	±	.005	4 PLC	±	-	ANGLES	±	-	PRODUCT SPEC -	SIZE A2	CAGE CODE 00779
0 PLC	±	-																				
1 PLC	±	-																				
2 PLC	±	-																				
3 PLC	±	.005																				
4 PLC	±	-																				
ANGLES	±	-																				
MATERIAL	FINISH -	WEIGHT	DRAWING NO C-2-1437628-5	RESTRICTED TO -																		
CUSTOMER DRAWING			SCALE 4:1	SHEET 1 OF 1																		