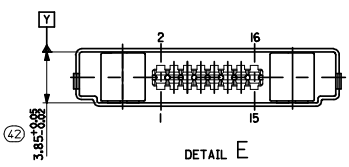


TABLE A		
COMPONENT	PCB PAD DIMENSION	QTY
LOCKING LATCHES	2.60 x 4.65 \square 0.10 R	(x2)
SIGNAL CONTACTS	0.35 $^{+0.05}$ x 2.0 \square 0.10 R	(x16)
SMT RETENTION PADS	2.5 x 5.0 \square 0.10 R	(x2)

TABLE B		
ITEM No	TAIL COPLANARITY	SEE NOTE
1 & 2	39 -0.075 $^{+0.00}$ _{-0.10}	3
3 & 4	40 0.00 $^{+0.00}$ _{-0.125}	3
5 & 6	41 0.00 $^{+0.05}$ _{-0.10}	3 & 4

NOTES:
 1. MATERIALS:
 HOUSING: LCP 35% GLASS FILL, UL94 V-0, COLOUR: BLACK
 SMT RETENTION PADS: PHOSPHOR BRONZE 0.30REF THICK.
 PLATING: 3 - 5µm TIN OVER 127µm NICKEL
 LOCKING LATCHES: PHOSPHOR BRONZE 0.30REF THICK.
 PLATING: 3 - 5µm TIN OVER 127µm NICKEL
 SIGNAL CONTACTS: PHOSPHOR BRONZE 0.20REF THICK.
 PLATING: 127µm NICKEL UNDERCOAT OVERALL
 GOLD FLASH 0.1µm MIN OVER PALLADIUM NICKEL
 10µm MIN IN THE CONTACT AREA. 3.0µm TIN
 ON THE SOLDER TAIL.
 2. COMPONENT PACKAGING: TO BE PACKED IN EMBOSSED TAPE
 SEE 50A-90811-9001 SHEET
 3. ALL SIGNAL SMT TAILS TO LIE WITHIN A COPLANARITY BAND OF
 100µm FROM EACH OTHER.
 4. MATES WITH 90813 SERIES PLUS CONNECTOR
 90812 SERIES CRADLE CONNECTOR
 5. SEE PRODUCT SPECIFICATION PS-90811-001.
 LAST INSPECTION No. 43



ADDED CRITICAL DIMENSIONS EC NO: E2008-0262 DRAWN BY: MDR/WINDGARTON CHECKED BY: MDR/WINDGARTON APPROVED BY: APPR:BMAGUIRE DATE: 2008/03/20 DATE: 2008/03/20 DATE: 2008/03/20	QUALITY SYMBOLS ▽=0 ▽=5	GENERAL TOLERANCES (UNLESS SPECIFIED) mm INCH	DIMENSION STYLE MM ONLY	SCALE 5:1	DESIGN UNITS METRIC	THIRD ANGLE PROJECTION
	DRAFT WHERE APPLICABLE MUST REMAIN WITHIN DIMENSIONS	DRAWN BY: FDUGGAN DATE: 2006/11/21 CHECKED BY: SMC/GREEVEY DATE: 2006/11/21 APPROVED BY: EFO LAN DATE: 2006/11/21	MATERIAL NO. 90811-2131	TITLE 1MM PITCH I/O RCPT 16CKT	DOCUMENT NO. SD-90811-010	SHEET NO. 1 OF 1

7 6 5 4 3 2 1

E

E

D

D

C

C

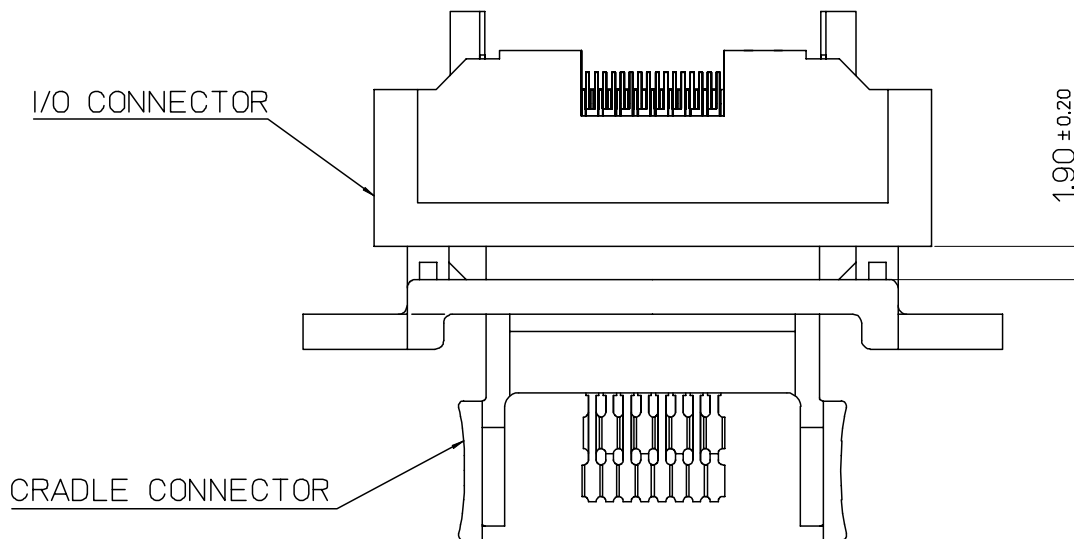
B

B

A

A

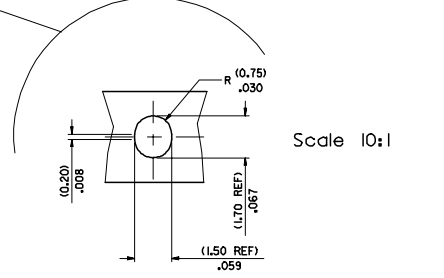
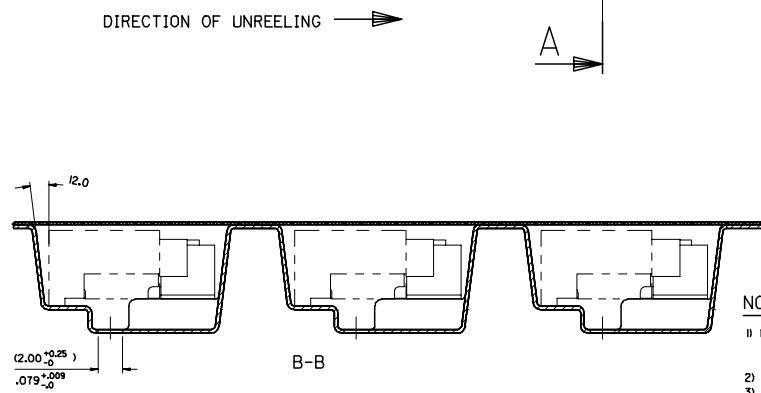
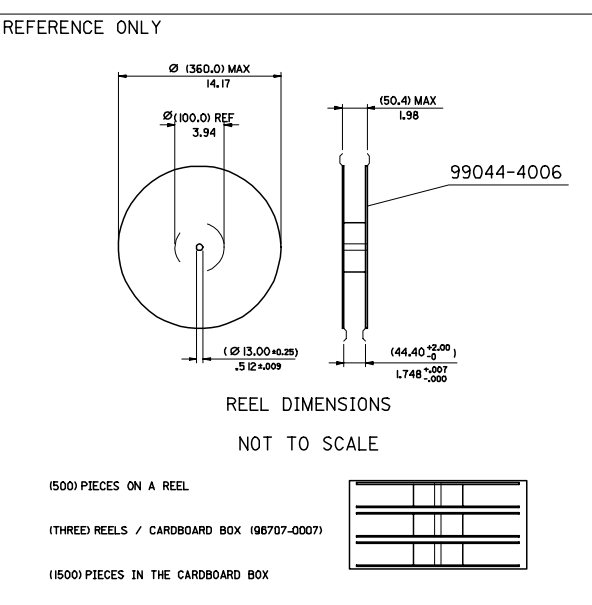
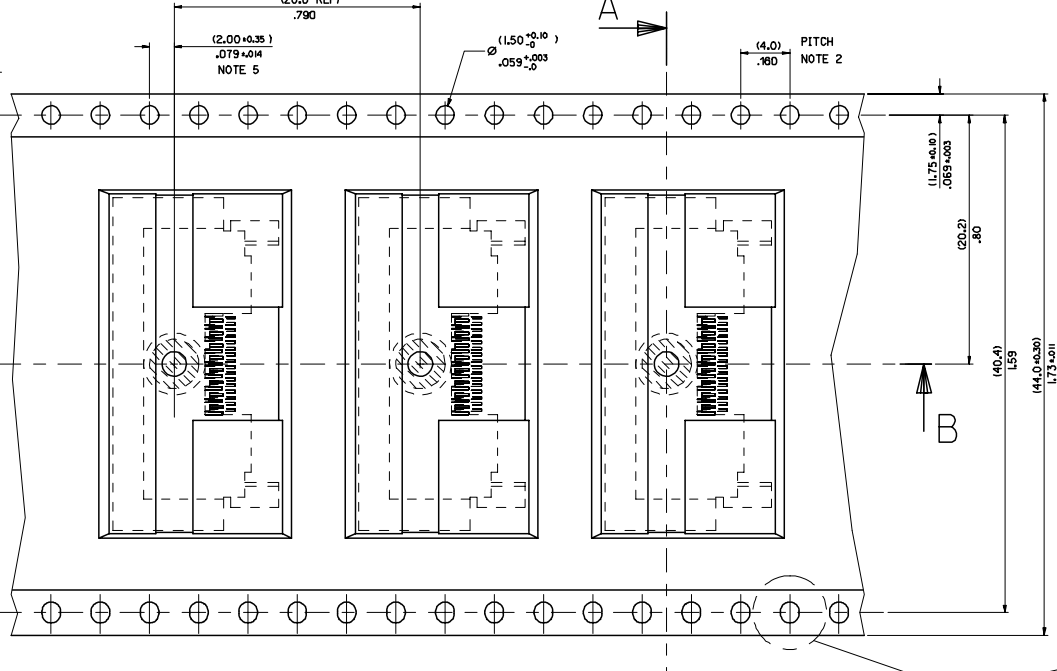
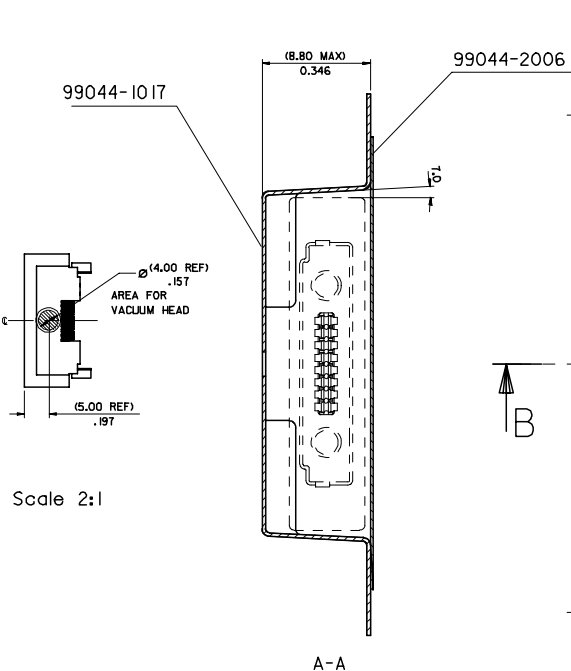
MATED GAP SPECIFICATION



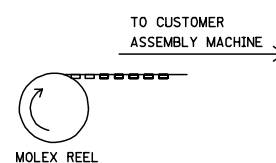
NOTE:
1. SEE SHEET 1 FOR ALL UNSPECIFIED NOTES AND DIMENSIONS.

SEE SHEET 1 EC NO: E2007-0933 DRWN:FDUGGAN CHKD: APPR:EFOLAN	2007/06/08 2007/06/20 2007/06/21	DESCRIPTION REV	QUALITY SYMBOLS	GENERAL TOLERANCES (UNLESS SPECIFIED)	DIMENSION STYLE	SCALE	DESIGN UNITS	THIRD ANGLE PROJECTION	
			$\nabla = 0$ $\sphericalangle = 0$	mm INCH	MM ONLY	---	METRIC	DRAWN BY DATE F DUGGAN 2007/05/01	TITLE
			4 PLACES ± --- ± --- 3 PLACES ± --- ± --- 2 PLACES ± 0.10 ± --- 1 PLACE ± 0.2 ± ---	ANGULAR ± 2 °	CHECKED BY DATE S MCGREEVY 2007/05/01	1MM PITCH I/O RCPT 16CKT			
			DRAFT WHERE APPLICABLE MUST REMAIN WITHIN DIMENSIONS	APPROVED BY DATE E FOLAN 2007/05/01	MOLEX MOLEX INCORPORATED				
				MATERIAL NO. DOCUMENT NO. SHEET NO. 90811-2131 SD-90811-010 2 OF 2					

6 5 4 3 2 1



- NOTES:**
- MATERIAL :
CARRIER TAPE : VOLUME CONDUCTIVE POLYCARBONATE , (0.37) .014 REF THICK , BLACK
COVER TAPE : COLD SEAL POLYESTER , (0.06) .002 REF THICK , TRANSPARENT
 - PITCH TOLERANCE OVER ANY 10 PITCHES ±(0.2) .008
 - PEEL FORCE OF THE COVER TAPE IS 0.1N TO 1.0N
AT A MAXIMUM PEEL SPEED OF (300) 1.81mm/mIn ±10%
 - REFERENCE TO IEC 286-3 EXCEPT WHERE SPECIFIED



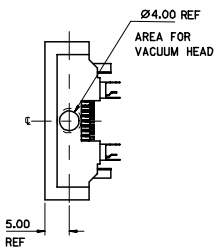
COMPONENT	DESCRIPTION
90811-2001	MOBILE PHONE I/O CONNECTOR

QUALITY SYMBOLS	GENERAL TOLERANCES (UNLESS SPECIFIED)		DIMENSION STYLE		SCALE	DESIGN UNITS	THIRD ANGLE PROJECTION	
	mm	INCH	MM/IN	MM/IN	S:1	METRIC		
▽=0 ▽=0	4 PLACES ±	±	DRAWN BY	DATE	TITLE	BLISTER PACKAGING FOR MOBILE PHONE HANDSET Molex MOLEX INCORPORATED SDA-90811-9001 SHEET NO. 1 OF 3		
	3 PLACES ±	±	CHECKED BY	DATE				
	2 PLACES ±	±	APPROVED BY	DATE				
	1 PLACE ±	±	MATERIAL NO.	DATE		DOCUMENT NO.		
ANGULAR ± .5°			DRAWN BY		DATE			
DRAFT WHERE APPLICABLE MUST REMAIN WITHIN DIMENSIONS			CHECKED BY		DATE			
SIZE 1			APPROVED BY		DATE			

3	C
2	B
1	C

20 19 18 17 16 15 14 13 12 11 10 9 8 7 6 5 4 3 2 1

COMPONENT DETAIL
(W/UNSWITCHED RF)

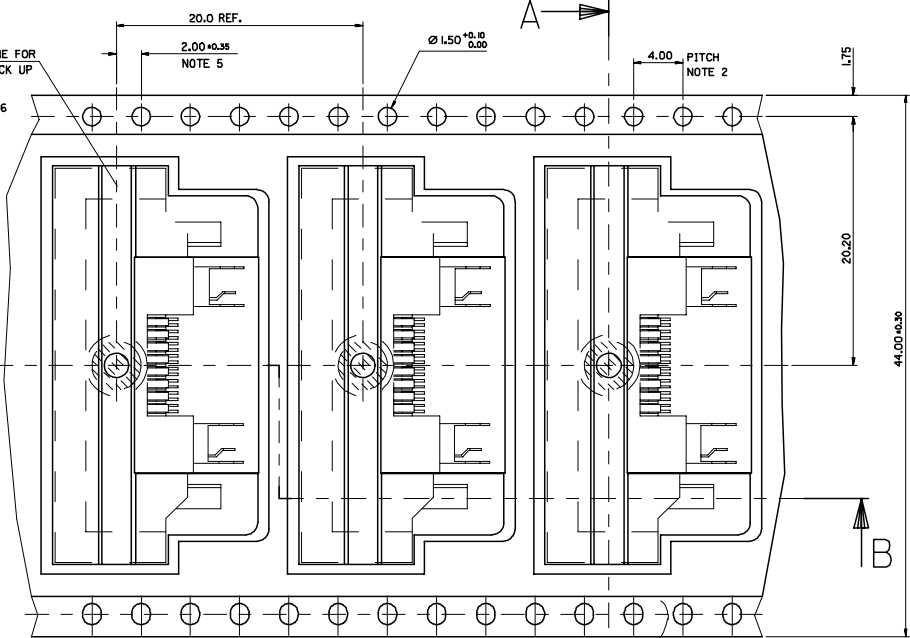


SCALE 2:1

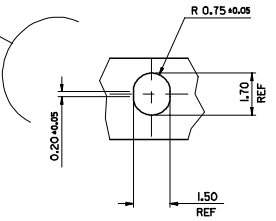
99044-1066

CENTRE LINE FOR VACUUM PICK UP

99044-5006

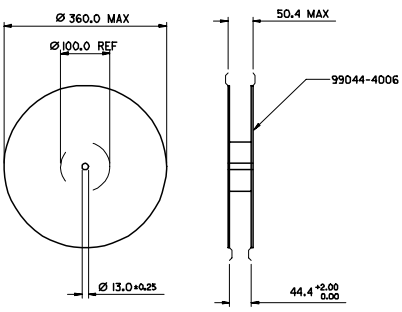


DIRECTION OF UNREELING



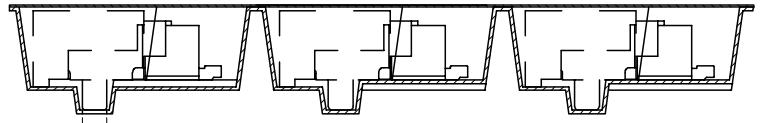
SCALE 10:1

REFERENCE ONLY

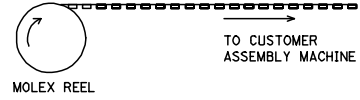


REEL DIMENSIONS
DO NOT SCALE

(400) PIECES / REEL (SUBJECT TO CHANGE)
(THREE) REELS / CARDBOARD BOX (96707-0007)
(1200) PIECES / CARDBOARD BOX (SUBJECT TO CHANGE)



B - B



NOTES:

- MATERIAL :
CARRIER TAPE : VOLUME CONDUCTIVE POLYSTYRENE , 0.4 REF THICK , BLACK
COVER TAPE : COLD SEAL POLYESTER , 0.06 REF THICK, TRANSPARENT
- PITCH TOLERANCE OVER ANY 10 PITCHES ±0.2
- PEEL FORCE OF THE COVER TAPE IS 0.1N TO 1.0N
AT A MAXIMUM PEEL SPEED OF 300mm/min ±10%.
- REFERENCE TO IEC 286-3 EXCEPT WHERE NOTED

COMPONENT	DESCRIPTION
90811-2129	MOBILE PHONE I/O CONNECTOR
90811-2130	1mm Pitch I/O Rpt 16Ckt W/RF
90811-2131	1mm Pitch I/O Rpt 16Ckt W/O RF

ADDED PART NO ECHANGE 2007-0458 2007/05/08 DRIVING DUGGAN 2007/05/15 CHECKED APPR-EFOLIAN 2007/05/16 REV	QUALITY SYMBOLS ▽=0 ▽=0	GENERAL TOLERANCES (UNLESS SPECIFIED) mm INCH		DIMENSION STYLE MM ONLY		SCALE S:1	DESIGN UNITS METRIC	THIRD ANGLE PROJECTION
		4 PLACES ± --- ± --- 3 PLACES ± --- ± --- 2 PLACES ± 0.10 ± --- 1 PLACE ± 0.2 ± --- ANGULAR ± 5°	DRAWN BY T. MAHON 1998/06/16 DATE CHECKED BY DBRENNAN 1998/06/16 DATE APPROVED BY MILWHITE 1998/06/16 DATE	MATERIAL NO. SDA-90811-9001		DOCUMENT NO.	SHEET NO. 3 OF 3	

BLISTER PACKAGING FOR MOBILE PHONE HANDSET

MOLEX MOLEX INCORPORATED

DRAFT WHERE APPLICABLE MUST REMAIN WITHIN DIMENSIONS
 THIS DRAWING CONTAINS INFORMATION THAT IS PROPRIETARY TO MOLEX INCORPORATED AND SHOULD NOT BE USED WITHOUT WRITTEN PERMISSION

19 18 17 16 15 14 13 12 11 10 9 8 7 6 5 4 3 2 1