

G2E160-AY47-01

## AC centrifugal fan

forward curved, single inlet  
with housing (flange)



ebm-papst Mulfingen GmbH & Co. KG  
Bachmühle 2  
74673 Mulfingen  
Phone: +49 7938 81-0  
Fax: +49 7938 81-110  
www.ebmpapst.com  
info1@de.ebmpapst.com

### Nominal data

Type	G2E160-AY47-01		
Motor	M2E068-EC		
Phase		1~	1~
Nominal voltage	[V]	230	230
Frequency	[Hz]	50	60
Type of data definition		rfa	ml
Valid for approval / standard		CE	CE
Speed	[min <sup>-1</sup> ]	2100	2100
Power input	[W]	240	280
Current draw	[A]	1.05	1.23
Motor capacitor	[μF]	6	6
Capacitor voltage	[VDB]	400	400
Min. back pressure	[Pa]	0	50
Max. ambient temperature	[°C]	50	30

ml = max. load · me = max. efficiency · rfa = running at free air · cs = customer specs · cu = customer unit  
Subject to alterations

# AC centrifugal fan

forward curved, single inlet  
with housing (flange)

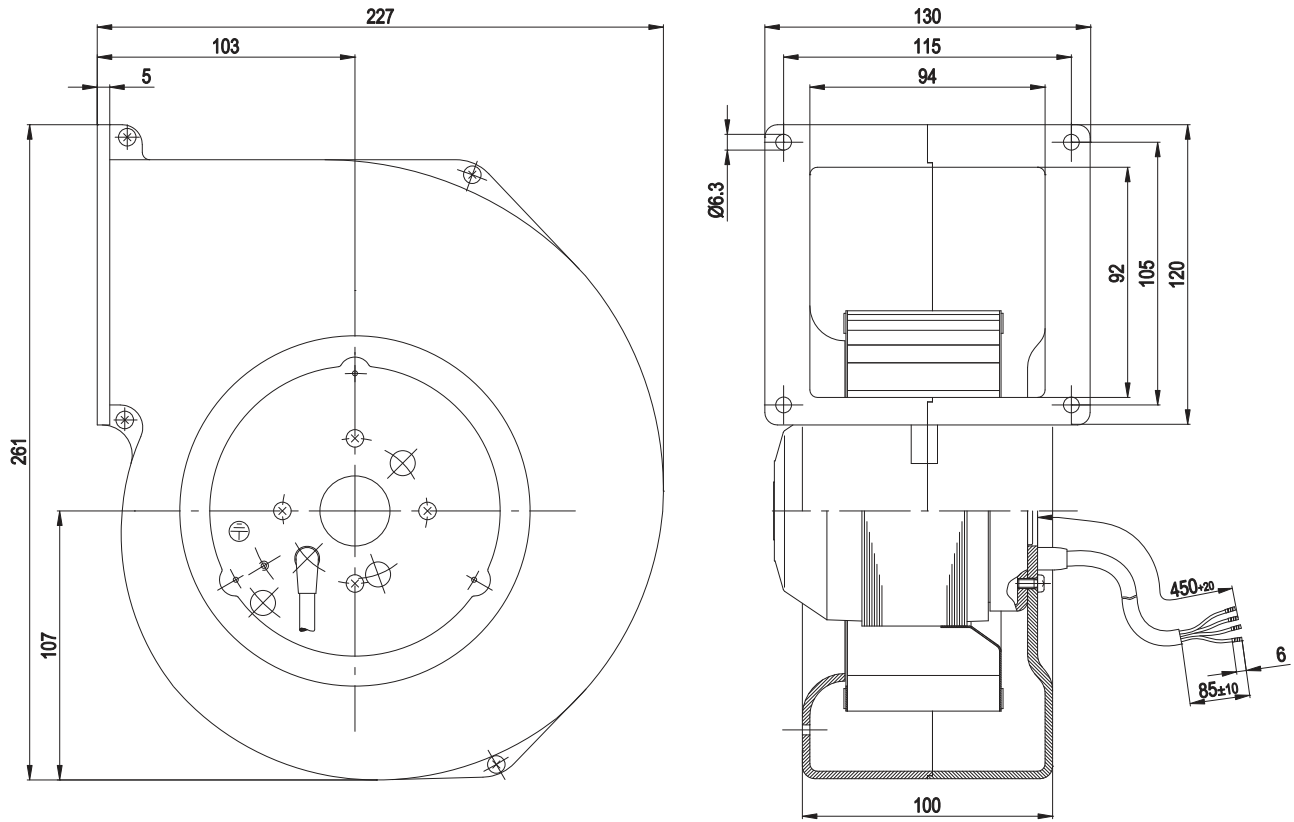
## Technical features

Leackage current	< 0.75 mA
Size	160 mm
Operation mode	S1
Direction of rotation	Clockwise, seen on rotor
Mounting position	Any
Humidity class	F0
Insulation class	"B"
Cable exit	Variable
Condensate discharge holes	None
Bearing motor	Ball bearing
Mass	3.96 kg
Housing material	Die-cast aluminum
Material of impeller	Sheet steel, hot-dip galvanised
Motor protection	Thermal overload protector (TOP) wired internally
Product conforming to standard	CE; EN 60335-1
Surface of rotor	Partially cast in aluminium
Type of protection	IP 44; Depending on installation and position
Protection class	I
Max. permissible ambient motor temp. (transp./ storage)	+ 80 °C
Min. permissible ambient motor temp. (transp./storage)	- 40 °C
Approval	CCC

# AC centrifugal fan

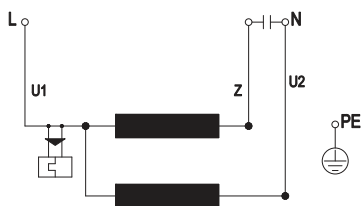
forward curved, single inlet  
with housing (flange)

## Product drawing



1 Connection line PVC, 4x brass lead tips crimped

## Connection screen

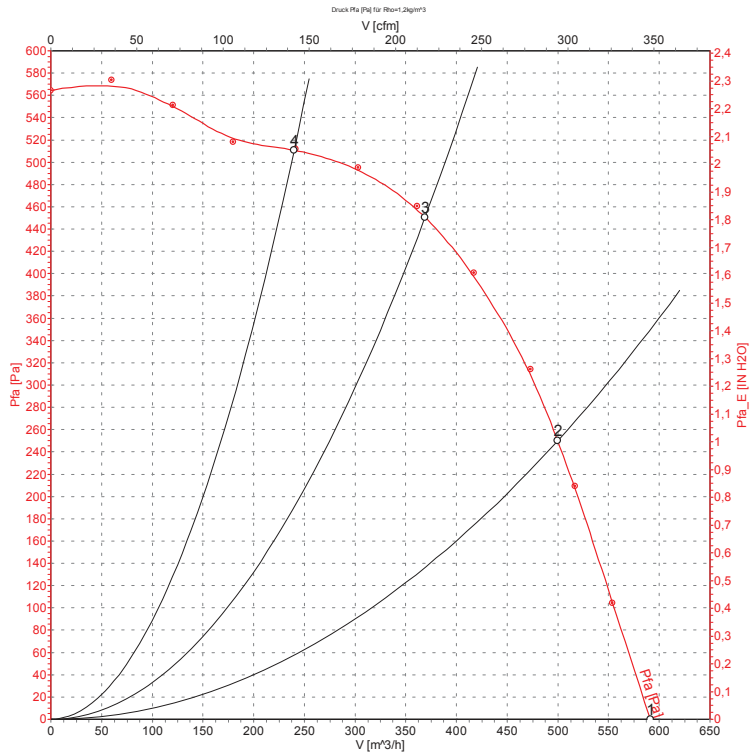


U1	blue	Z	brown	U2	black
PE	green/yellow				

# AC centrifugal fan

forward curved, single inlet  
with housing (flange)

## Charts: Air flow 50 Hz



Measurement: LU-104987

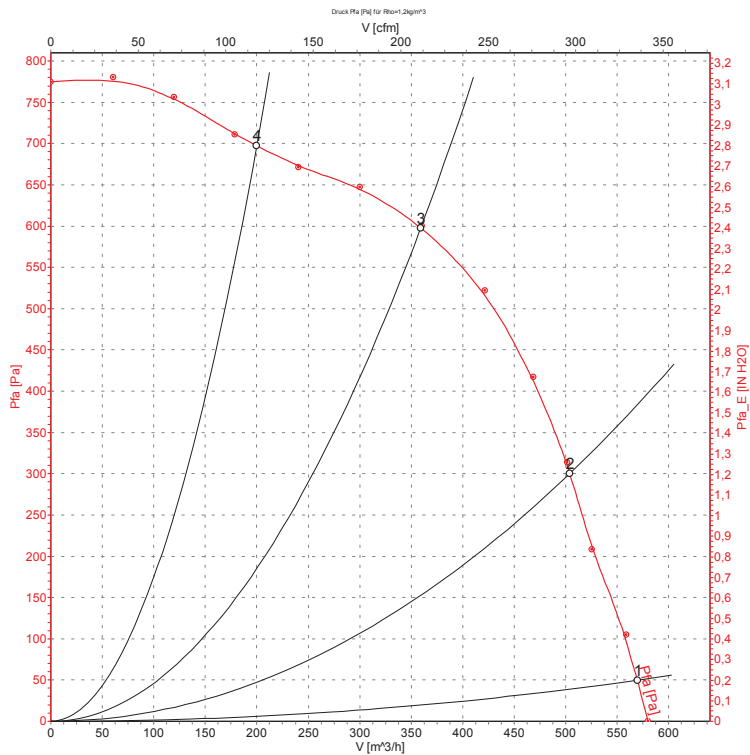
## Measured values

	U	f	n	$P_1$	I	$\dot{V}$	$P_{ta}$
	[V]	[Hz]	[ $\text{min}^{-1}$ ]	[W]	[A]	[ $\text{m}^3/\text{h}$ ]	[Pa]
1	230	50	2130	240	1.05	590	0
2	230	50	2375	200	0.87	500	250
3	230	50	2585	164	0.71	370	452
4	230	50	2715	137	0.59	240	512

# AC centrifugal fan

forward curved, single inlet  
with housing (flange)

## Charts: Air flow 60 Hz



Measurement: LU-104989

## Measured values

	U	f	n	P <sub>1</sub>	I	$\dot{V}$	P <sub>ta</sub>
	[V]	[Hz]	[min <sup>-1</sup> ]	[W]	[A]	[m <sup>3</sup> /h]	[Pa]
1	230	60	2130	280	1.23	570	50
2	230	60	2500	258	1.12	505	303
3	230	60	2940	210	0.94	360	601
4	230	60	3180	172	0.80	200	697