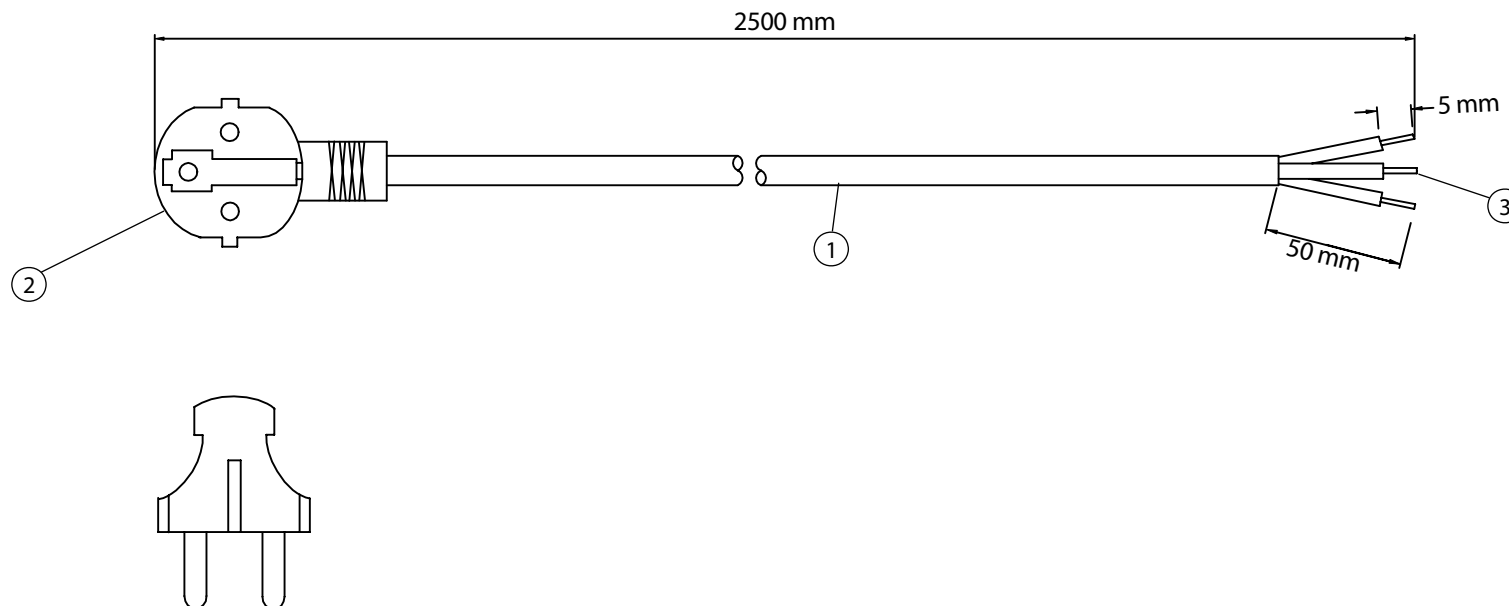


THESE DRAWINGS ARE THE PROPERTY OF QUALTEK ELECTRONICS AND NOT TO BE REPRODUCED FOR OR COMMUNICATED TO A THIRD PARTY WITHOUT THE EXPRESS WRITTEN PERMISSION OF AN OFFICER OF QUALTEK ELECTRONICS.

REVISION			
REV.	DESCRIPTION	DATE	APPROVED
B	RoHS Compliancy	06-01-06	DP



**CONTROLLED**

NOTES:

1. CORDAGE: H05VV-F, 3x1.0mm, UNSHIELDED, CEE COLOR CODE, TEMP. RATING 70°C, RATING: 250V 10A, JACKET COLOR: BLACK
2. PLUG: IEC 884/CEE7-VII
3. OTHER END: ROJ 50mm STRIP 5mm
4. APPROVALS: CB, GERMANY, DENMARK, NORWAY, FINLAND, FRANCE, BELGIUM, NETHERLANDS, SWEDEN, AUSTRIA
5. ROHS COMPLIANT

Dim range (mm)		Tolerance +/- (mm)		Qualtek Electronics Corp. PPC DIVISION		
0-1		0.15		Part Number: 366042-D01 <span style="border: 1px solid green; padding: 2px;">RoHS Compliant</span>		
1-6		0.20		Description: POWER CORD		
6-18		0.30		UNIT: mm REV. B		
18-50		0.50		Drawn / Date		
50-120		0.70		Checked / Date		
120-250		0.90		Approved / Date		
250-500		1.20		B.ZHANG 12-05-03		
				12-05-03		
				JJH / 12-05-03		