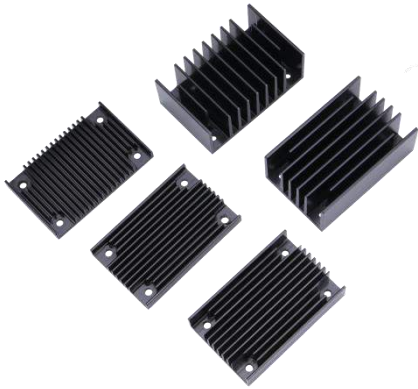


Heatsinks for Quarter Brick DC-DC Converters



Features

- Reduce pressure drop and improve thermal performance of modules
- Compatible with DOSA Pin Converters
- Various sizes and fin orientation
- High performance thermal mounting pads available
- Optional packaging and accessories

Part Numbering System

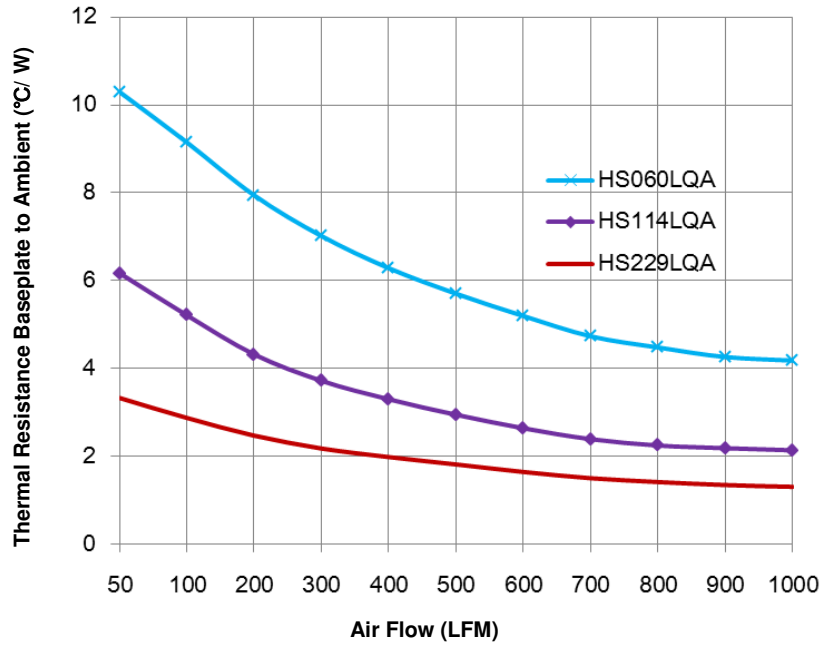
HS	□□□	□	Q	A	-	□
Series Name	Height	Orientations	Brick Size	X	-	Optional
Heatsink	060: 6.0mm(0.24") 114: 11.4mm(0.45") 229: 22.9mm(0.90")	L: Lengthwise C: Crosswise	Q: For quarter brick converters	A: Version No.	-	Optional packaging and accessories

Selection Guide

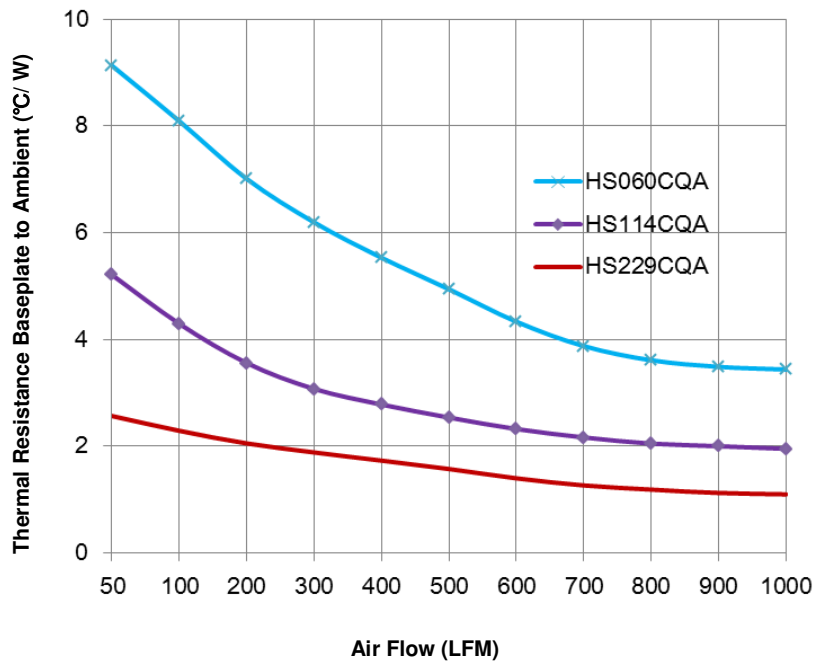
Part No.	Height (mm)	Orientations	Brick Size	Version
HS060LQA	6.0	Lengthwise	1/4	A
HS060CQA	6.0	Crosswise	1/4	A
HS114LQA	11.4	Lengthwise	1/4	A
HS114CQA	11.4	Crosswise	1/4	A
HS229LQA	22.9	Lengthwise	1/4	A
HS229CQA	22.9	Crosswise	1/4	A

Characteristics Curves

HSxxxLQA

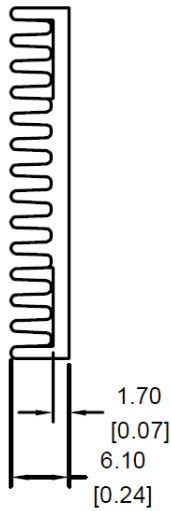
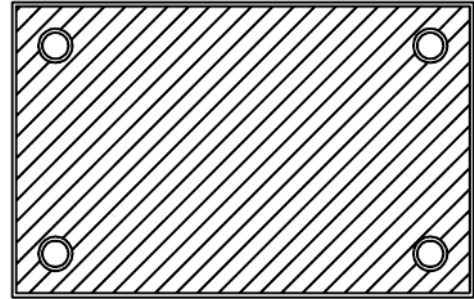
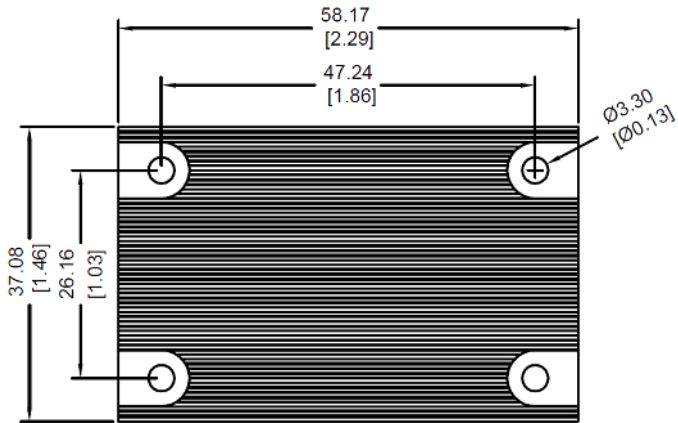


HSxxxCQA

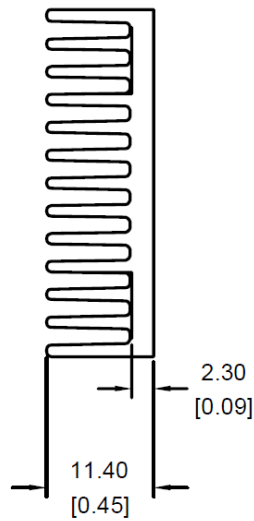


Mechanical Drawing

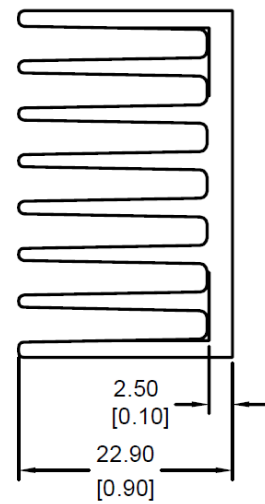
HSxxxLQA



HS060LQA



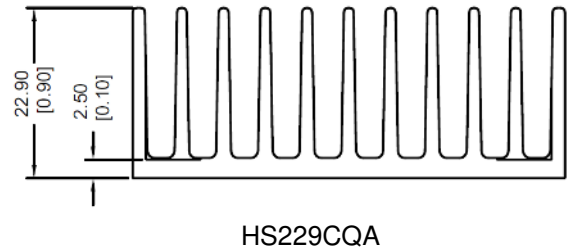
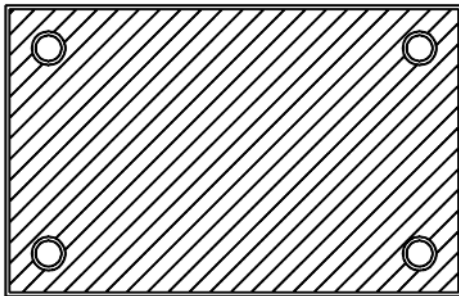
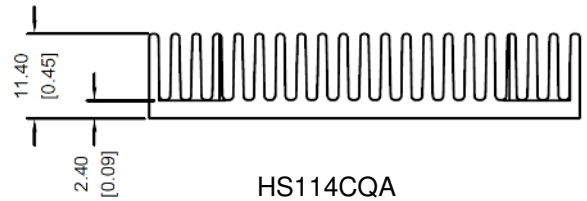
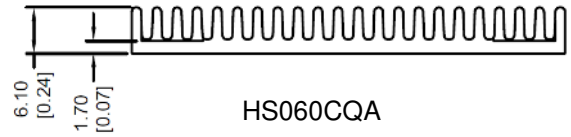
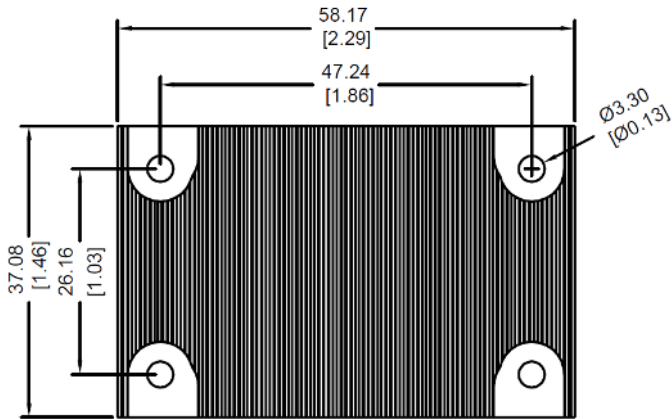
HS114LQA



HS229LQA



HSxxxCQA



Notes:

- 1) All dimensions in mm (inches):
Tolerances: .xx +/- 0.25 (.xxx +/- 0.010)
- 2) If M3 screws are used to attach a heatsink to the baseplate, the screw length from the surface with fins of the heatsink going down should not exceed 5.5 mm (0.216") max