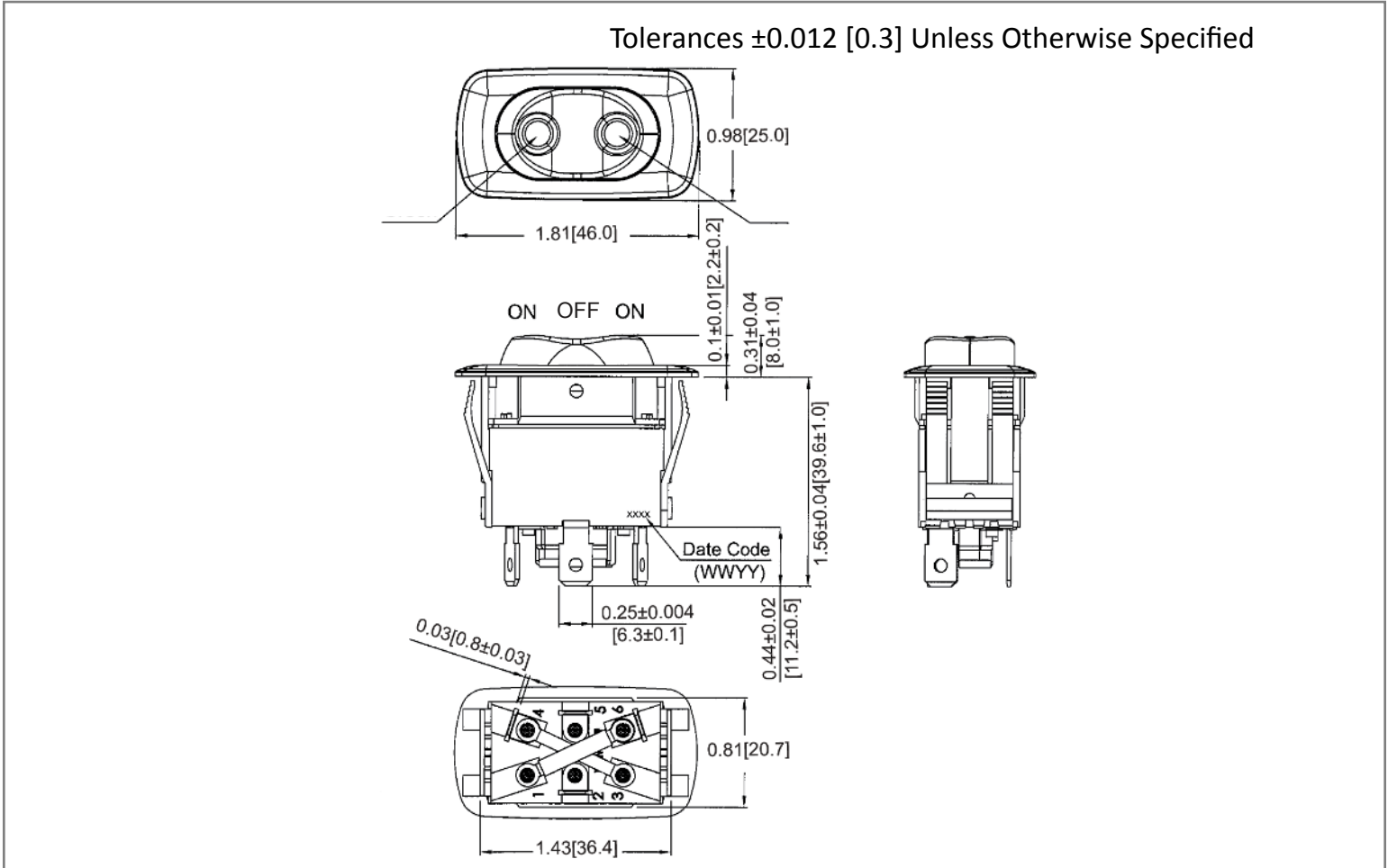
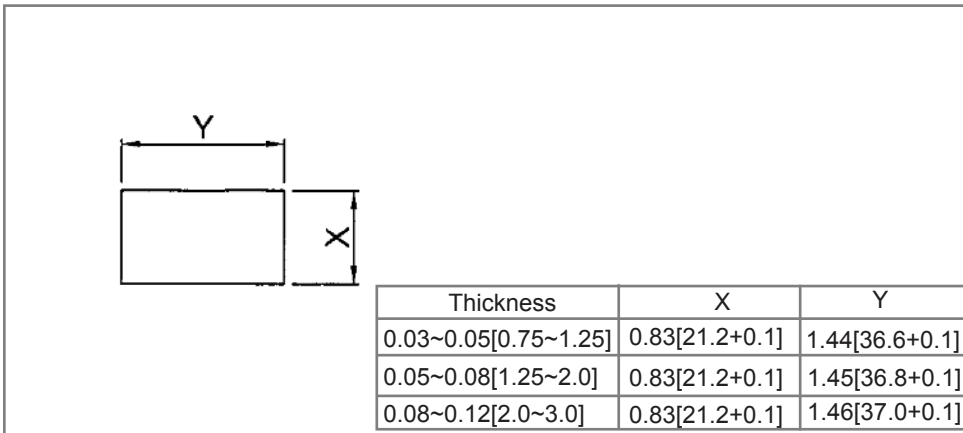


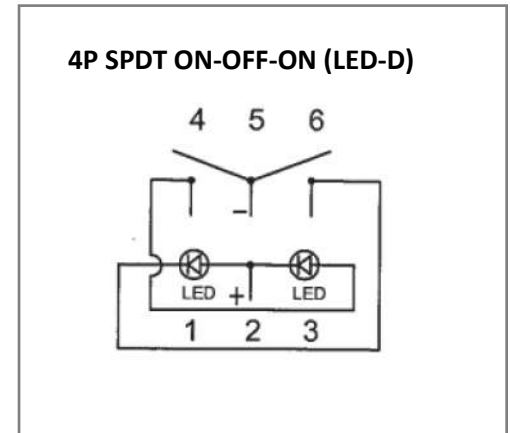
## Mechanical Dimensions: Inches [mm]



## Mounting Hole



## Circuit Diagram



## Electrical Specifications

<b>Rating</b>	21A 14V DC
<b>Contact Resistance</b>	50m ohm Max
<b>Insulation Resistance</b>	DC 500V 100M ohm Min
<b>Dielectric Strength</b>	AC 1500V 1minute
<b>Operation Temperature</b>	-20°C~85°C

## Material Specifications

<b>Frame</b>	Black, Nylon #66
<b>Actuator</b>	Black, Nylon #66
<b>LED</b>	Amber/Amber, LEDs (Dependent)

Rev	Date of issue	Revision Notes	Designed	Approved
B	02-26-2020	Initial Drawing	RC	OF