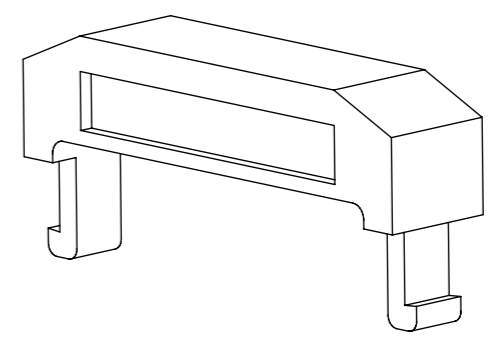
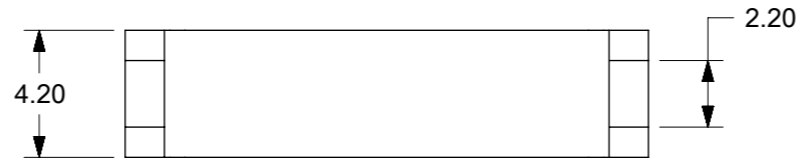
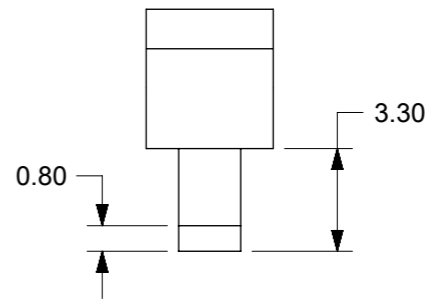
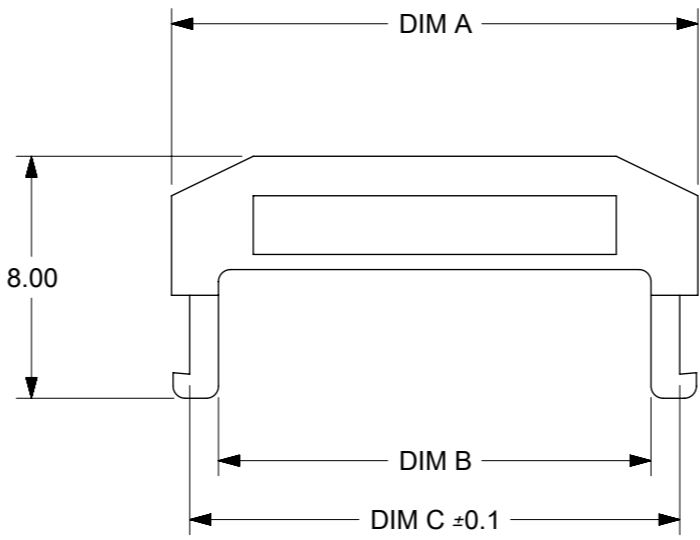


ENGINEERING NUMBER	CKT SIZE	A	B	C
87569-1010	10	15.40	12.20	14.25
87569-1012	12	17.40	14.20	16.25
87569-1014	14	19.40	16.20	18.25
87569-1016	16	21.40	18.20	20.25
87569-1020	20	25.40	22.20	24.25
87569-1022	22	27.40	24.20	26.25
87569-1024	24	29.40	26.20	28.25
87569-1026	26	31.40	28.20	30.25
87569-1030	30	35.40	32.20	34.25
87569-1032	32	37.40	34.20	36.25
87569-1034	34	39.40	36.20	38.25
87569-1040	40	45.40	42.20	44.25
87569-1044	44	49.40	46.20	48.25
87569-1050	50	55.40	52.20	54.25



87569 - 1 0 * *
 CKT SIZE

NOTES:
 1. MATERIAL: THERMOPLASTIC, UL94V-0 BLACK
 2. FOR ILLUSTRATION PURPOSES A 12 CIRCUIT SIZE PART IS SHOWN.
 3. FOR ALL OTHER CIRCUIT SIZES CONTACT FACTORY.

QUALITY SYMBOLS 	THIS DRAWING CONTAINS INFORMATION THAT IS PROPRIETARY TO MOLEX ELECTRONIC TECHNOLOGIES, LLC AND SHOULD NOT BE USED WITHOUT WRITTEN PERMISSION												
	MIGRATED TO ECTR EC NO: 170269 DRWN: VNANDAM CHK'D: CD REV APPR: GGA	2017/12/12		2018/02/12		2018/02/13		GENERAL TOLERANCES (UNLESS SPECIFIED)		DIMENSION UNITS		SCALE	
		MM		INCH		MM		INCH		MM		NTS	
		4 PLACES ±		±		4 PLACES ±		±		DRWN BY		DATE	
		3 PLACES ±		±		3 PLACES ±		±		MSAKTHI		1999/02/25	
2 PLACES ±		0.2		2 PLACES ±		0.2		CHK'D BY		DATE			
1 PLACES ±		±		1 PLACES ±		±		JSGOH		1999/07/19			
0 PLACES ±		±		0 PLACES ±		±		APPR BY		DATE			
								MLONG		2009/11/13			
								ANGULAR TOL = 3.0		DRAWING SIZE		THIRD ANGLE PROJECTION	
								DRAFT WHERE APPLICABLE MUST REMAIN WITHIN DIMENSIONS		A3			
												MGRID, 2MM DUAL ROW IDT	
												PRODUCT CUSTOMER DRAWING	
												SERIES: 87569 MATERIAL NUMBER: SEE TABLE CUSTOMER: GENERAL MARKET	
												DOCUMENT NUMBER: SD-87569-008 DOC TYPE: PSD DOC PART: 001 SHEET NUMBER: 1 OF 1	