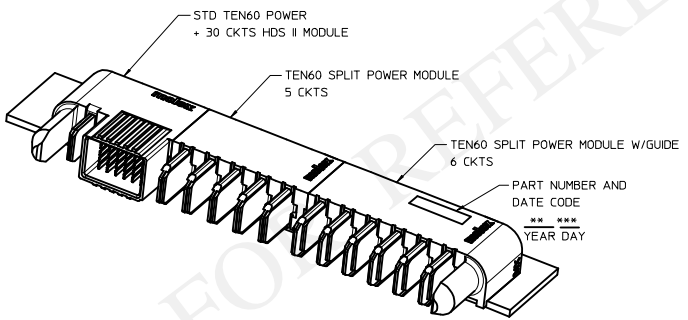
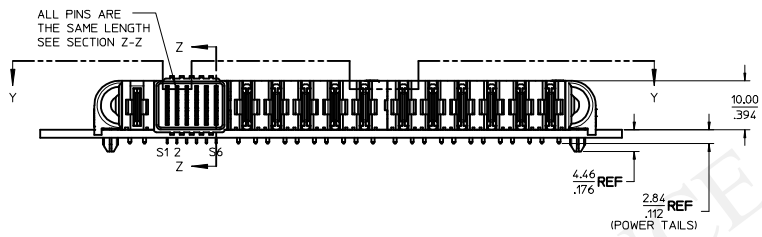
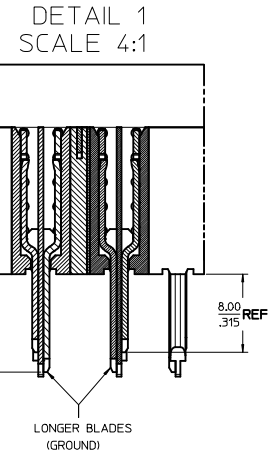
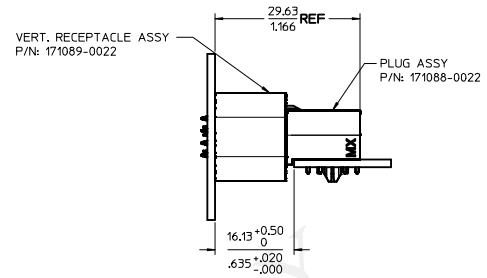
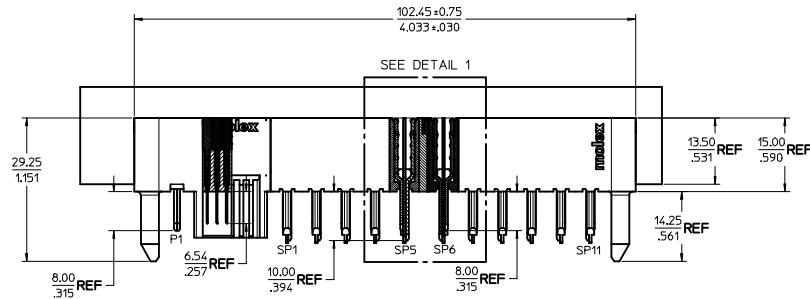
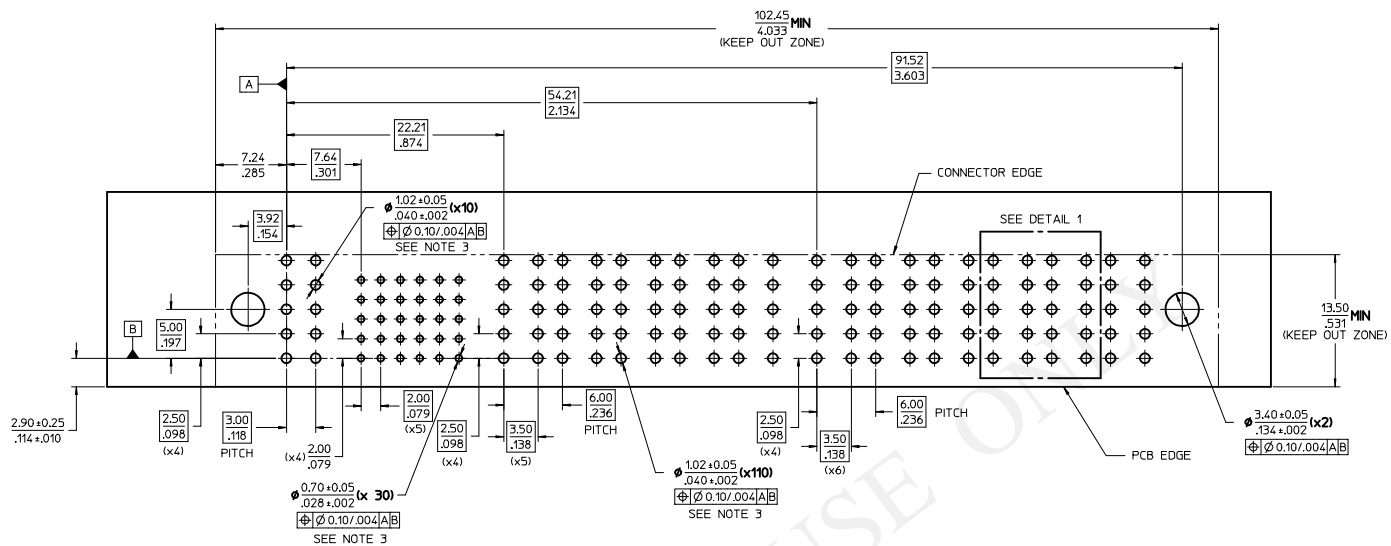


3D MODEL NO.: TM-171088-0022

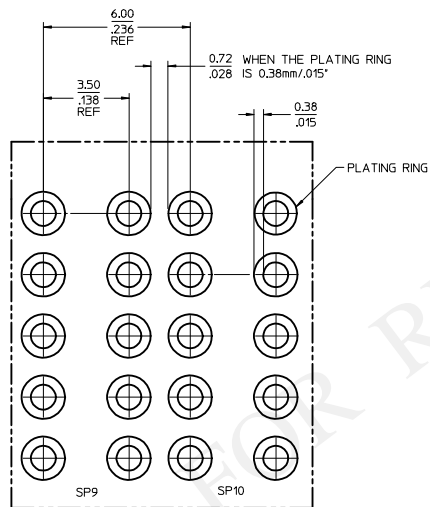


- NOTES:
- MATERIAL:
 - HOUSINGS: LCP UL94, V-0, COLOR : BLACK
 - TERMINALS: HIGH CONDUCTIVITY COPPER ALLOY
 - PLATING: 127 MICROMETER (50 MICROINCH) NICKEL OVERALL WITH 254 MICROMETER (100 MICROINCH) SELECTIVE TIN ON TAILS AND 0.762 MICROMETER (30 MICROINCH) SELECTIVE GOLD ON CONTACT AREA
 - PACKAGING: ASSEMBLIES TO BE TRAY PACKED PER PACKAGING SPEC: TBD
 - PLATED THRU HOLE SIZE REFERS TO PS-171088-0000 FOR DETAILS
 - PRODUCT SPEC: PS-171088-0000
 - APPLICATION SPEC: AS-46436-100
 - PRODUCT TO MEET ROHS REQUIREMENTS
 - ASSEMBLY MATES TO MOLEX RECEPTACLE ASSEMBLY P/N 171089-0022
 - TAIL DESIGN: SOLDER TAIL
 - SIGNAL CONTACTS ARE LUBRICATED.

ENTER DESCRIPTION IEC NO. UCP2013-1517 U DRAWN/VL IN 2012/10/10 CHKD: APPR: VL IN 2012/10/17	QUALITY SYMBOLS	GENERAL TOLERANCES (UNLESS SPECIFIED)	DIMENSION STYLE	SCALE	DESIGN UNITS	THIRD ANGLE PROJECTION
	▽=0	mm INCH	MM/IN	2:1	METRIC	☉
	▽=0	4 PLACES ± --- ± ---	DRAWN BY DATE	TITLE		
	▽=0	3 PLACES ± --- ± ---	VL IN 2012/09/12	TEN60 SPLIT POWER PLUG ASSY		
	2 PLACES ± 0.13 ± ---	CHECKED BY DATE	G-1P-30S-5SP-6SP-G			
	1 PLACE ± 0.25 ± ---	APPROVED BY DATE	molex			
	0 PLACE ± --- ± ---	VL IN 2012/10/10	DOCUMENT NO.			
	ANGULAR ±1/2°	MATERIAL NO.	SD-171088-0022			SHEET NO.
	DRAFT WHERE APPLICABLE MUST REMAIN WITHIN DIMENSIONS	171088-0022	SD-171088-0022			1 OF 3
		SIZE D	THIS DRAWING CONTAINS INFORMATION THAT IS PROPRIETARY TO MOLEX INCORPORATED AND SHOULD NOT BE USED WITHOUT WRITTEN PERMISSION			



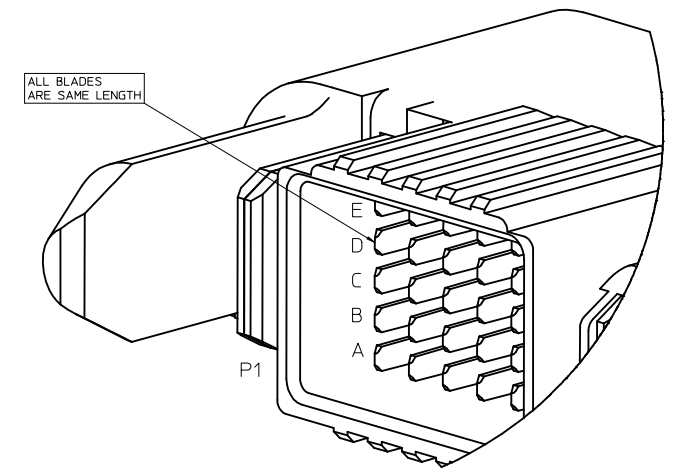
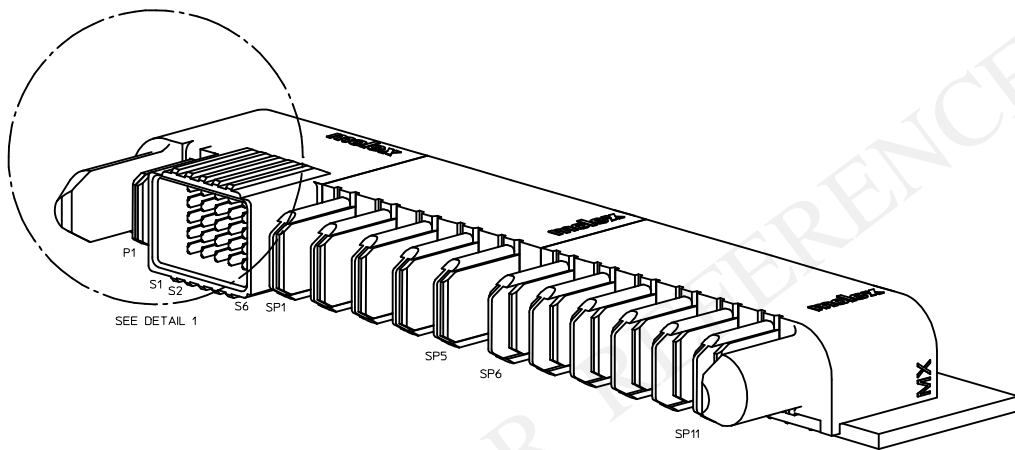
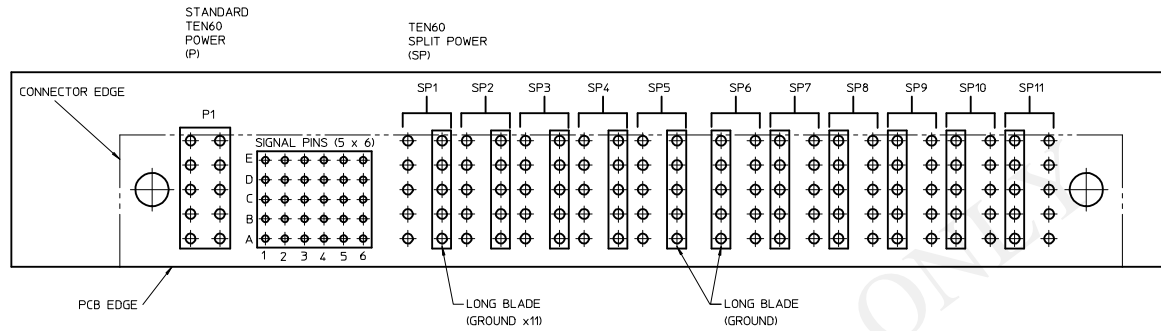
RECOMMENDED PCB LAYOUT AND KEEP OUT ZONE
(SEE SHEET 3 FOR PIN ASSIGNMENT)



DETAIL 1
SCALE 10:1

ENTER DESCRIPTION IEC NO. UCP2013-1517 DRAWN BY VLIN CHKD. VLIN APPR: VLIN REV. DESCRIPTION 2012/10/10 2012/10/17	QUALITY SYMBOLS ▽=0 ▽=0 ▽=0		GENERAL TOLERANCES (UNLESS SPECIFIED) <table border="1"> <thead> <tr> <th></th> <th>mm</th> <th>INCH</th> </tr> </thead> <tbody> <tr> <td>4 PLACES</td> <td>±---</td> <td>±---</td> </tr> <tr> <td>3 PLACES</td> <td>±---</td> <td>±---</td> </tr> <tr> <td>2 PLACES</td> <td>±0.13</td> <td>±---</td> </tr> <tr> <td>1 PLACE</td> <td>±0.25</td> <td>±---</td> </tr> <tr> <td>0 PLACE</td> <td>±---</td> <td>±---</td> </tr> </tbody> </table>			mm	INCH	4 PLACES	±---	±---	3 PLACES	±---	±---	2 PLACES	±0.13	±---	1 PLACE	±0.25	±---	0 PLACE	±---	±---	DIMENSION STYLE MM/IN	SCALE 4:1	DESIGN UNITS METRIC	THIRD ANGLE PROJECTION
		mm	INCH																							
	4 PLACES	±---	±---																							
	3 PLACES	±---	±---																							
2 PLACES	±0.13	±---																								
1 PLACE	±0.25	±---																								
0 PLACE	±---	±---																								
	DRAWN BY DATE VLIN 2012/09/12		CHECKED BY DATE VLIN		TITLE TEN60 SPLIT POWER PLUG ASSY G-1P-30S-5SP-6SP-G																					
	APPROVED BY DATE VLIN 2012/10/10		MATERIAL NO. 171088-0022		DOCUMENT NO. SD-171088-0022		SHEET NO. 2 OF 3																			
DRAFT WHERE APPLICABLE MUST REMAIN WITHIN DIMENSIONS			THIS DRAWING CONTAINS INFORMATION THAT IS PROPRIETARY TO MOLEX INCORPORATED AND SHOULD NOT BE USED WITHOUT WRITTEN PERMISSION																							

PCB PIN ASSIGNMENT



DETAIL 1
SCALE 10:1

ENTER DESCRIPTION IEC NO. UCP2013-1517 U/DRAWN:VLIN 2012/10/10 CHKD: APPR:VLIN 2012/10/17	QUALITY SYMBOLS	GENERAL TOLERANCES (UNLESS SPECIFIED)	DIMENSION STYLE	SCALE	DESIGN UNITS	THIRD ANGLE PROJECTION	
	∇=0 ∇=0 ∇=0	4 PLACES ± --- ± --- 3 PLACES ± --- ± --- 2 PLACES ± 0.13 ± --- 1 PLACE ± 0.25 ± --- 0 PLACE ± --- ± ---	mm INCH --- --- --- --- --- --- --- ---	MM/IN	4:1	METRIC	☉ □ THIRD ANGLE PROJECTION
		ANGULAR ±1/2° DRAFT WHERE APPLICABLE MUST REMAIN WITHIN DIMENSIONS	DRAWN BY DATE VLIN 2012/09/12 CHECKED BY DATE APPROVED BY DATE VLIN 2012/10/10			TITLE TEN60 SPLIT POWER PLUG ASSY G-1P-30S-5SP-6SP-G molex	
			MATERIAL NO. 171088-0022	DOCUMENT NO. SD-171088-0022			SHEET NO. 3 OF 3