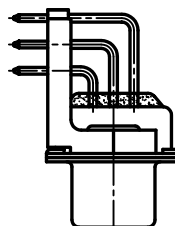
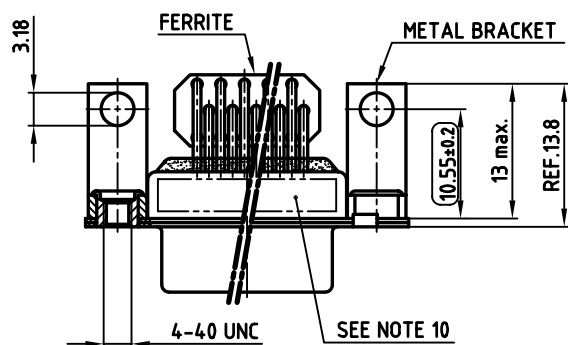
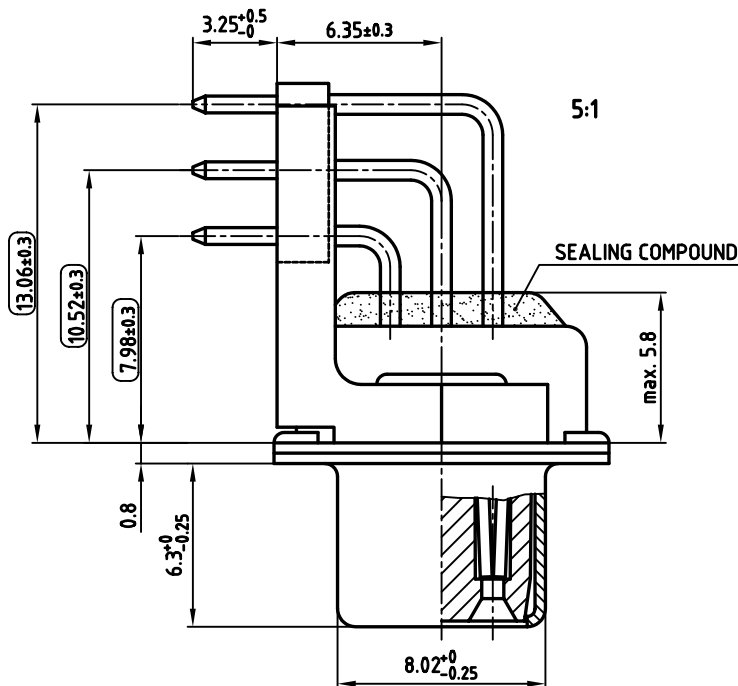
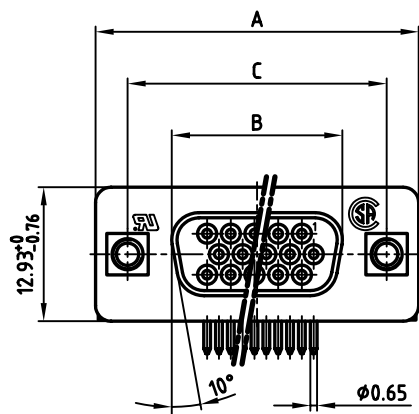


used for: D-SUB HD FILTER



POS.	A -0.76	B -0.25	C
15	31.19	16.46	25.00 +0.12/-0.13
26	39.52	24.79	33.30 +0.15/-0.1

POS.	CAPACITANCE 180pF ±20%	CAPACITANCE 370pF ±20%	CAPACITANCE 830pF ±20%
15	242A26580X	242A25620X	242A25660X
26	242A26590X	242A25630X	242A25670X

NOTES:

- METALSHELLS: STEEL; min. 320µ" TIN
- INSULATORS: PBT GF UL 94 V-0, BLACK
- CONTACTS: COPPER ALLOY
PLATING: 8µ" HARD GOLD OVER min. 50µ" NICKEL
- METAL BRACKET: STEEL; min. 320µ" TIN over 80µ" NICKEL
- THREADED INSERT: COPPER ALLOY; min. 200µ" TIN over 80µ" NICKEL
- P.C.B. HOLE DRILLINGS ON DRAWING NO.: 16V1H6B
- CAPACITANCE: SEE TABLE
- DIELECTRIC WITHSTANDING VOLTAGE: 300 VDC
- MAXIMUM TORQUE VALUE FOR THREAD: 6" LBS
- CONNECTOR IS PART MARKED: PART-NÖ. CONEC Y/WW
- = CHECK DIMENSION

APPROVAL # FREIGABE # DEBLOGGE # AUTORIZACION # APPROVAL

CUSTOMER APPROVAL DATE:

NAME: TITLE:

COMPANY NAME:

APPROVAL # FREIGABE # DEBLOGGE # AUTORIZACION # APPROVAL

THIS DRAWING MAY NOT BE COPIED OR REPRODUCED IN ANY WAY, AND MAY NOT BE PASSED ON TO A THIRD PARTY, WITHOUT WRITTEN PERMISSION. OWNERSHIP AND COPYRIGHT OF CONEC Gmbh DO NOT ALTER CAD DRAWING BY HAND

rev.	description	date	name
3 x b	Ä 2159	09.02.2005	Lehmen

tolerance	dim. in mm
2004	date
drawn	16.01. Lehmenkühler
appd.	16.01. Kühle
norm	DIN 41652
d-old	

scale: 2:1 (5:1)

material: SEE NOTES

title: D-SUB HD FILTER FEMALE 90°
 (b) 15-26pos. 0.350inch
 with metal bracket, threaded insert and ferrit

dwg no: AutoCAD 2000 DIN-A
 24K1A499 3 sh:1/1

part no: SEE TABLE