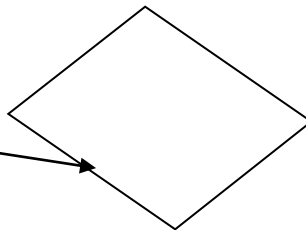
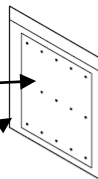


# molex® PACKAGING SPECIFICATION

88596-1546  
BUBBLE WRAP PAD INSIDE TOP  
AND BOTTOM OF CARTON  
QTY: (2)



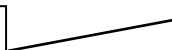
46966-2011 OR 885961016  
YELLOW SORBENT CLOTH  
QTY: (4)



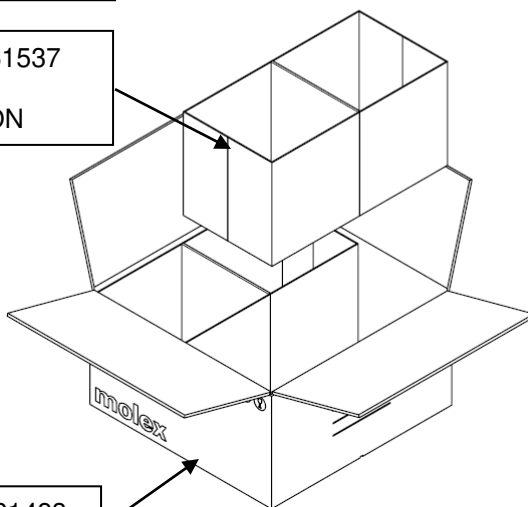
46996-2010 OR 885960969  
VENTED ZIP LOCK BAG  
QTY: (4)



967130003  
POLYBAG, 300 X 500 FLAT  
QTY: (4)

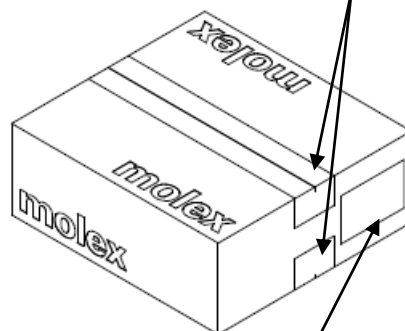


313005940 OR 885961537  
2-CELL DIVIDER  
QTY: (2) PER CARTON



967080007 OR 885961483  
CARTON  
QTY: (1)

ADHESIVE TAPE



PRODUCT I.D. & SAFETY AGENCY LABEL

REVISION: <b>B3</b>	ECR/ECN INFORMATION: EC No: 725172 DATE: 2022/10/21	TITLE: <b>BULK PACKAGING SPECIFICATION MICROFIT 200875 SERIES</b>	SHEET No. <b>1 of 4</b>
DOCUMENT NUMBER: <b>2008750000-PK</b>	CREATED / REVISED BY: <b>MKIPPER</b>	CHECKED BY: <b>SSOUSEK</b>	APPROVED BY: <b>FSMITH</b>

# molex<sup>®</sup> PACKAGING SPECIFICATION

## NOTES:

- 1) FOLD AND TAPE BOTTOM FLAPS OF CARTON. TAPE SHOULD EXTEND UP SIDES OF CARTON AT LEAST 76 MM (3 INCHES).
- 2) INSERT (2) BUBBLE WRAP PAD INSIDE TOP AND BOTTOM OF CARTON.
- 3) FOLD AND INSERT (2) 2-CELL CORRUGATED DIVIDERS INTO CARTON AS SHOWN.
- 4) POLYBAGS TO BE FILLED WITH QUANTITY OF PARTS AS SPECIFIED PER CHART.
- 5) ONE BAG OF PARTS IS TO BE INSERTED INTO EACH CELL OF CARTON.
- 6) MOISTURIZATION BAGS ARE TO BE PREPARED BY FIRST ADDING WATER TO PAD AS OUTLINED IN AS-45499-001 THEN INSERTING PAD INTO MOISTURIZATION BAG AND SEALING ZIP LOCK.
- 7) LAY MOISTURIZATION BAG DIRECTLY ON TOP OF PARTS INSIDE POLYBAG AND CLOSE POLYBAG EITHER BY HEAT SEALING OR WITH TWIST LOCK P/N 313017300.
- 8) CLOSE TOP FLAPS OF CARTON AND TAPE. TAPE SHOULD EXTEND DOWN SIDES OF CARTON AT LEAST 76 MM (3 INCHES).
- 9) ADD LABELS TO CARTONS AS REQUIRED.
- 10) FOR LARGER SHIPMENTS CARTONS MAY BE LAYERED ON A 1200 X 800 PALLET WITH (6) CARTONS PER LAYER AND A MAXIMUM OF (4) LAYERS.
- 11) CARTONS ON PALLET TO BE UNITIZED WITH BANDING AND STRETCH FILM PER PK-31301-625.

REVISION:	ECR/ECN INFORMATION:	TITLE:	SHEET No.
<b>B3</b>	EC No: 725172 DATE: 2022/10/21	<b>BULK PACKAGING SPECIFICATION MICROFIT 200875 SERIES</b>	<b>2 of 4</b>
DOCUMENT NUMBER:	CREATED / REVISED BY:	CHECKED BY:	APPROVED BY:
<b>2008750000-PK</b>	<b>MKIPPER</b>	<b>SSOUSEK</b>	<b>FSMITH</b>

# molex<sup>®</sup> PACKAGING SPECIFICATION

## NO PANEL MOUNTS

CKT SIZE	CONNECTOR MATERIAL NO.	POLYBAG LINER MATERIAL NO.(4PCS)	CARTON MATERIAL	PARTS PER BAG(x4) (SPQ)	PARTS PER CARTON (SPQ)
2	2008750002 2008751002	967130003	885961483	2300	9200
3	2008750003 2008751003	967130003	885961483	2000	8000
4	2008750004 2008751004	967130003	885961483	1700	6800
5	2008750005 2008751005	967130003	885961483	1500	6000
6	2008750006 2008751006	967130003	885961483	1200	4800
7	2008750007 2008751007	967130003	885961483	1000	4000
8	2008750008 2008751008	967130003	885961483	800	3200
9	2008750009 2008751009	967130003	885961483	TBD	TBD
10	2008750010 2008751010	967130003	885961483	TBD	TBD
11	2008750011 2008751011	967130003	885961483	TBD	TBD
12	2008750012 2008751012	967130003	885961483	TBD	TBD

REVISION: <b>B3</b>	ECR/ECN INFORMATION: EC No: 725172 DATE: 2022/10/21	TITLE: <b>BULK PACKAGING SPECIFICATION MICROFIT 200875 SERIES</b>	SHEET No. <b>3 of 4</b>
DOCUMENT NUMBER: <b>2008750000-PK</b>	CREATED / REVISED BY: <b>MKIPPER</b>	CHECKED BY: <b>SSOUSEK</b>	APPROVED BY: <b>FSMITH</b>

# molex<sup>®</sup> PACKAGING SPECIFICATION

## WITH PANEL MOUNTS

CKT SIZE	CONNECTOR MATERIAL NO.	POLYBAG LINER MATERIAL NO. (4PCS)	CARTON MATERIAL	PARTS PER BAG (x4) (SPQ)	PARTS PER CARTON (SPQ)
2	2008750102 2008751102	967130003	885961483	2000	8000
3	2008750103 2008751103	967130003	885961483	1800	7200
4	2008750104 2008751104	967130003	885961483	1600	6400
5	2008750105 2008751105	967130003	885961483	1400	5600
6	2008750106 2008751106	967130003	885961483	1000	4000
7	2008750107 2008751107	967130003	885961483	800	3200
8	2008750108 2008751108	967130003	885961483	700	2800
9	2008750109 2008751109	967130003	885961483	TBD	TBD
10	2008750110 2008751110	967130003	885961483	TBD	TBD
11	2008750111 2008751111	967130003	885961483	TBD	TBD
12	2008750112 2008751112	967130003	885961483	TBD	TBD

REVISION: <b>B3</b>	ECR/ECN INFORMATION: EC No: 725172 DATE: 2022/10/21	TITLE: <b>BULK PACKAGING SPECIFICATION MICROFIT 200875 SERIES</b>	SHEET No. <b>4 of 4</b>
DOCUMENT NUMBER: <b>2008750000-PK</b>	CREATED / REVISED BY: <b>MKIPPER</b>	CHECKED BY: <b>SSOUSEK</b>	APPROVED BY: <b>FSMITH</b>