

REVISIONS					
P	LTR	DESCRIPTION	DATE	DWN	APVD
	AM	ECO-20-004897	24AUG2020	SB	JB

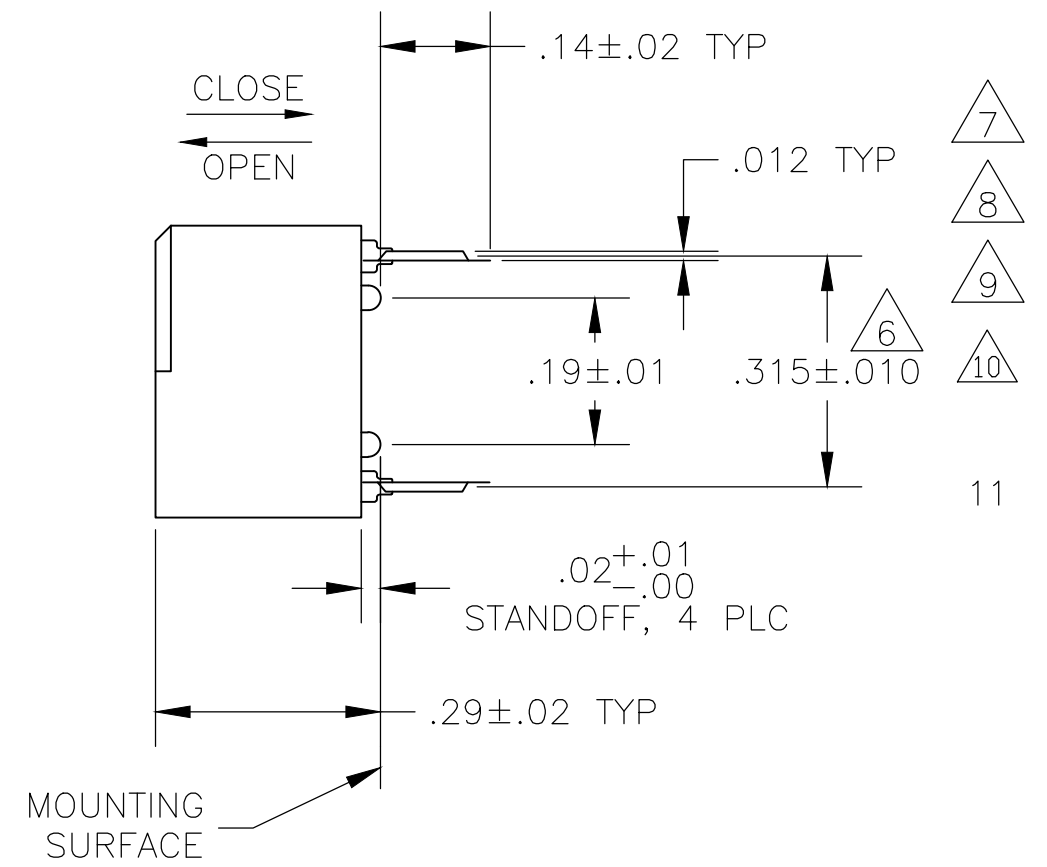
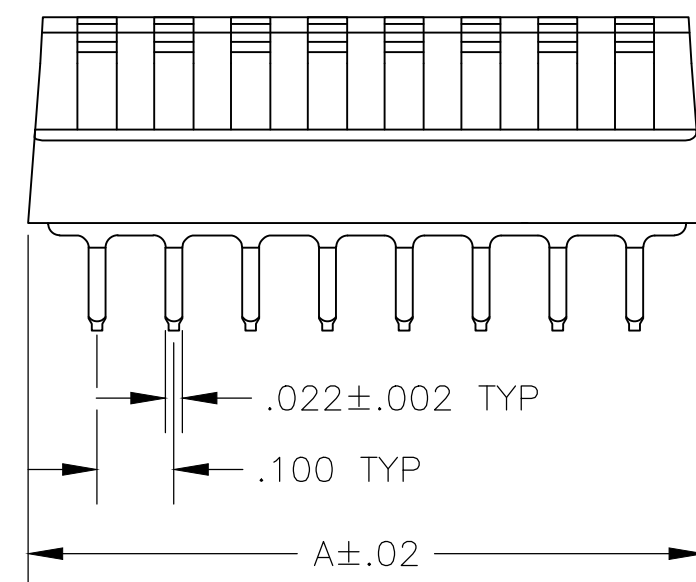
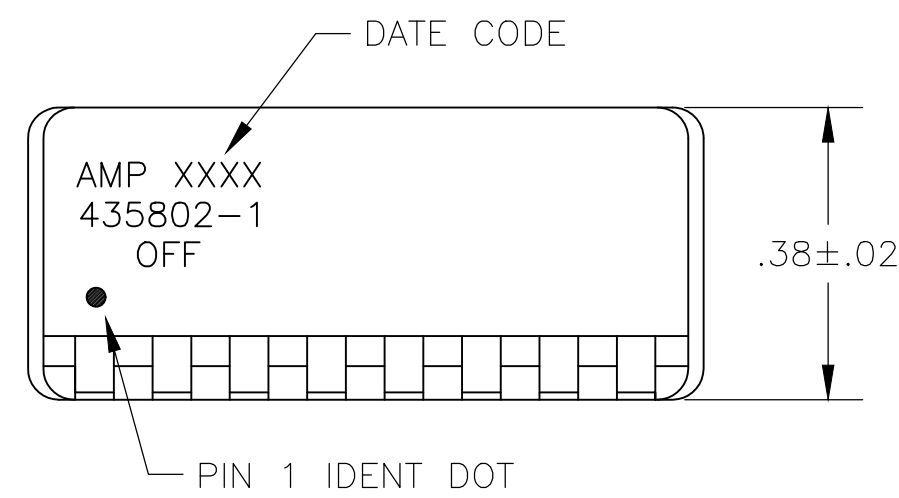
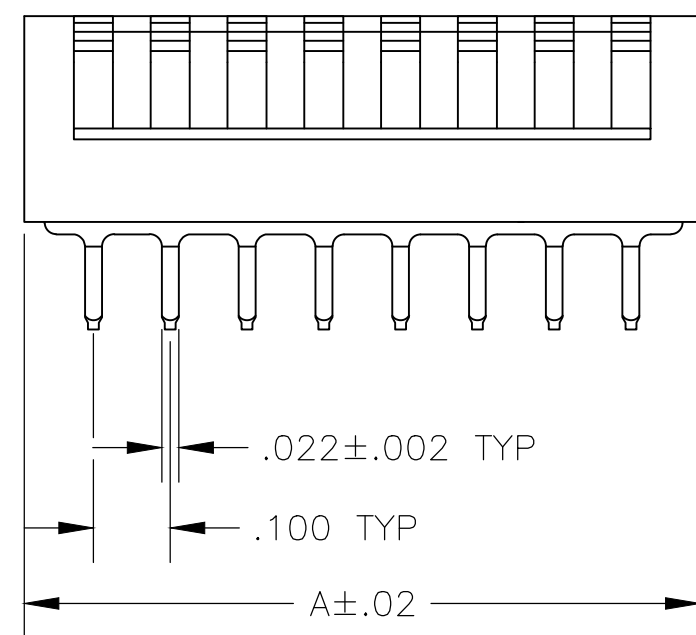
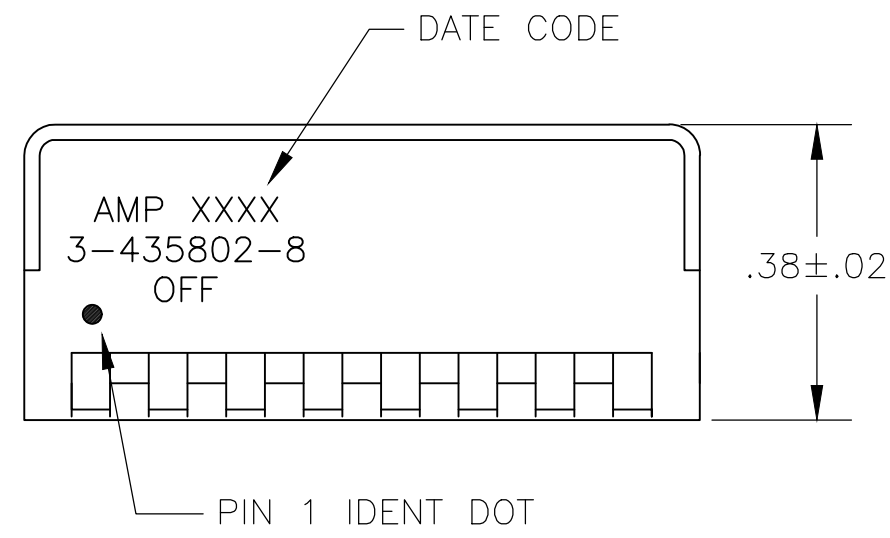


FIG 1

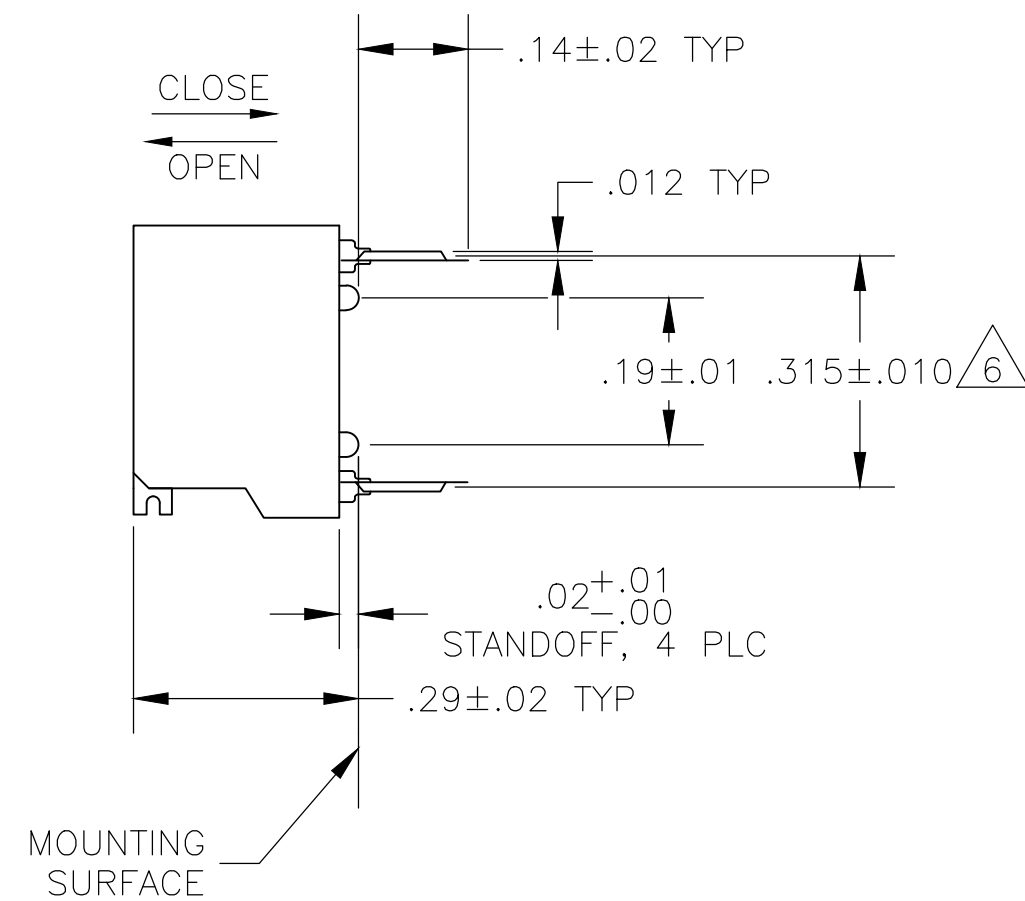
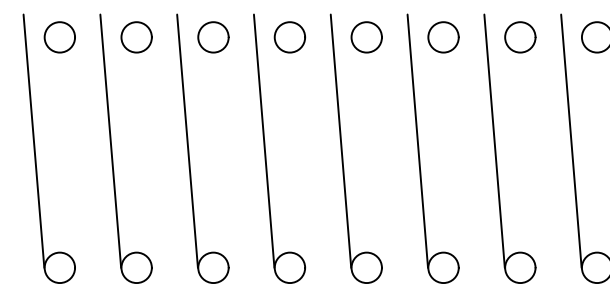


FIG 2

- △7 NO POSITION MARKING.
- △8 NO PART NO. MARKING.
- △9 STRIPPABLE TAPE SEAL, SEE FIGURE 8.
- △10 OBSOLETE PARTS: OBSOLETE CIS STREAMLINING PER D.RENAUD/D.SINISI
- 11 MARKS WILL BE ADDED BY LASER MARK PROCESS.

- 1 FOR ADDITIONAL SPECIFICATIONS SEE AMP PRODUCT SPEC 108-7519.
- 2 SWITCH SHOWN IN OPEN POSITION.
- 3 ALL CHARACTERS AND ROCKERS ARE WHITE, HOUSING IS BLACK.
- 4 LASER MARKING WILL VARY ON 2 AND 3 POSITION TOPS DUE TO SPACE RESTRICTIONS.
- △5 STRIPPABLE TRANSPARENT SEAL, SEE FIG 6.
- △6 .315 DIMENSION APPLIES AT TERMINAL TIPS. TERMINALS ARE .300^{+.010}_{-.000} AT MOUNTING SURFACE.

FIG	FIG 3A& 7	△	1.08	10	6-435802-3
FIG 2	FIG 3B	△9	.88	8	3-435802-8
SUPSD BY 1-435802-6	△10 OBSOLETE	△5	.58	5	3-435802-1
△10 SUPSD BY 2-5435802-9	△7 △8	△5	.88	8	3-435802-0
SUPSD BY 1-435802-0	△7 △8	△5	.48	4	2-435802-9
OBSOLETE	△7	△5	.28	2	2-435802-8
OBSOLETE	△7	△5	.28	2	2-435802-7
OBSOLETE	△7	△5	1.08	10	2-435802-6
OBSOLETE	FIG 4	△5	.88	8	2-435802-5
OBSOLETE	△7	△5	.88	8	2-435802-4
OBSOLETE	FIG 3A& 5	—	.48	4	2-435802-3
FIG 2			1.28	12	2-435802-2
FIG 2			1.18	11	2-435802-1
FIG 2			1.08	10	2-435802-0
FIG 2	FIG 3A	△5	.98	9	1-435802-9
FIG 2			.78	7	1-435802-8
FIG 2			.68	6	1-435802-7
FIG 2			.58	5	1-435802-6
FIG 2			.48	4	1-435802-5
SUPSD BY 435802-2	△5	△5	.38	3	1-435802-4
SUPSD BY 3-1437590-2	△10 OBSOLETE	—	.28	2	1-435802-3
△10 OBSOLETE	△7 △8	—	1.28	12	1-435802-2
FIG 1	FIG 3B	△5	.28	2	1-435802-0
FIG 2		△5	.88	8	435802-9
FIG 2		—	1.08	10	435802-8
△10 SUPSD BY 5435802-7	FIG 3A	—	.98	9	435802-7
FIG 2		—	.78	7	435802-6
FIG 2		—	.68	6	435802-5
FIG 2		—	.58	5	435802-4
FIG 2		—	.48	4	435802-3
FIG 2	FIG 3A	—	.38	3	435802-2
FIG 2	FIG 3A	—	.88	8	435802-1
HOUSING	MARKING	PROTECTIVE SEAL	A	NO OF POSN	PART NO.

435802-1 SHOWN

THIS DRAWING IS A CONTROLLED DOCUMENT.

DIMENSIONS: INCHES	TOLERANCES UNLESS OTHERWISE SPECIFIED:	DWN R. TALLEY 9-19-89	TE Connectivity Ltd.
0 PLC ± -	1 PLC ± -	CHK R. MILLER 9-19-89	
2 PLC ± -	3 PLC ± .005	APVD H. LEITER 9-19-89	SWITCH ASSY, DIP, TYPE C, 7000 SERIES, SPST, SIDE ACTUATED
4 PLC ± -	ANGLES ± -	PRODUCT SPEC	
MATERIAL HOUSING & ROCKERS: POLYESTER CONTACTS: BERYLLIUM COPPER	FINISH CONTACTS: PLATED .000030 MIN GOLD IN CONTACT AREA OVER .000050 MIN NICKEL	APPLICATION SPEC	RESTRICTED TO
WEIGHT -		SIZE A2	CAGE CODE 00779
CUSTOMER DRAWING		DRAWING NO C=435802	SCALE 4:1
		SHEET 1 OF 2	REV AM

REVISIONS					
P	LTR	DESCRIPTION	DATE	DWN	APVD
-	-	SEE SHEET 1	-	-	-

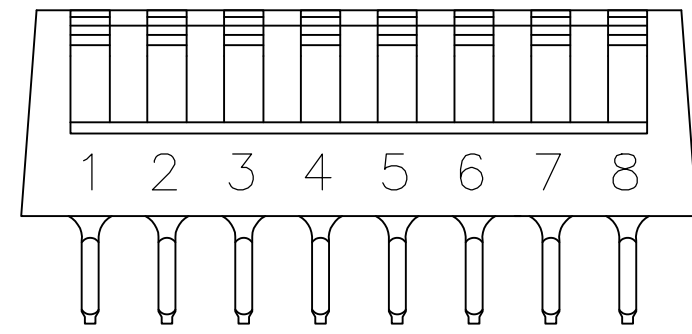


FIG 3A

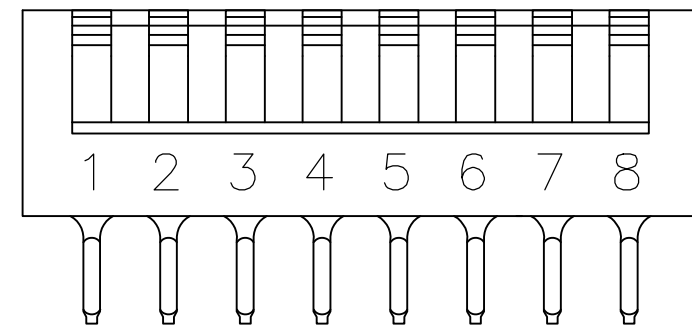


FIG 3B

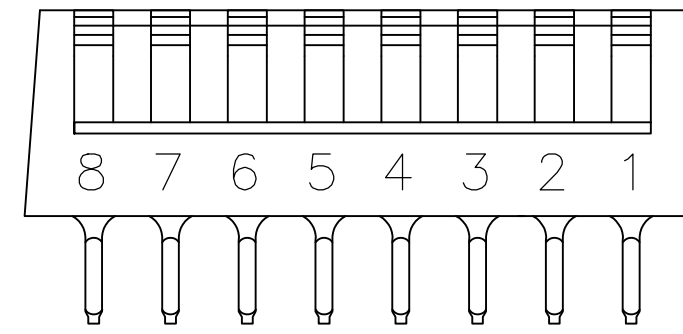


FIG 4

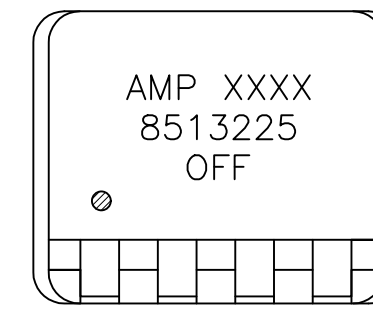
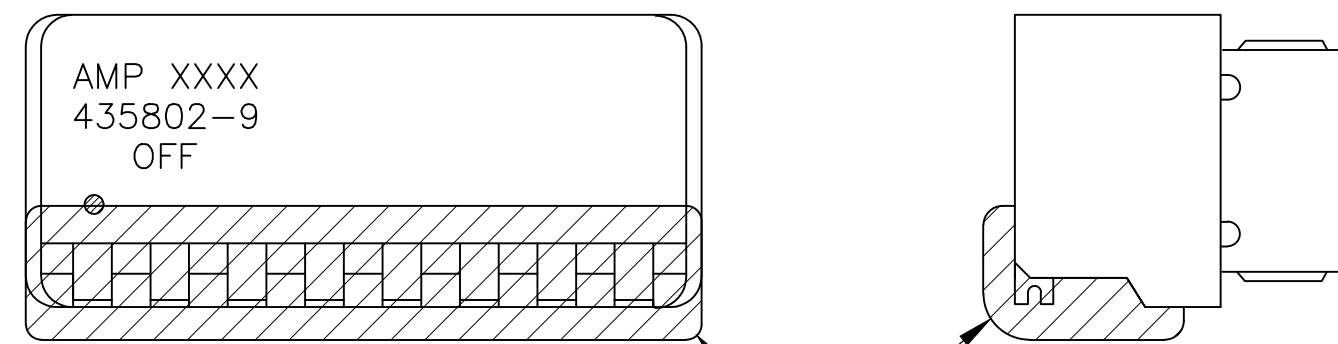
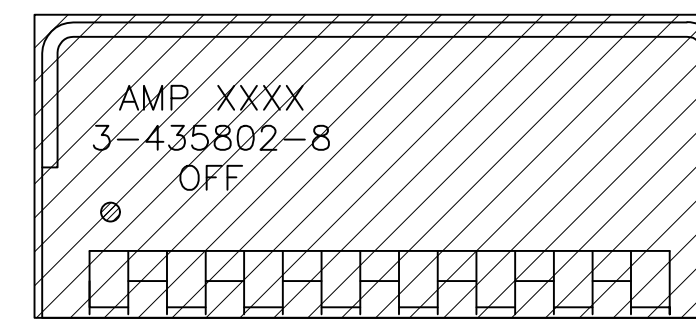


FIG 5



PROTECTIVE SEAL
FIG 6



PROTECTIVE SEAL

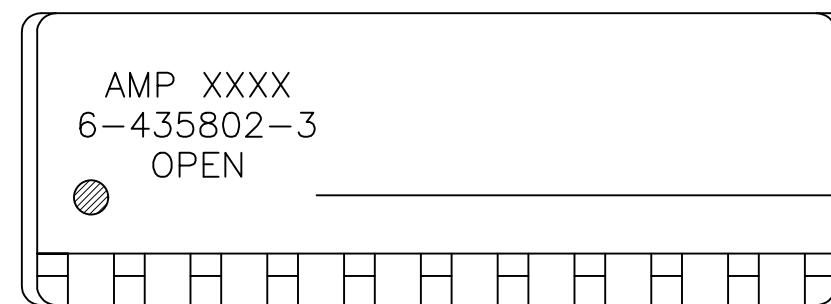


FIG 7

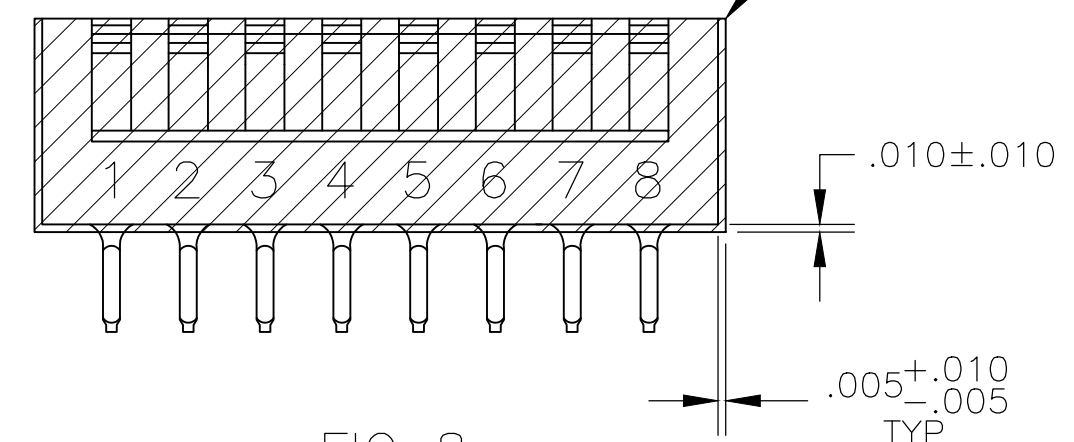


FIG 8

THIS DRAWING IS A CONTROLLED DOCUMENT.		DWN R. TALLEY 9-19-89	TE Connectivity Ltd.			
DIMENSIONS: INCHES		CHK R. MILLER 9-19-89				NAME SWITCH ASSY, DIP, TYPE C, 7000 SERIES, SPST, SIDE ACTUATED
TOLERANCES UNLESS OTHERWISE SPECIFIED:		APVD H. LEITER 9-19-89	SIZE A2	CAGE CODE 00779	DRAWING NO C=435802	RESTRICTED TO -
0 PLC ± - 1 PLC ± - 2 PLC ± - 3 PLC ± .005 4 PLC ± - ANGLES ± -		PRODUCT SPEC -	SCALE 4:1			SHEET 2 OF 2
MATERIAL SEE SHEET 1		FINISH SEE SHEET 1	CUSTOMER DRAWING			REV AM