



key-operated switch Siemens, 22 mm, round, plastic, lock number SSG10, with 2 keys, 3 switch positions I>O<II, momentary contact type, actuating angle 2x45°, 10:30h/12h/13:30h, key removal O Z=50-unit packaging

<b>product brand name</b>	SIRIUS ACT
<b>product designation</b>	Key-operated switches
<b>design of the product</b>	Actuating/signaling element
<b>product type designation</b>	3SU1
<b>product line</b>	Plastic, black, 22 mm
<b>manufacturer's article number of included key</b>	<a href="#">3SU1950-0FP80-0AA0</a>
<b>Actuator</b>	
<b>principle of operation of the actuating element</b>	momentary contact, 2x45° (10:30 h/12 h/13:30 h), return on both sides
<b>product extension optional light source</b>	No
<b>color</b>	
• of the actuating element	silver
<b>material of the actuating element</b>	metal
<b>shape of the actuating element</b>	Key
<b>outer diameter of the actuating element</b>	29.5 mm
<b>number of switching positions</b>	3
<b>switch position for key distraction</b>	O
<b>actuating angle</b>	
• clockwise	45°
• anticlockwise	45°
<b>lock make</b>	Siemens
<b>key number</b>	SSG10
<b>Front ring</b>	
<b>product component front ring</b>	Yes
<b>design of the front ring</b>	Standard
<b>material of the front ring</b>	plastic
<b>color of the front ring</b>	black
<b>General technical data</b>	
<b>protection class IP</b>	IP66, IP67, IP69(IP69K)
• of the terminal	IP20
<b>degree of protection NEMA rating</b>	1, 2, 3, 3R, 4, 4X, 12, 13
<b>shock resistance</b>	
• according to IEC 60068-2-27	sinusoidal half-wave 15g / 11 ms
• for railway applications according to EN 61373	Category 1, Class B
<b>vibration resistance</b>	
• according to IEC 60068-2-6	10 ... 500 Hz: 5g
• for railway applications according to EN 61373	Category 1, Class B
<b>operating frequency maximum</b>	1 800 1/h
<b>mechanical service life (switching cycles) typical</b>	1 000 000
<b>reference code according to IEC 81346-2</b>	S

<b>Substance Prohibitance (Date)</b>	10/01/2014
<b>Safety related data</b>	
B10 value with high demand rate according to SN 31920	500 000
<b>proportion of dangerous failures</b>	
• with low demand rate according to SN 31920	20 %
• with high demand rate according to SN 31920	20 %
failure rate [FIT] with low demand rate according to SN 31920	100 FIT
<b>Ambient conditions</b>	
<b>ambient temperature</b>	
• during operation	-25 ... +70 °C
• during storage	-40 ... +80 °C
environmental category during operation according to IEC 60721	3M6, 3S2, 3B2, 3C3, 3K6 (with relative air humidity of 10 ... 95%)
<b>Installation/ mounting/ dimensions</b>	
<b>height</b>	29.5 mm
<b>width</b>	29.5 mm
<b>shape of the installation opening</b>	round
<b>mounting diameter</b>	22.3 mm
<b>positive tolerance of installation diameter</b>	0.4 mm
<b>mounting height</b>	61 mm
<b>installation width</b>	29.5 mm
<b>installation depth</b>	25.4 mm
<b>Certificates/ approvals</b>	
<b>Further information</b>	

Information- and Downloadcenter (Catalogs, Brochures,...)

<https://www.siemens.com/ic10>

Industry Mall (Online ordering system)

[https://mall.industry.siemens.com/mall/en/en/Catalog/product?mfb=3SU1000-5BM01-0AA0-Z\\_X90](https://mall.industry.siemens.com/mall/en/en/Catalog/product?mfb=3SU1000-5BM01-0AA0-Z_X90)

Cax online generator

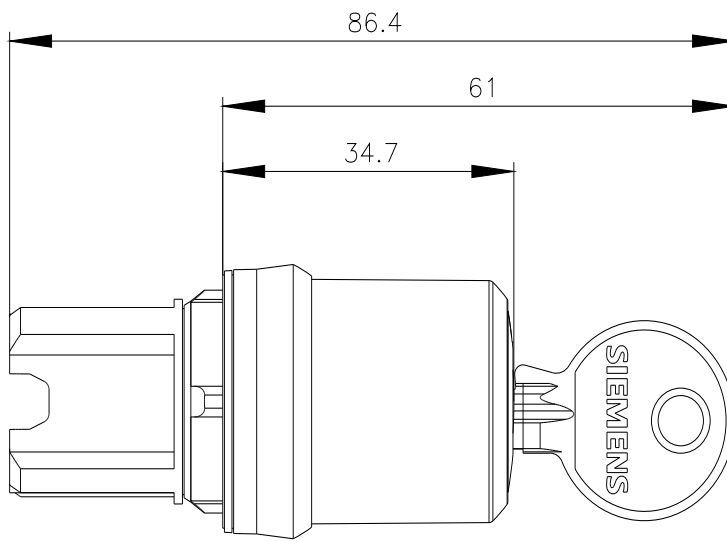
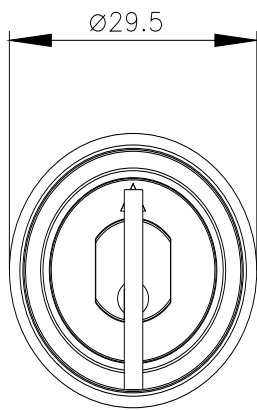
[http://support.automation.siemens.com/WW/CAXorder/default.aspx?lang=en&mfb=3SU1000-5BM01-0AA0-Z\\_X90](http://support.automation.siemens.com/WW/CAXorder/default.aspx?lang=en&mfb=3SU1000-5BM01-0AA0-Z_X90)

Service&Support (Manuals, Certificates, Characteristics, FAQs,...)

[https://support.industry.siemens.com/cs/ww/en/ps/3SU1000-5BM01-0AA0-Z\\_X90](https://support.industry.siemens.com/cs/ww/en/ps/3SU1000-5BM01-0AA0-Z_X90)

Image database (product images, 2D dimension drawings, 3D models, device circuit diagrams, EPLAN macros, ...)

[http://www.automation.siemens.com/bilddb/cax\\_de.aspx?mfb=3SU1000-5BM01-0AA0-Z\\_X90&lang=en](http://www.automation.siemens.com/bilddb/cax_de.aspx?mfb=3SU1000-5BM01-0AA0-Z_X90&lang=en)



last modified:

1/26/2022 