

2-963207-1 ✓ ACTIVE

AMP | Junior Power Timer

TE Internal #: 2-963207-1

Housing for Female Terminals, Wire-to-Wire, 4 Position, .196 in [5 mm] Centerline, Gray, Wire & Cable, Signal, Junior Power Timer

[View on TE.com >](#)



Connectors > Automotive Connectors > Automotive Housings > Timer Connector Housing



Connector & Housing Type: **Housing for Female Terminals**

Mating Tab Width: **2.8 mm [.11 in]**

Connector System: **Wire-to-Wire**

Number of Positions: **4**

Centerline (Pitch): **5 mm [.196 in]**

[All Timer Connector Housing \(589\)](#)

Features

Product Type Features

Connector Shape	Rectangular
Connector & Housing Type	Housing for Female Terminals
Connector System	Wire-to-Wire
Sealable	No
Hybrid Connector	No
Primary Locking Feature	Integrated in Housing
Connector & Contact Terminates To	Wire & Cable

Configuration Features

Number of Positions	4
Number of Rows	1

Electrical Characteristics

Nominal Voltage Architecture	16 V
------------------------------	------

Body Features



Cable Exit Angle	180°
Primary Product Color	Gray
Connector & Keying Code	B1

Contact Features

Contact Size	2.8mm
Contact Type	Receptacle
Mating Tab Width	2.8 mm[.11 in]
Contact Current Rating (Max)	10 A

Mechanical Attachment

Terminal Position Assurance	No
Strain Relief	Without
Mating Alignment Type	Keyed
Mating Alignment	With
Connector Mounting Type	Cable Mount (Free-Hanging)

Housing Features

Housing Material	PBT GF
Centerline (Pitch)	5 mm[.196 in]

Dimensions

Connector Height	21 mm[.826 in]
Product Width	37.75 mm[1.48 in]
Product Length	46.3 mm[1.82 in]

Usage Conditions

Operating Temperature (Max)	100 °C[212 °F]
Operating Temperature Range	-40 – 100 °C[-40 – 212 °F]

Operation/Application

Circuit Application	Signal
---------------------	--------

Packaging Features

Packaging Quantity	456
Packaging Method	Box

Other

Serviceable	No
Connector Position Assurance Capable	No

Product Compliance

[For compliance documentation, visit the product page on TE.com>](#)

EU RoHS Directive 2011/65/EU	Compliant
EU ELV Directive 2000/53/EC	Compliant
China RoHS 2 Directive MIIT Order No 32, 2016	No Restricted Materials Above Threshold
EU REACH Regulation (EC) No. 1907/2006	Current ECHA Candidate List: JUNE 2023 (235) Candidate List Declared Against: JAN 2023 (233) Does not contain REACH SVHC
Halogen Content	BFR/CFR/PVC Free, but Br/Cl >900 ppm in other sources.
Solder Process Capability	Not applicable for solder process capability

Product Compliance Disclaimer

This information is provided based on reasonable inquiry of our suppliers and represents our current actual knowledge based on the information they provided. This information is subject to change. The part numbers that TE has identified as EU RoHS compliant have a maximum concentration of 0.1% by weight in homogenous materials for lead, hexavalent chromium, mercury, PBB, PBDE, DBP, BBP, DEHP, DIBP, and 0.01% for cadmium, or qualify for an exemption to these limits as defined in the Annexes of Directive 2011/65/EU (RoHS2). Finished electrical and electronic equipment products will be CE marked as required by Directive 2011/65/EU. Components may not be CE marked. Additionally, the part numbers that TE has identified as EU ELV compliant have a maximum concentration of 0.1% by weight in homogenous materials for lead, hexavalent chromium, and mercury, and 0.01% for cadmium, or qualify for an exemption to these limits as defined in the Annexes of Directive 2000/53/EC (ELV). Regarding the REACH Regulation, the information TE provides on SVHC in articles for this part number is based on the latest European Chemicals Agency (ECHA) 'Guidance on requirements for substances in articles' posted at this URL: <https://echa.europa.eu/guidance-documents/guidance-on-reach>

Compatible Parts

 <p>TE Part # CAT-T4827-CH8172 Timer Connector Housing</p>	 <p>TE Part # CAT-T4827-T273 TIMER, RECEPTACLE AND TAB</p>	 <p>TE Part # 4-962340-1 4P FLACHSTCK GEH2,8</p>	 <p>TE Part # 1-929937-1 JPT REC 2.8 Contact SWS Au</p>
---	--	---	--

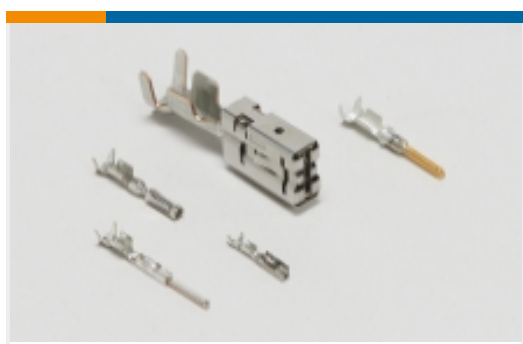
Also in the Series | [Junior Power Timer](#)



Automotive Connector Caps & Covers (5)



Automotive Housings(252)



Automotive Terminals(86)



Busbars & Terminals(1)



Connector Seals & Cavity Plugs(10)



Insertion & Extraction Tools(8)



Module Components(6)



Other Automotive Connector Accessories(1)



PCB Headers & Receptacles(1)

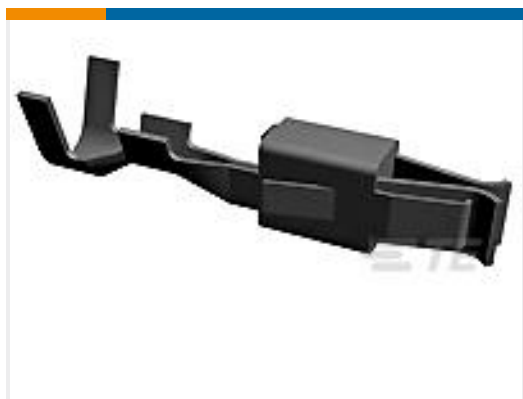
Customers Also Bought



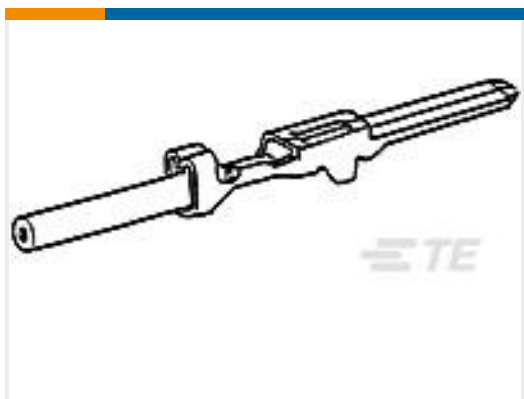
TE Part #1-963226-1
Timer Connector Housing



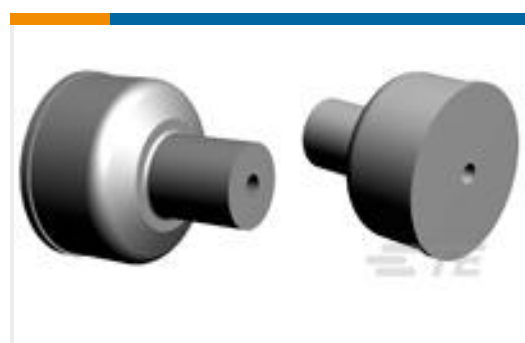
TE Part #HD34-24-14PN-059
DEUTSCH HD30 Housings



TE Part #1-929939-1
JPT REC 2.8 Contact SWS Au



TE Part #282377-1
070 MULTILOCK TAB CONTACT



TE Part #347707-1
0.5MM CABLE SEAL HC SILIC



TE Part #ASA015N00390235000
623 PLUG



TE Part #1-1102136-7
HA.16.STS.1.16.G

Documents



Product Drawings

4P J-P-TIM GEH KPL

English

CAD Files

Customer View Model

[ENG_CVM_2-963207-1_H1.2d_dxf.zip](#)

English

Customer View Model

[ENG_CVM_2-963207-1_H1.3d_igs.zip](#)

English

Customer View Model

[ENG_CVM_2-963207-1_H1.3d_stp.zip](#)

English

3D PDF

English

By downloading the CAD file I accept and agree to the [Terms and Conditions](#) of use.

Datasheets & Catalog Pages

Timer Interconnection System

English

Product Specifications

Application Specification

English