

**ROHM**  
SEMICONDUCTOR



## DESIGN KIT

### Wireless Power Medium Power Solution



#### CONTENT:

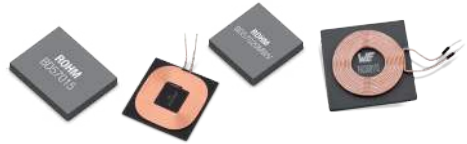
Transmitter Module  
Receiver Module  
LED Load Module  
Power Adapter

**Order Code 760 308 MP**  
**Version 1.0**

# DESIGN KIT

## Wireless Power

### Medium Power Solution

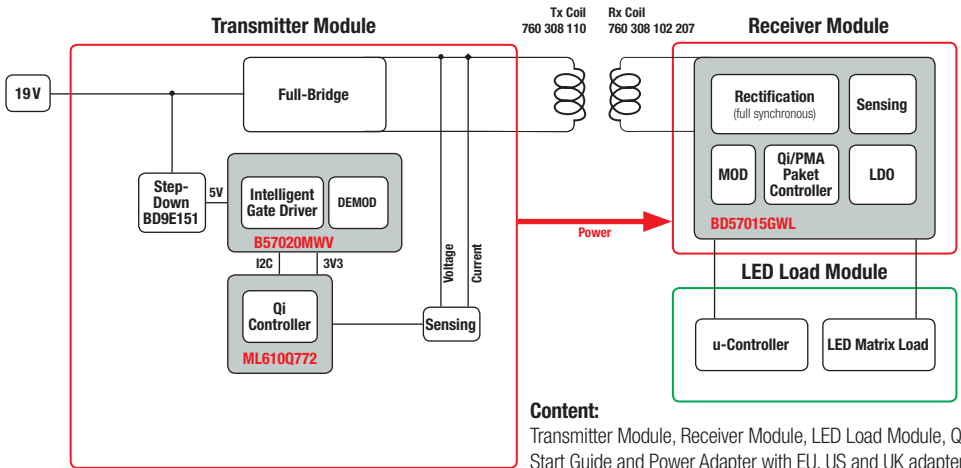


#### Added Values

- Plug & Play Wireless Power Design Kit, Medium Power Solution
- Qi standard version 1.2 compliant with extended power profile
- Strategic partnership ROHM Semiconductor with Würth Elektronik eiSos
- Based on the transmitter type MP-A7
- Excellent performance due to use of litz wire coil
- Complete and efficient solution based on Rx and Tx chipset
- Flexible and modular approach for fast integration of wireless power in your product design

#### Applications

- Smartphones, tablets
- Portable devices used in a clean area, where connectors pose a risk of polluting e.g. medical facilities and (industrial) clean rooms
- Devices with a large number of mating cycles to avoid connector damage
- Headsets
- Portable media players



#### Content:

Transmitter Module, Receiver Module, LED Load Module, Quick Start Guide and Power Adapter with EU, US and UK adapter

**Important information:** This Würth Elektronik and ROHM Semiconductor design kit contains reference components. These components correspond with the current product development status on the day of supply. Exchange of the reference components to components with up-to-date product development status is not carried out automatically. No liability is taken for the use of these reference components. Therefore, please request new samples prior to releases for series production and product release.

Please check datasheets on [www.we-online.com](http://www.we-online.com) and [www.rohm.com](http://www.rohm.com) for specifications.

Würth Elektronik eiSos GmbH & Co. KG, EMC & Inductive Solutions; ROHM Semiconductor GmbH. © 2016

#### More information on

[www.we-online.com/wirelesspower](http://www.we-online.com/wirelesspower)

[www.rohm.com/web/eu/wirelesspowerkit](http://www.rohm.com/web/eu/wirelesspowerkit)