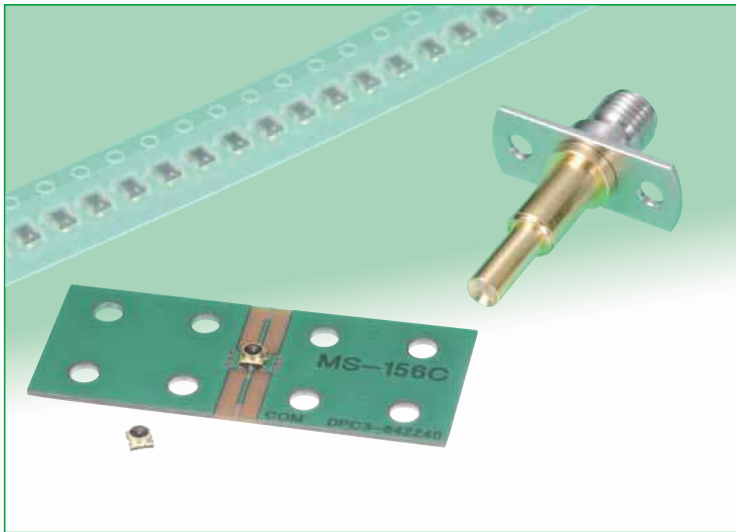


Subminiature Coaxial Switch 1.35 mm High, DC to 11 GHz

MS-156C Series

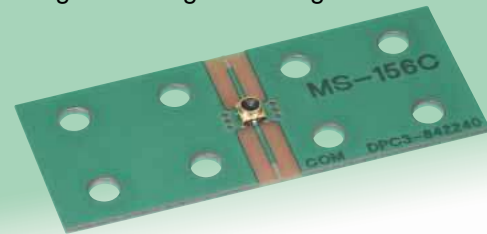
Halogen Free



Overview

Developed for inspection of high frequency circuits used in portable terminals. Verification of the circuit performance is accomplished by simply inserting the external plug in the board mounted receptacle. This action re-directs the circuit from normal condition to the plug side. Removing the plug restores circuit to its normal condition.

Space-saving design
Low profile -1.35 mm protrusion above the board.
Lightweight -0.014 g. total weight.



MS-156C

Features

1. Low insertion loss

- 0.15 dB typical at 2.5 GHz (not mated with the plug).
- 0.2 dB typical at 6 GHz (not mated with the plug).
- 0.4 dB typical at 11 GHz (not mated with the plug).

2. Space-saving design

- 2.3 mm x 2.3 mm occupied board space.

3. Low profile

- 1.35 mm protrusion above the board.

4. Lightweight

- 0.014 g. total weight

5. Durability

- 100 mating/unmating cycles, with corresponding plug.

6. Performs over a wide frequency range

- Applicable frequencies range over a wide band, from DC to 11 GHz.

7. Board placement with automatic equipment

- Packaged on tape-and-reel. Also available with a vacuum pick-up cap over each switch.

8. RoHS compliant

- All components and materials comply with the requirements of the EU Directive 2002/95/EC.

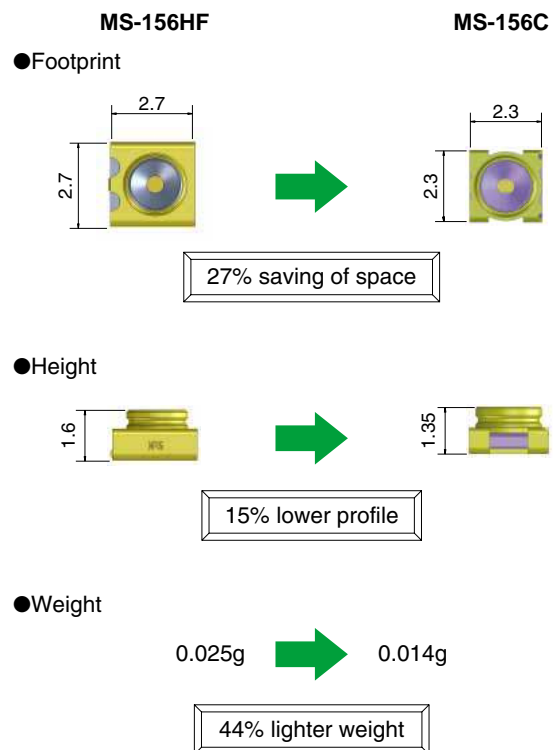
9. Halogen Free

- Chlorine, and bromine are not used in the receptacles.
*Definition according to IEC 61249-2-21.
Br 900 ppm max., Cl 900 ppm max., and Br + Cl 1500 ppm max.

Applications

Portable terminals, ETC, notebook computers (Bluetooth), wireless LAN, POS terminals, GPS terminals, PDA, and any small devices requiring verification of antenna/circuit performance.

Comparison with the existing MS-156HF



MS-156 Series Subminiature Coaxial Switch 1.55 mm High, DC to 11 GHz

Specifications

	Not mated with the plug	Mated (MS-156-HRMJ-3)
Operating temperature range	-40°C to +85°C	-40°C to +85°C
Rated power	2W	2W
Frequency range	DC to 11GHz	DC to 8GHz
V.S.W.R.	1.2 max. (DC to 2.5GHz) 1.3 max. (2.5GHz to 6.0GHz) 1.5 max. (6.0GHz to 11.0GHz)	1.4 max. (DC to 3.0GHz) 1.8 max. (3.0GHz to 8.0GHz)
Insertion loss	0.15 dB max. (DC to 2.5GHz) 0.2 dB max. (2.5GHz to 6.0GHz) 0.4 dB max. (6.0GHz to 11.0GHz)	0.5 dB max. (DC to 3.0GHz) 0.8 dB max. (3.0GHz to 6.0GHz) 0.9 dB max. (6.0GHz to 8.0GHz)
Isolation	20 dB min. (DC to 3.0GHz) 15 dB min. (3.0GHz to 6.0GHz) 12 dB min. (6.0GHz to 11.0GHz)	

Item	Specification	Conditions
1. Contact resistance	100 mΩ max.	100 mA max.
2. Insulation resistance	1000 MΩ min.	100 V DC
3. Withstanding voltage	No flashover or insulation breakdown	100 V AC / 1 minute
4. Vibration	No electrical discontinuity of 1 μs or more	Frequency: 10 to 55 Hz, single amplitude of 0.75 mm, 2 hours in each of the 3 axis.
5. Shock		Acceleration of 490 m/s ² , 6 ms duration, sine half-wave waveform, 3 cycles in each of the 3 axis
6. Temperature cycle	Contact resistance: 100 mΩ max. Insulation resistance: 10 MΩ min.	Temperature: -55°C → +5°C to +35°C → +85°C → +5°C to +35°C Time: 30 → 5 max. → 30 → 5 max. (Minutes) 50 cycles
7. High temperature exposure	Contact resistance: 100 mΩ max. Insulation resistance: 10 MΩ min.	96 hours at 85°C
8. Low temperature exposure	Contact resistance: 100 mΩ max. Insulation resistance: 10 MΩ min.	96 hours at -55°C
9. Humidity	Contact resistance: 100 mΩ max. Insulation resistance: 10 MΩ min.	96 hours at 40±2°C, and humidity of 90 to 95%
10. Durability (mating/un-mating, with corresponding plug)	Contact resistance: 100 mΩ max.	100 cycles

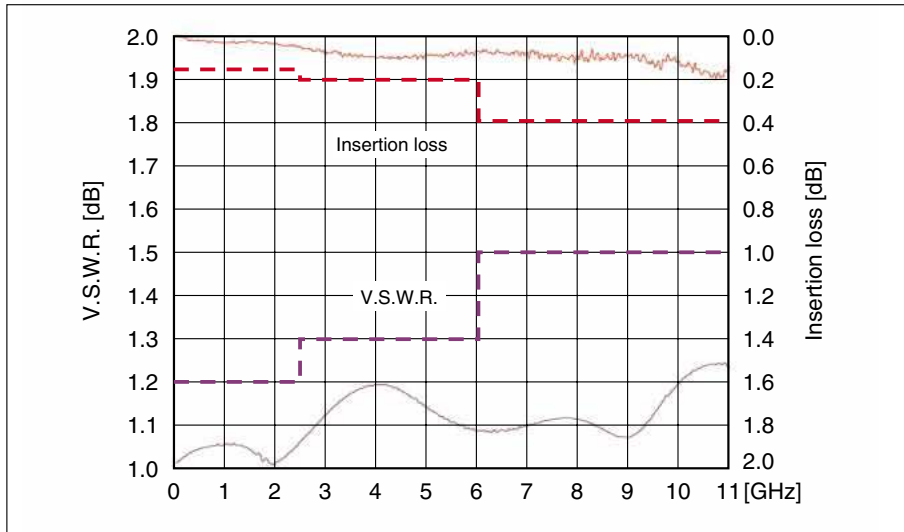
Note 1: Information contained in this catalog represents general requirements for this Series. Contact us for the drawings and specifications for a specific part number shown.

Materials

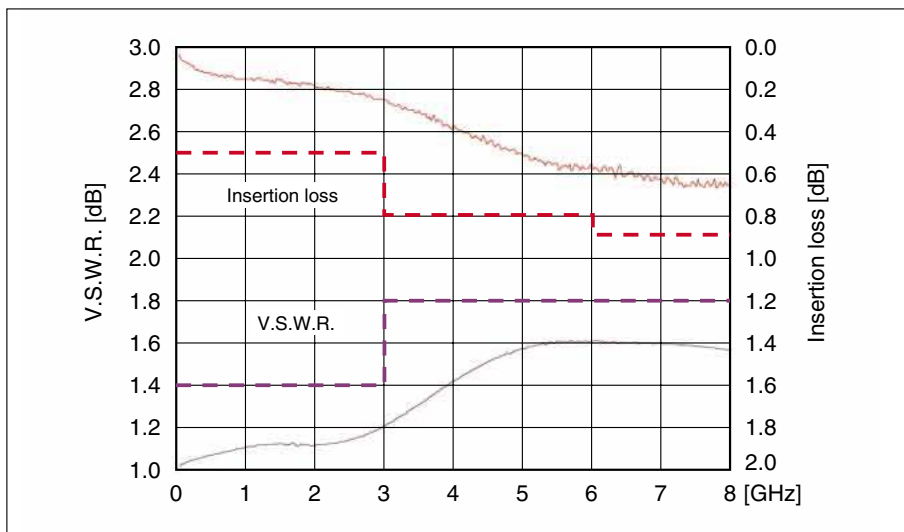
Part	Material	Finish	Remarks
Shell	Phosphor bronze	Gold plated	————
Insulator	6T Nylon	————	UL94HB
Common terminal	Cu-Ni-Si alloy	Selective gold plated	————
Antenna terminal	Phosphor bronze	Selective gold plated	————

◆ Typical Data

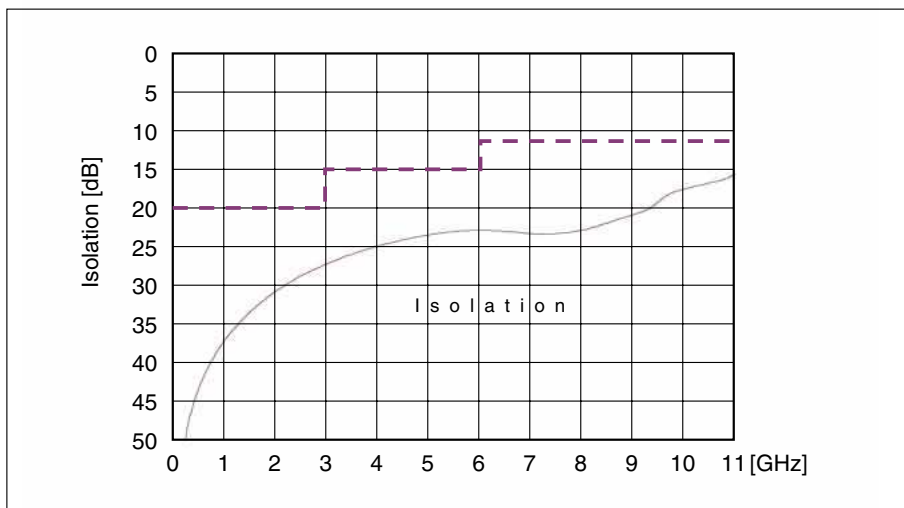
● NORMALLY CLOSED(N.C)



● NORMALLY OPEN(N.O)

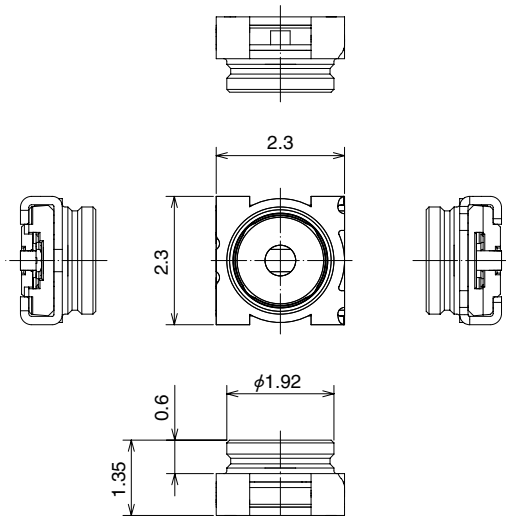


● ISOLATION



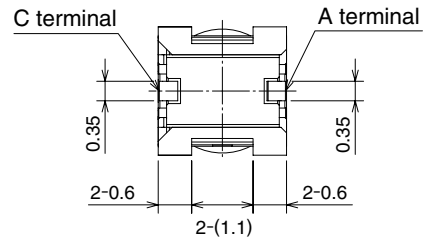
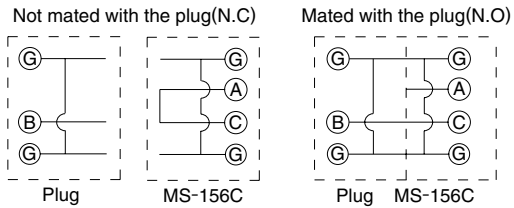
MS-156C Series Subminiature Coaxial Switch 1.35 mm High, DC to 11 GHz

■ Receptacle



Part Number	CL No.	Packaging
MS-156C	358-0251-2	10,000 pieces/reel
MS-156C(20)	358-0251-2-20	2,000 pieces/reel

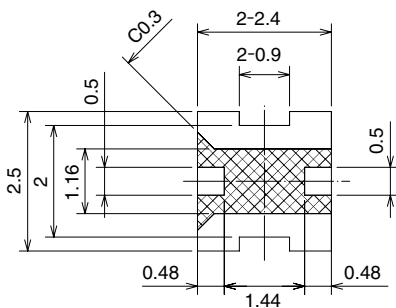
◆ Circuit diagram



◆ PCB mounting pattern and metal mask dimensions

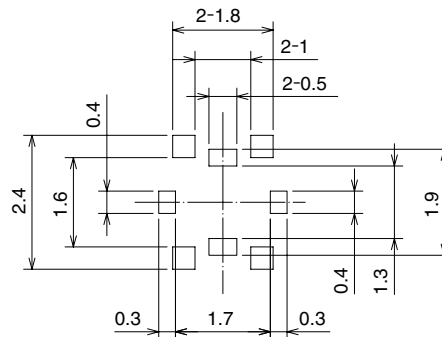
- * Request drawing of the specific part for exact dimensions and tolerances.
- * Specified dimensions must be followed to assure correct board placement and performance.

PCB mounting pattern




Metal mask dimensions

0.1 thick

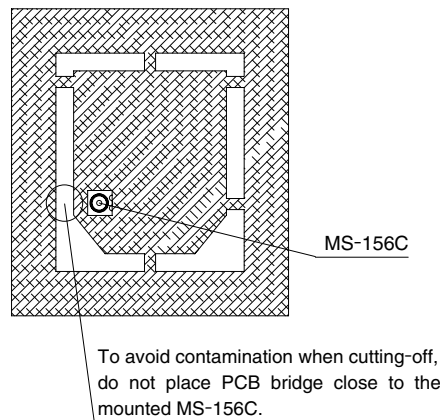


This area must be free of conductive traces and resist field.

◆ Precautions

1. This product is intended to be used for circuit inspection only. Consult us if any other application is considered.
2. Cross-hatched area shown on the PCB mounting pattern must be free of any conductive traces. Placing conductive traces in this area may affect performance and will void product warranties. When the bottom surface of the product (i.e., the  shaded area of the specified land dimensions diagram on the previous page) has been processed with a substrate copper trace and resist processing, Hirose Electric will not be able to warrant the product.
3. Do not use hand soldering for mounting of MS-156C.
Doing so could result in solder and flux wicking to the contact areas.
4. Exercise caution as not to allow any debris to enter the board mounted MS-156C when cutting PCB.

Recommended Mounting of MS-156C coaxial switch
on the PCB during the manufacturing process

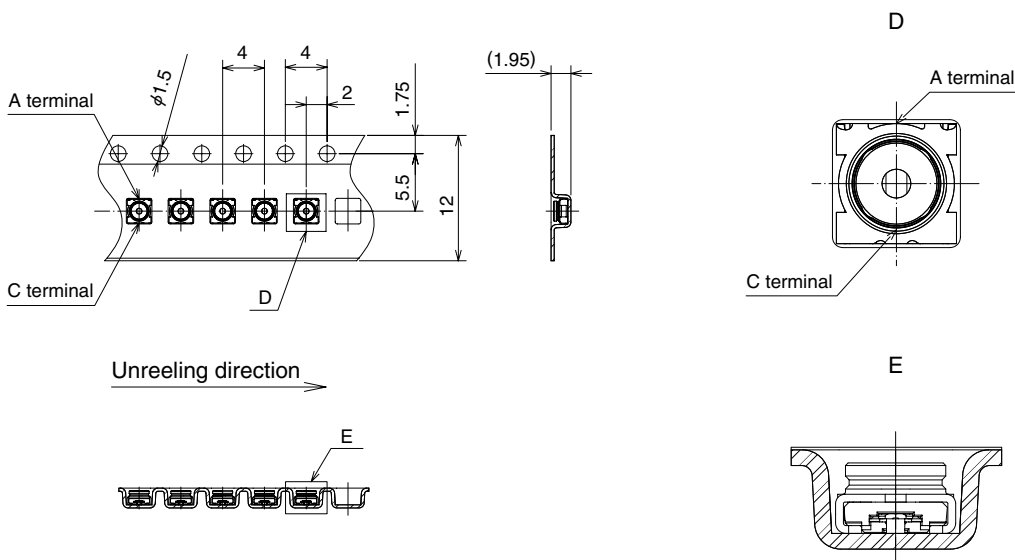


5. Do not use the washing process.
6. Please refrain from using the product in environments specifically affected by excessive vibration, shock, dust, high humidity, gases, very high temperatures and very low temperatures such as outdoor equipment. It might cause degradation or destruction of the product. Even if it endures during a short time, long time qualification is not guaranteed.
7. For use of this product, be sure to put contact area of plug on position P(P4 full view) perpendicularly.
8. Plugs can be roughly classified to two types.
 - For mass production line automatic check (Press down type)
 - For manual check (With retentive lock) : Unable to be used at production line.
9. When automatic inspections are to be performed during the manufacturing operations, request the MS-156 plug connector manual for examples of implementation.

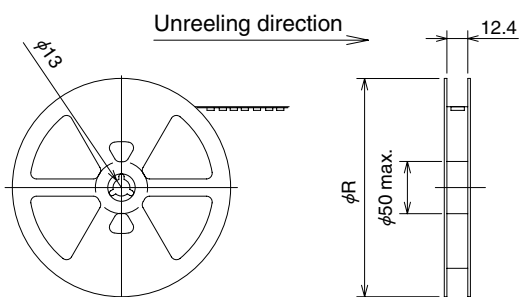
MS-156C Series ● Subminiature Coaxial Switch 1.55 mm High, DC to 11 GHz

◆ Packaging Specifications

● MS-156C

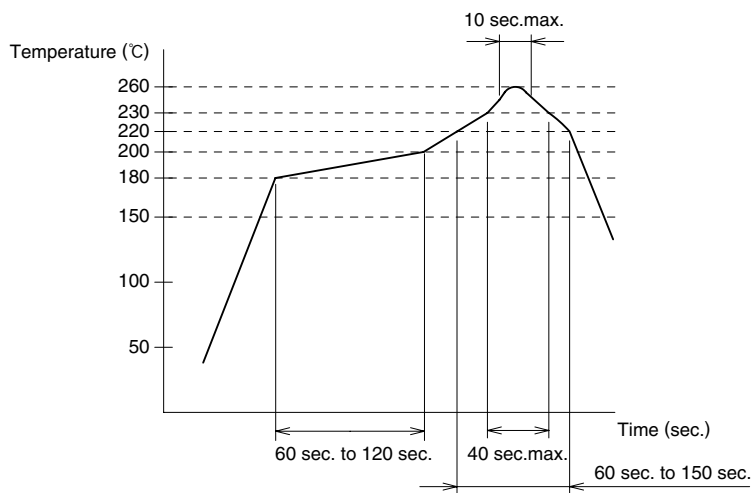


● Reel dimentions



Part Number	Reel Size	Packaging
MS-156C	R = φ380mm	10,000 pieces/reel
MS-156C(20)	R = φ180mm	2,000 pieces/reel

◆ Recommended Temperature Profile



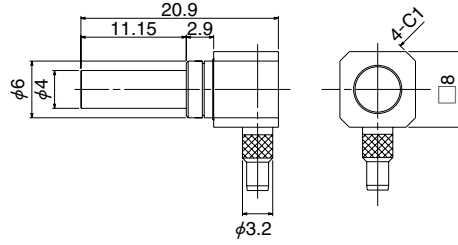
Using Lead-free Solder paste

① Maximum temperature	: 260°C
② Peak temperature time	: 10 sec. max.
③ 230°C min.	: 40 sec. max.
④ 220°C min.	: 60 sec. to 150 sec.
⑤ 180°C to 200°C	: 60 sec. to 120 sec.

Metal mask thickness : 0.1 mm
 Reflow cycles : 2 cycles

■ Plugs

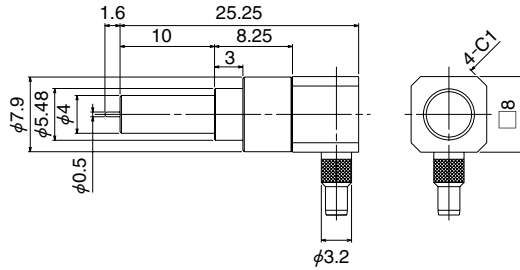
● Press down, right angle



Part Number	CL No.	Durability
MS-156-C(LP)-1	358-0173-0	10,000 Times

Applicable cable: 1.5D-HQEW, 1.5D-QEW (Fujikura Ltd.)

● Simplified lock, right angle

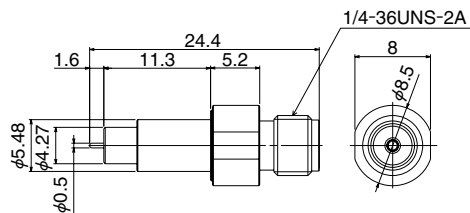


Part Number	CL No.	Durability
MS-156-C(LP)-2	358-0174-3	500 Times

Applicable cable: 1.5D-HQEW, 1.5D-QEW (Fujikura Ltd.)

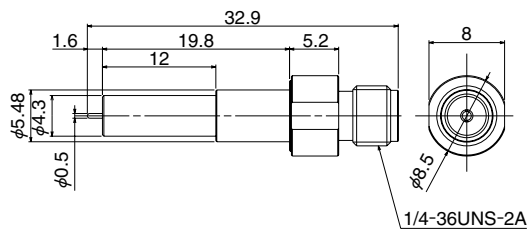
■ SMA Conversion Adapters

● Simplified lock, straight, short



Part Number	CL No.	Durability
MS-156-HRMJ-2	358-0170-2	500 Times

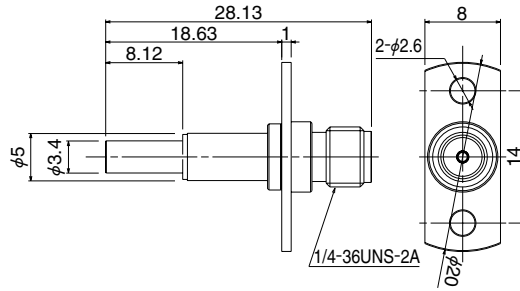
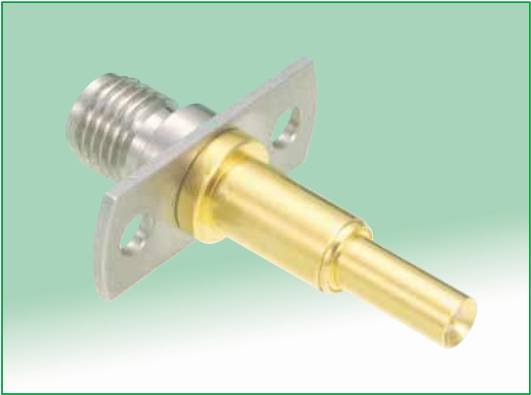
● Simplified lock, straight, long



Part Number	CL No.	Durability
MS-156-HRMJ-5	358-0177-1	500 Times

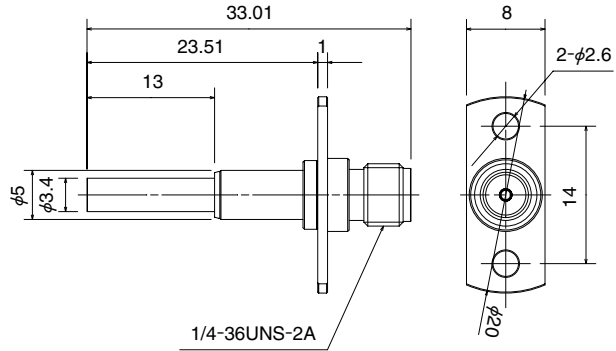
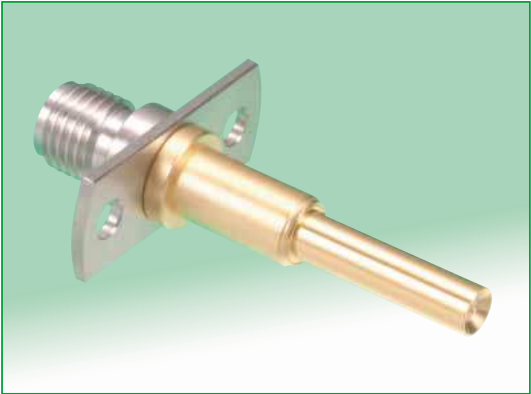
MS-156 Series Subminiature Coaxial Switch 1.55 mm High, DC to 11 GHz

● Press down, with flange, short



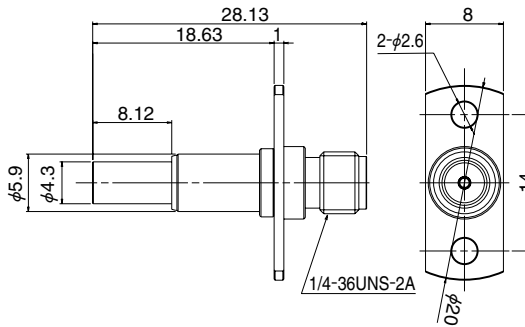
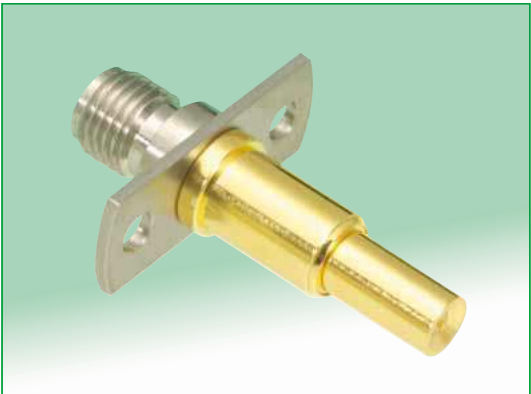
Part Number	CL No.	Durability
MS-156-HRMJ-3	358-0171-5	10,000 Times

● Press down, with flange, long



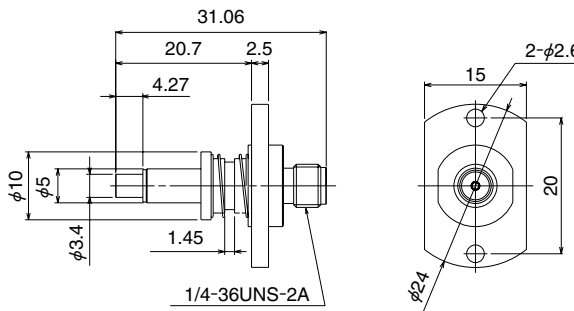
Part Number	CL No.	Durability
MS-156-HRMJ-14	358-0198-1	10,000 Times

● Press down, with flange
(Increased self alignment)



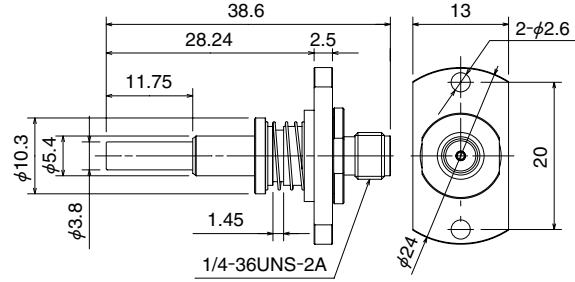
Part Number	CL No.	Durability
MS-156-HRMJ-6	358-0181-9	10,000 Times

● Floating



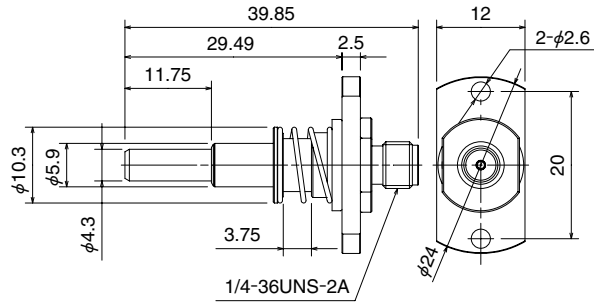
Part Number	CL No.	Durability
MS-156-HRMJ-9	358-0180-6	10,000 Times

●Floating (Self-Pressing)



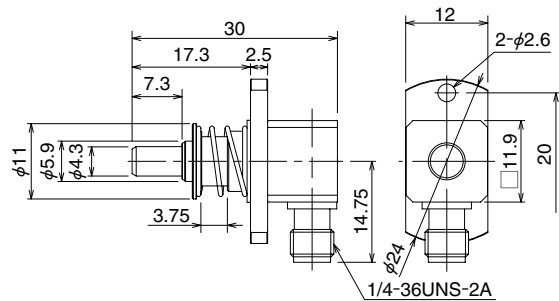
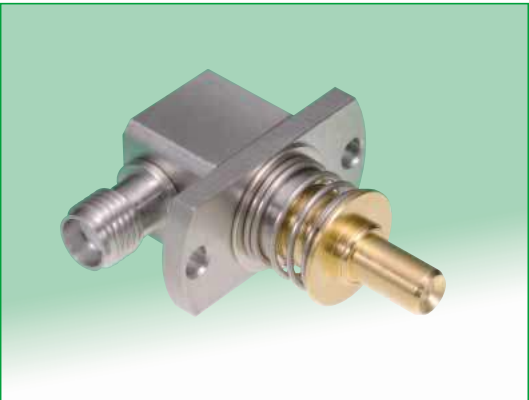
Part Number	CL No.	Durability
MS-156-HRMJ-10	358-0194-0	10,000 Times

●Floating (Self-Pressing)



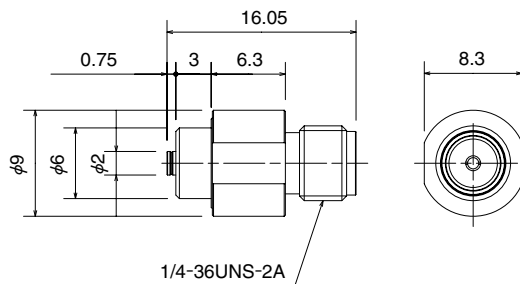
Part Number	CL No.	Durability
MS-156-HRMJ-12	358-0196-6	10,000 Times

●Floating (Self-Pressing)



Part Number	CL No.	Durability
MS-156LP-HRMJ-4	358-0205-5	10,000 Times

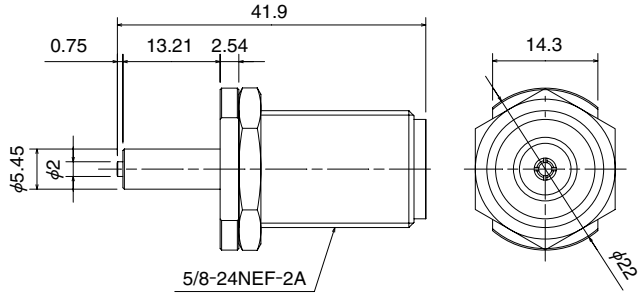
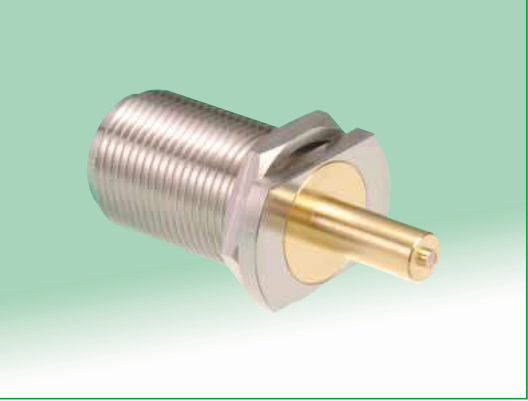
●Adapter for plug inspection



Part Number	CL No.	Durability
MS-156R-HRMJ-1	358-0188-8	500 Times

MS-156 Series ● Subminiature Coaxial Switch 1.55 mm High, DC to 11 GHz

● Adapter for plug inspection



Part Number	CL No.	Durability
MS-156R-NJ-1	358-0176-9	500 Times