

REFERENCE SPECIFICATIONS

-NFC 93425 (in compliance with HE 507)

PHYSICAL CHARACTERISTICS

- INSULATOR MATERIAL: THERMOPLASTIC UL94V0
- CONTACT MATERIAL: BRASS( SIGNAL CONTACT )  
GOLD OVER NICKEL
- ACCESSORIES: STAINLESS STEEL or BRASS,  
cadmium plated yellow passivation
- SHELLS: STEEL,  
cadmium plated yellow passivation

ELECTRICAL CHARACTERISTICS

- NOMINAL CURRENT: 7.5A (SIGNAL CONTACT)
- CONTACT RESISTANCE: <=7.3 m Ohms SIGNAL
- CONTACT/CONTACT : >=1000 V
- CONTACT/GROUND : >=1200 V
- INSULATION RESISTANCE: >=5000 MOhms
- CLIMATIC CATEGORY: 55/125/21  
TEMPERATURE RANGE -55°C TO +125°C  
DAMP HEAT STEADY STATE 56 DAYS  
SALT SPRAY 48 HOURS

# DBML13W3P400N

Series ←

Shell size: **E A B C D** ←  
see sheet 3

**M** :characteristic  
for the DM series

Front accessory definition  
see sheet 2

- Blank** :without accessory
- L** :threaded insert M3
- O** :threaded insert UNC 4-40
- V** :female screw UNC 4-40
- F** :floating mounting
- S** :spacer

Layout of contacts (see sheet 3) ←

Contacts ←

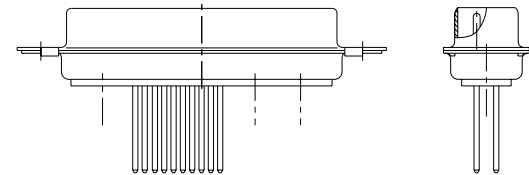
**P** :Pin

Termination type ←

**4** 3 level wire wrap

Plating ←

- 00** straight solder 500 matings/unmatings
- 43** straight solder 500 matings/unmatings for harsh environment
- N** :obligatory indication for HE 507 series ←



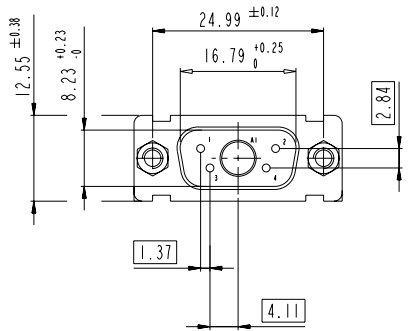
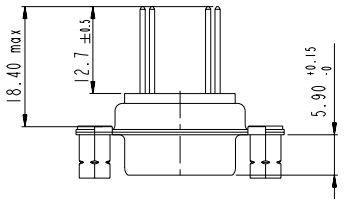
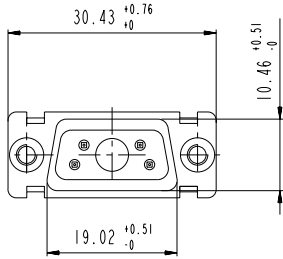
13W3 FOR EXAMPLE

www.fciconnect.com				surface	tolerance std	projection	mm	
				ISO 1302	ISO 406 ISO 1101	⊕	←	
				TOLERANCES UNLESS OTHERWISE SPECIFIED				
Dr	M PESSON	2006/11/14	ANGULAR	0.X	±0.3	size	A2	Scale
Eng	P LEGARE	2006/11/14	LINEAR	0.xx	±0.1	ECN	LS07-0273	2:1
Chr	P LEGARE	2006/11/14	0° ±2°	0.xxx	±0.05			
Appr	P LEGARE	2006/11/14	Product family	- Spec ref				
FCI SUB MALE DMW				cat no	C01-8637-1756		Rev.	B
mixed power 3 level wire wrap				catalog no	CUSTOMER		sheet 1 of 7	

Copyright FCI, FCI

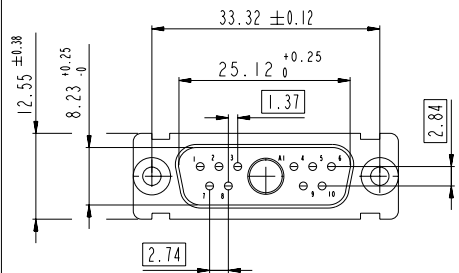
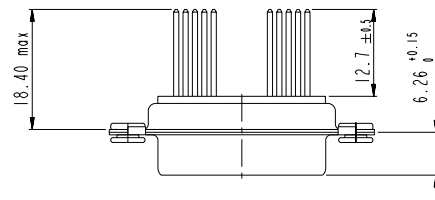
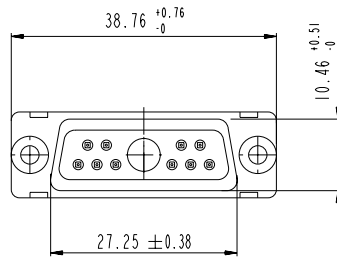


5W1

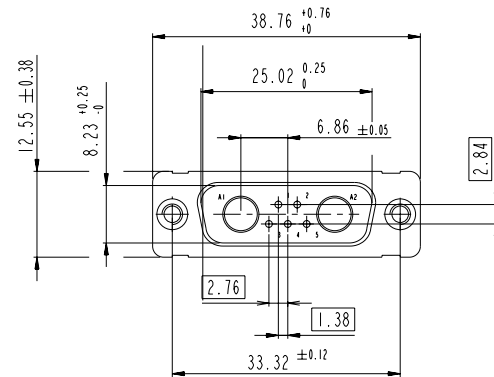
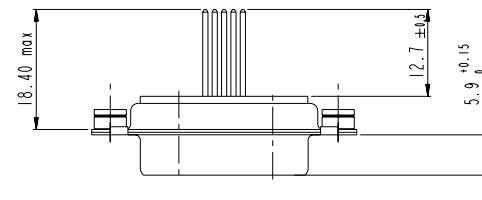
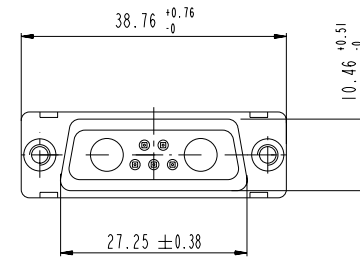


Floating signal contacts

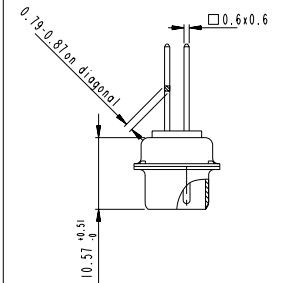
11W1



7W2

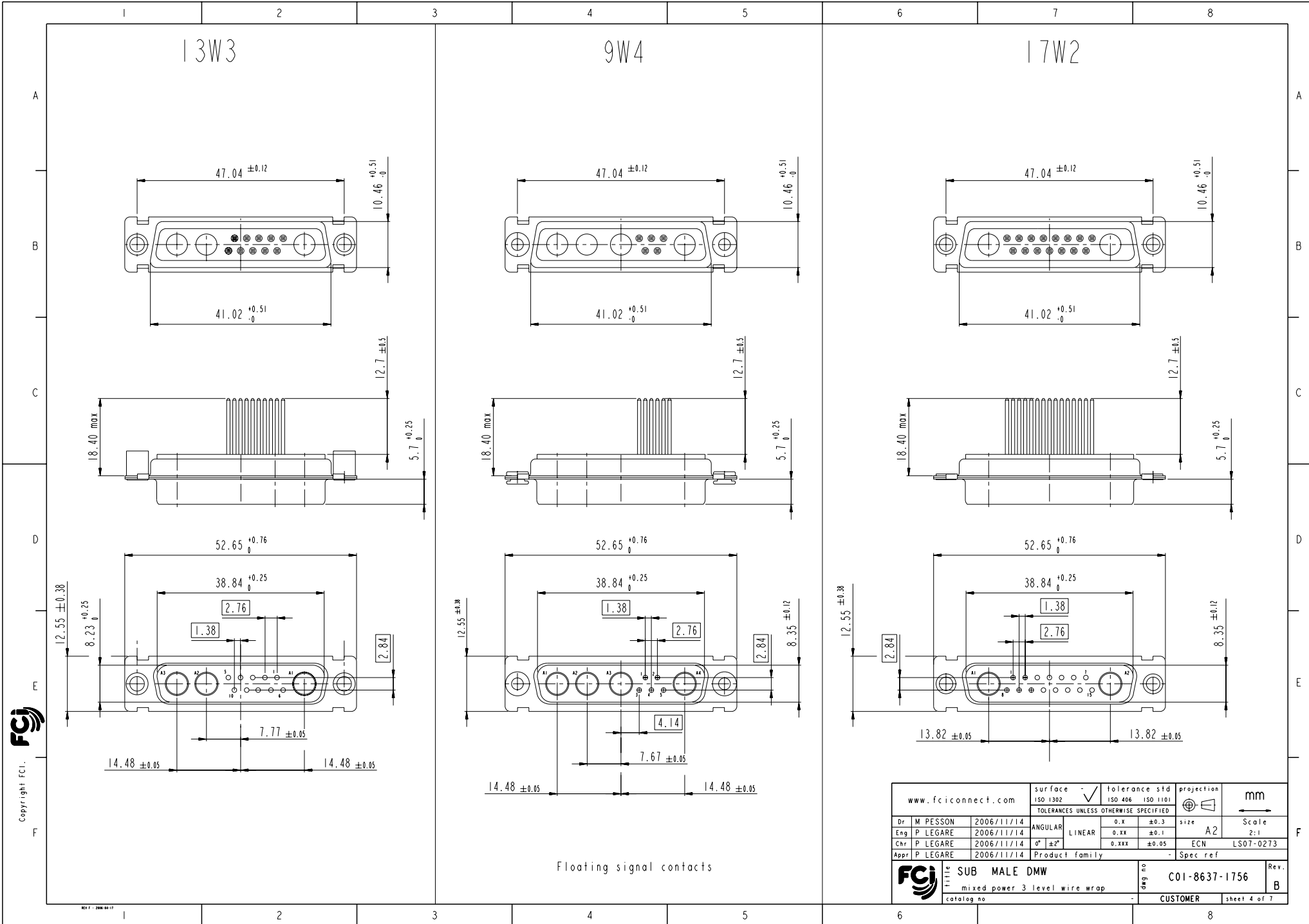


SIDE VIEW FOR LAYOUTS: E A B C



Copyright FCJ

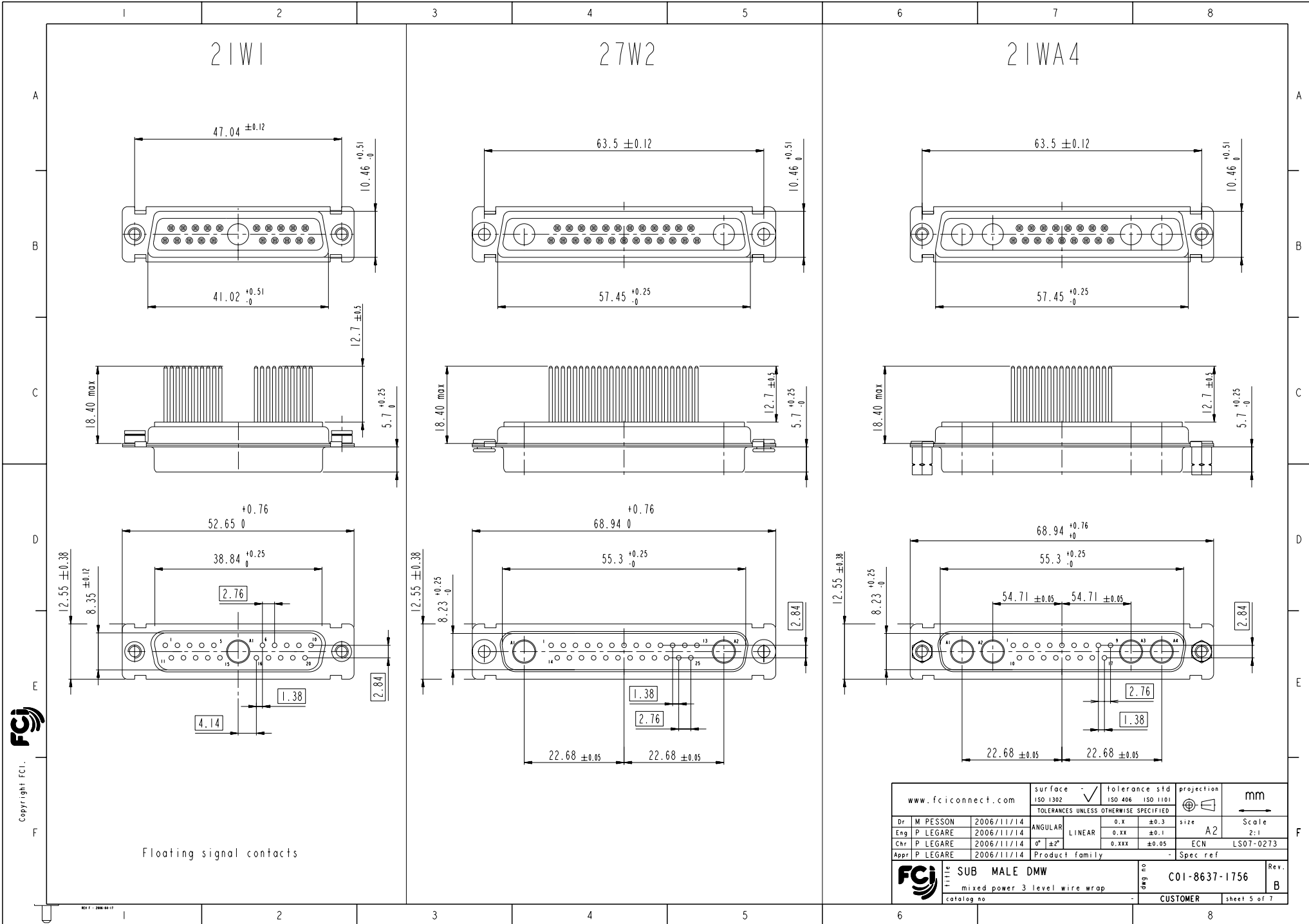
www.fciconnect.com		surface ISO 1302	tolerance std ISO 406 ISO 1101	projection	mm
		TOLERANCES UNLESS OTHERWISE SPECIFIED			
Dr M PESSON	2006/11/14	ANGULAR	0.X ±0.3	size A2	Scale 2:1
Eng P LEGARE	2006/11/14	LINEAR	0.XX ±0.1	ECN	LS07-0273
Chr P LEGARE	2006/11/14	0° ±2°	0.XXX ±0.05	Spec ref	
Appr P LEGARE	2006/11/14	Product family			
	TITLE SUB MALE DMW	cat no	C01-8637-1756	Rev. B	
	mixed power 3 level wire wrap				
		CUSTOMER		sheet 3 of 7	



Floating signal contacts

www.fciconnect.com		surface ISO 1302	tolerance std ISO 406 ISO 1101	projection mm
		TOLERANCES UNLESS OTHERWISE SPECIFIED		
Dr M PESSON	2006/11/14	ANGULAR	0.X ±0.3	size A2 Scale 2:1
Eng P LEGARE	2006/11/14	LINEAR	0.XX ±0.1	ECN LS07-0273
Chr P LEGARE	2006/11/14	0° ±2°	0.XXX ±0.05	Product family - Spec ref
Appr P LEGARE	2006/11/14			
<b>FCJ</b>	TITLE SUB MALE DMW	ang no	C01-8637-1756	Rev. B
	mixed power 3 level wire wrap	catalog no	CUSTOMER	sheet 4 of 7

Copyright FCI. **FCJ**

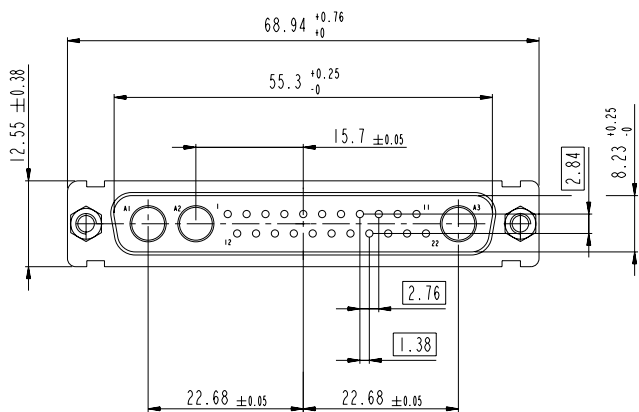
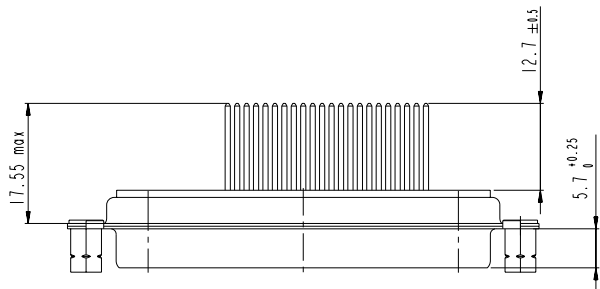
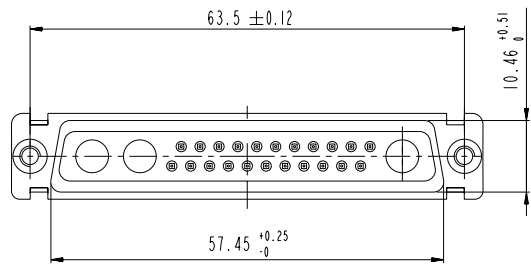


Floating signal contacts

www.fciconnect.com		surface ISO 1302	tolerance std ISO 406 ISO 1101	projection mm
		TOLERANCES UNLESS OTHERWISE SPECIFIED		
Dr M PESSON	2006/11/14	ANGULAR	0.X ±0.3	size A2 Scale 2:1
Eng P LEGARE	2006/11/14	LINEAR	0.XX ±0.1	ECN LS07-0273
Chr P LEGARE	2006/11/14	0° ±2°	0.XXX ±0.05	Spec ref
Appr P LEGARE	2006/11/14	Product family		
<b>TITLE</b> SUB MALE DMW mixed power 3 level wire wrap catalog no		<b>REV</b> C01-8637-1756 B	<b>Customer</b> sheet 5 of 7	

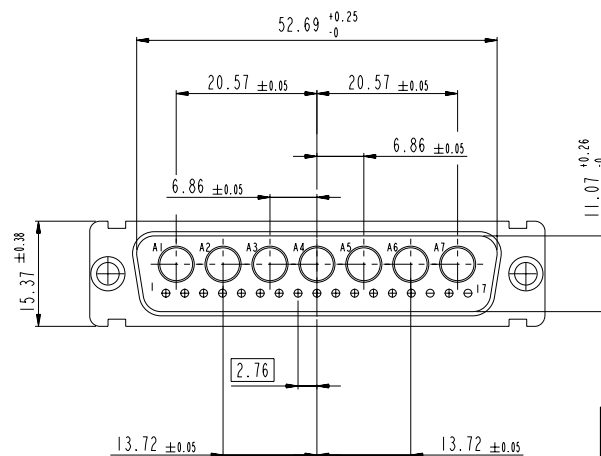
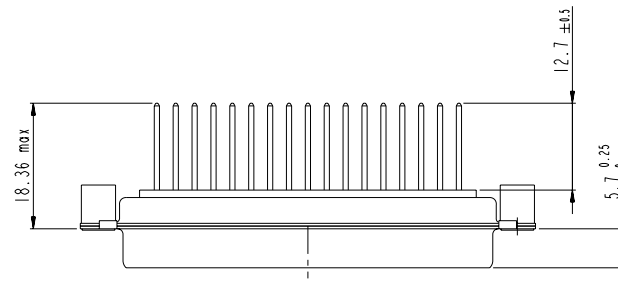
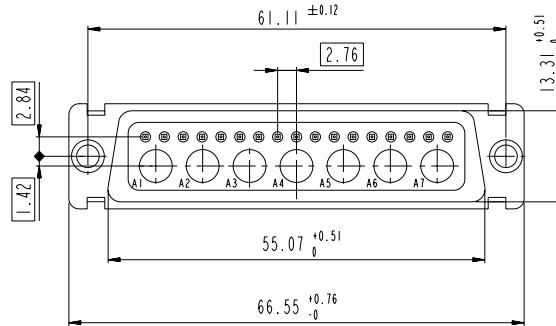
Copyright FCJ

25W3

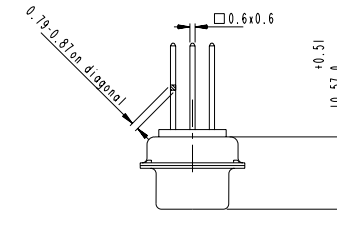


Floating signal contacts

24W7

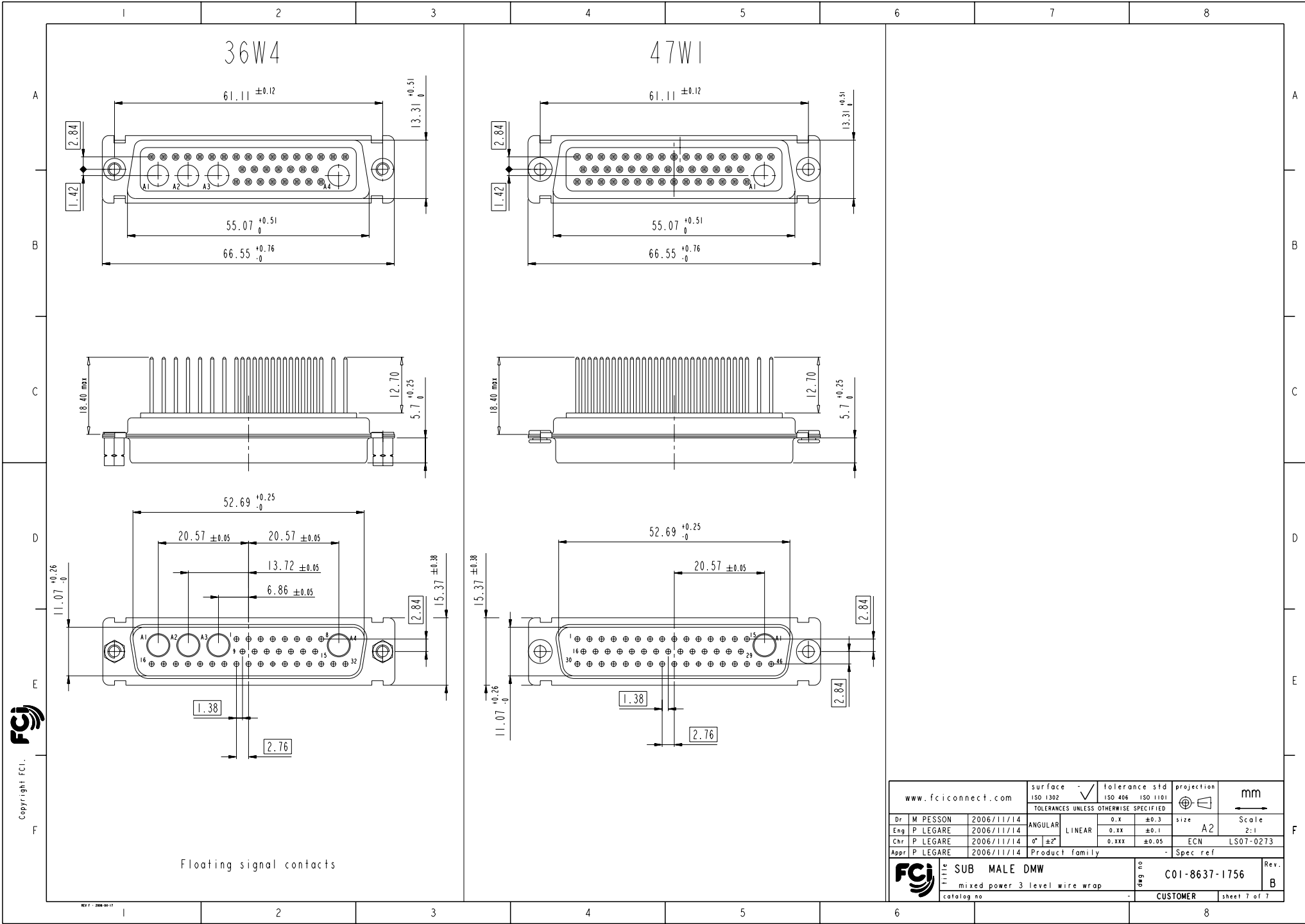


SIDE VIEW FOR LAYOUT: D



Copyright FCI.

www.fciconnect.com		surface -	tolerance std	projection	mm
		ISO 1302	ISO 406 ISO 1101		
		TOLERANCES UNLESS OTHERWISE SPECIFIED			
Dr	M PESSON	2006/11/14	ANGULAR	0.X ±0.3	size A2 Scale 2:1
Eng	P LEGARE	2006/11/14	LINEAR	0.XX ±0.1	
Chr	P LEGARE	2006/11/14	0° ±2°	0.XXX ±0.05	ECN LS07-0273
Appr	P LEGARE	2006/11/14	Product family	-	Spec ref
		SUB MALE DMW		dwg no	C01-8637-1756
		mixed power 3 level wire wrap		Rev.	B
catalog no		CUSTOMER		sheet 6 of 7	



Copyright FCJ

www.fciconnect.com		surface ISO 1302	tolerance std ISO 406 ISO 1101	projection mm
		TOLERANCES UNLESS OTHERWISE SPECIFIED		
Dr M PESSON	2006/11/14	ANGULAR	0.X ±0.3	size A2 Scale 2:1
Eng P LEGARE	2006/11/14	LINEAR	0.XX ±0.1	
Chr P LEGARE	2006/11/14	0° ±2°	0.XXX ±0.05	ECN LS07-0273
Appr P LEGARE	2006/11/14	Product family		Spec ref
FCJ		SUB MALE DMW		Rev. B
mixed power 3 level wire wrap		cat no	C01-8637-1756	
CUSTOMER		sheet 7 of 7		